

# Parts Catalog

## Nautilus Hi-Dump & Nautilus Hi-Dump CE Rider Scrubber/Sweeper

**Models:** Diesel, Gasoline, & LPG



**PREFACE**

Thank you for your purchase of the new industry standard for scrubber/sweepers. PowerBoss® takes great pride in offering the most dependable, reliable and best value in industrial power scrubbers and sweepers. We set the standard.

Our Customer Service Department would like to hear from you. If you see any errors, omissions or something that needs clarification in this Parts Catalog please let us know. We are working hard towards continually improving our processes to bring you the best you deserve. Please copy the form below, fill out and comment on how you found our catalog.

Thank you!  
*The PowerBoss Team*

Name: \_\_\_\_\_

Title: \_\_\_\_\_

Company Name: \_\_\_\_\_

Address: \_\_\_\_\_

Country: \_\_\_\_\_

Type of equipment or model number: \_\_\_\_\_

Comments: \_\_\_\_\_

\_\_\_\_\_

\_\_\_\_\_

Please return to:  
Customer Service Manager  
PowerBoss®, Minuteman International, Inc.  
14N845 U.S. Route 20  
Pingree Grove, Illinois 60140 USA

Phone: (800) 323-9420  
Email: [tech@powerboss.com](mailto:tech@powerboss.com)

This is the Parts Catalog for the PowerBoss® Nautilus Hi-Dump Scrubber/Sweeper machine.

This catalog covers all Standard Nautilus Hi-Dump machine variations beginning August 2015.

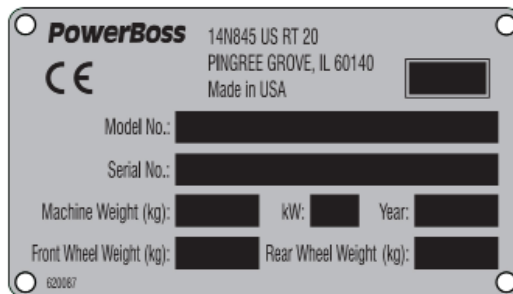
We believe this machine will provide excellent service for many years. Best results will be obtained if:

- The machine is operated with reasonable care.
- The machine is maintained regularly per the maintenance schedule provided in the User Manual.
- The machine is maintained with PowerBoss® supplied or equivalent parts.

All right side and left side references to the machine (except for engine) are determined by facing the direction of forward travel. The front of the engine or engine fan faces the front of the machine. Some hardware considered to be common or locally available has been omitted from the parts section to make this manual clear. Be sure to use equivalent hardware when replacement becomes necessary.

The Model and Serial Number of your machine is shown on the I.D. name plate. This information is needed when contacting Technical Support or when ordering parts. The I.D. plate is mounted on the left side wall of the operator seating area.

**Example I.D Plate:**



Parts may be ordered by phone, fax or e-mail from any PowerBoss® parts and service center. Before ordering parts or supplies, be sure to have your machine model number and serial number handy. For your convenience Fill out the data block below for future reference.

<b>MACHINE DATA</b> Fill out at installation	
Serial Number:	_____
Engine Serial Number:	_____
Sales Rep.:	_____
Date of Install:	_____

All information contained in this catalog is current at the time of printing. Minuteman International, Inc. reserves the right to make changes at any time without notice.

PowerBoss®, Minuteman International, Inc., Copyright 2014-2015, Printed in USA

## TECHNICAL SPECIFICATIONS

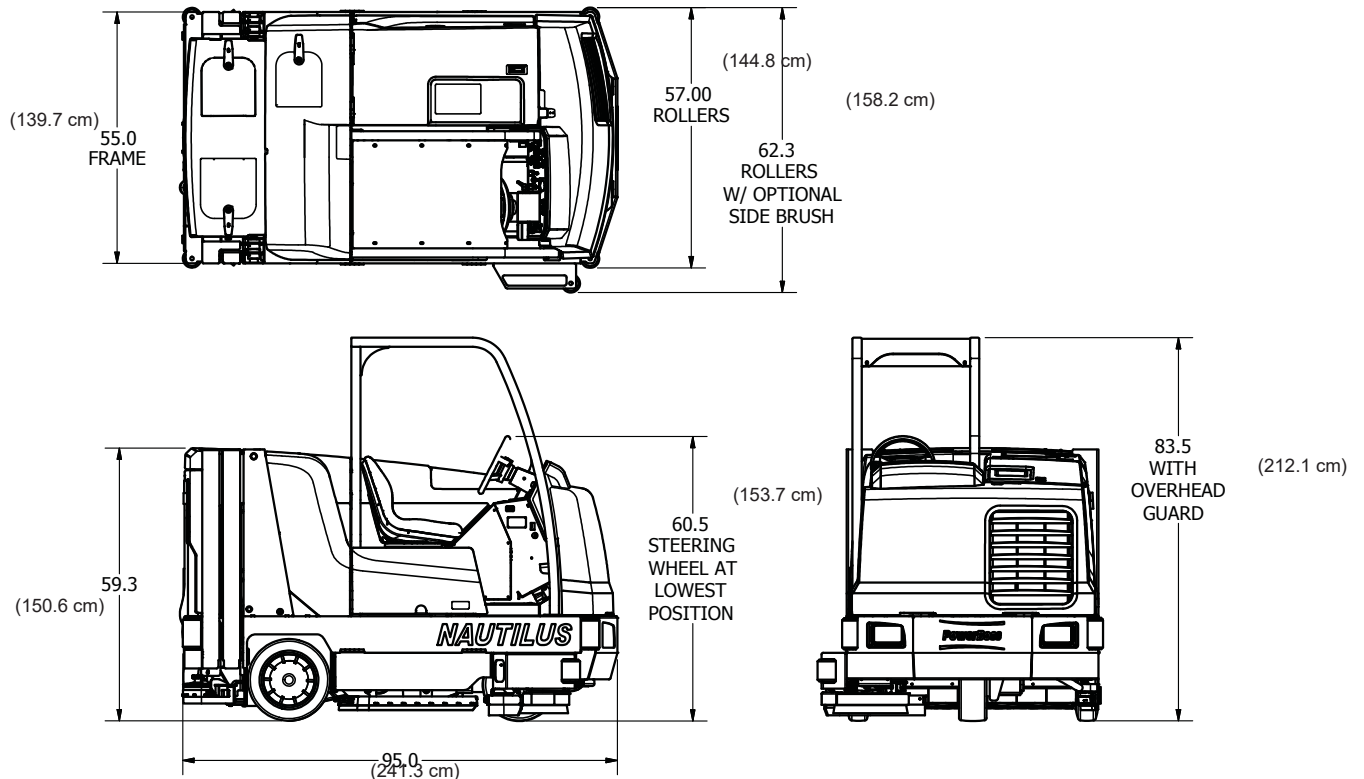
Model: Nautilus Hi-Dump Rider Scrubber/Sweeper and Nautilus Hi-Dump CE Rider Scrubber/Sweeper  
 Model No.: PB45HDSL, PB45HGAS, PB45HLP, PB45HDSLCE, PB45HGASCE,  
 PB45HLPCE, PB45HDSLUK, PB45HGASUK, PB45HLPUK

### GENERAL MACHINE SPECIFICATIONS

Length: . . . . . 95.0 in (241.3 cm)  
 Width with side scrub brush retracted: . . . 60.5 in (153.7 cm)  
 Width with side scrub brush extended: . . . 65.5 in (166.4 cm)  
 Height to lowest steering position: . . . . . 60.5 in (153.7 cm)  
 Height with overhead guard: . . . . . 83.5 in (212.1 cm)  
 Wheelbase: . . . . . 47.75 in (121.3 cm)  
 Front tires (molded): . . . . . 16 in x 6 in  
 . . . . . (40 cm x 15 cm)  
 Rear tires (press on): . . . . . 18 in x 5 in  
 . . . . . (45 cm x 12 cm)  
 Aisle width U-turn: . . . . . 8 ft - 11.7 in (273.6 cm)  
 Weight (Diesel engine) . . . . . 4,047 lb (1836 kg)  
 Weight (Gas & LPG engines) . . . . . 4,027 lb (1826 kg)  
 Maximum forward speed: . . . . . 7.7 mph (12.4 km/h)  
 Maximum reverse speed: . . . . . 4.0 mph (6.4 km/h)  
 Maximum climb angle (Traveling): . . . . . 10 deg. (17% grade)  
 Maximum climb angle (Scrubbing): . . . . . 8 deg. (14% grade)

### SCRUBBING SYSTEM

Cleaning path (main brushes) . . . . . 45 in (114 cm)  
 Cleaning path (w/optional side brush) . . . 60 in (152 cm)  
 Main brush diameter: . . . . . 12 in (30 cm)  
 Main brush length: . . . . . 45 in (114 cm)  
 Main brush speed: . . . . . 425 RPM  
 Main brush force: . . . . . 200 lb - 400 lb  
 . . . . . (90 kg - 181 kg)  
 Side scrub brush diameter: . . . . . 16 in (40 cm)  
 Side scrub brush speed: . . . . . 200 RPM  
 Solution Tank capacity: . . . . . 105 gal (397 L)  
 Recovery Tank capacity: . . . . . 105 gal (397 L)  
 Demister chamber capacity: . . . . . 17 gal (64 L)  
 (2)Debris trays, total capacity: . . . . . 2.1 ft³ (.059 m³)  
 Vacuum fan speed: . . . . . 11,500 RPM  
 Vacuum water lift: . . . . . 35 in (88 cm)



dimensions shown in inches (cm)

## CE DECLARATION OF CONFORMANCE

14N845 U.S. Route 20 · Pingree Grove, Illinois 60140 USA  
Phone: 800-323-9420 Fax: 847-683-5207  
A Member of the Hako Group

PowerBoss®  
The Power of Clean

- D EG-Konformitätserklärung** (entsprechend der EG-Richtlinie 2006/42/EG)
- GB EC Declaration of Conformity** (according to Directive 2006/42/EC)
- F Déclaration de conformité pour la CEE** (conforme à la directive de la CEE 2006/42/CEE)
- I Dichiarazione CE di Conformità** (ai sensi della direttiva CEE 2006/42)
- E CEE Declaración de Conformidad** (según la normativa de la CEE 2006/42/CE)

**PowerBoss Inc.** erklären in alleiniger Verantwortung, daß das Produkt,  
declare under our sole responsibility, that the product,  
déclarons sous notre seule responsabilité que le produit,  
Dichlara sotto la propria responsabilità che il prodotto,  
declaramos bajo responsabilidad propia que el producto,

<b>Machine</b>	Nautilus Hi Dump Diesel	(PB45HDSLCE, PB45HDSLUK)
	Nautilus Hi Dump Gas	(PB45HGASCE, PB45HGASUK)
	Nautilus Hi Dump LP	(PB45HLPCE, PB45HLPUK)

**D** auf das sich diese Erklärung bezieht, den einschlägigen grundlegenden Sicherheits- und Gesundheitsanforderungen der EG-Richtlinie 2006/42/EG, sowie den Anforderungen gemäß 2014/ 30 /EG entspricht. Zur sachgerechten Umsetzung der in den EG-Richtlinien genannten Sicherheits- und Gesundheitsanforderungen wurde(n) folgende Norm(en) und /oder technische Spezifikation(en) herangezogen:

**GB** to which this declaration relates corresponds to the relevant basic safety and health requirements of the Directive 2006/42/EC, and to the requirements of the other relevant Directives 2014/ 30 /EC. For the relevant implementation of the safety and health requirements mentioned in the Directives, the following standard(s) and/or technical specification(s) has (have) been respected:

**F** faisant l'objet de la déclaration est conforme aux prescriptions fondamentales en matière de sécurité et de santé stipulées dans la Directive de la CEE 2006/42/CEE, ainsi qu'aux prescriptions des autres Directives de la CEE établies dans ce domaine 2014/ 30 /CEE. Pour mettre en pratique dans les règles de l'art les prescriptions en matière de sécurité et de santé stipulées dans les Directives de la CEE, il a été tenu compte de la/des norme(s) et/ou de la/des spécification(s) technique(s) suivante(s):

**I** é conforme ai requisiti essenziali di sicurezza e di tutela della salute di cui alla Direttiva CEE 2006/42 e sue successive modifiche, nonché ai requisiti di cui alle seguenti Direttive CEE 2014/ 30 . Per la verifica della Conformità di cui alle Direttive sopra menzionate, sono state consultate le seguenti, Norme Armonizzate EN:

**E** al cual se refiere la presente declaración corresponde a las exigencias básicas de la normativa de la CEE 2006/42/CE y referentes a la seguridad y a la sanidad, así como a las exigencias de la demás normativas de la CEE 2014/ 30 /CE. Con el fin de realizar de forma adecuada las exigencias referentes a la seguridad y a la sanidad mencionadas en las normativas de la CEE fué(ron) consultada(s) la(s) siguiente(s) normativa(s) y especificación(es) técnicas(s):

**Date** 10/5/2017

  
Jack Hill  
Managing Director

Name der autorisierten Person, die für PowerBoss die technischen Unterlagen zusammenstellt:

Name of the person authorized for PowerBoss to compile the technical file:

Personne chargée du suivi du dossier technique:

Nome della persona autorizzata da PowerBoss a compilare il file tecnico:

Nombre de la persona autorizada por PowerBoss para la creación del fichero técnico: Sébastien Filippone

D, GB, F, I, E

**TABLE OF CONTENTS**

**PREFACE** ..... 2

**TECHNICAL SPECIFICATIONS** ..... 4

    GENERAL MACHINE SPECIFICATIONS ..... 4

    SCRUBBING SYSTEM ..... 4

**CE DECLARATION OF CONFORMANCE** ..... 5

**PARTS BREAKDOWN** ..... 10

    FRAME GROUP (770105) ..... 10

    BRAKE GROUP (730101) ..... 12

    REAR WHEEL GROUP (770109) ..... 14

    FRONT WHEEL GROUP (730102) ..... 15

    STEERING FORK GROUP (730103) ..... 16

    CONSOLE GROUP (730152) ..... 18

    STEERING COLUMN GROUP (730104) ..... 20

    INSTRUMENT PANEL GROUP - DIESEL (770108) ..... 22

    INSTRUMENT PANEL GROUP - GAS (770107) ..... 24

    INSTRUMENT PANEL GROUP - LPG (770106) ..... 26

    HI-DUMP INSTRUMENTATION GROUP ONE (770122) ..... 28

    HI-DUMP INSTRUMENTATION GROUP TWO (770123) ..... 30

    ELECTRICAL BOX GROUP - DIESEL (730156) ..... 32

    DIRECTIONAL CONTROL GROUP (730110) ..... 34

    PUMP LINKAGE GROUP (730111) ..... 36

    SCRUB HEAD GROUP (730112) ..... 38

    SCRUB BRUSH LIFT GROUP (730113) ..... 40

    SCRUB BRUSH IDLER GROUP (730114) ..... 42

    BRUSH DOOR GROUP (730115) ..... 44

    SQUEEGEE LIFT GROUP (770100) ..... 46

    SQUEEGEE LINKAGE GROUP (770101) ..... 48

    SQUEEGEE GROUP (730118) ..... 50

    SIDE SQUEEGEE GROUP - RH (730120) ..... 52

    SIDE SQUEEGEE GROUP - LH (730157) ..... 54

    SOLUTION TANK GROUP (770104) ..... 56

    SOLUTION CONTROL GROUP (770114) ..... 58

    RECOVERY TANK GROUP (770102) ..... 60

    RECOVERY TANK DRAIN GROUP (770124) ..... 62

    HOPPER GROUP (770113) ..... 64

    HOPPER LIFT GROUP (770111) ..... 66

    HOPPER DUMP DOOR GROUP (770112) ..... 68

    REAR BUMPER GROUP (770115) ..... 70

    BUMPER LIFT GROUP (770110) ..... 72

    IMPELLER GROUP (730126) ..... 74

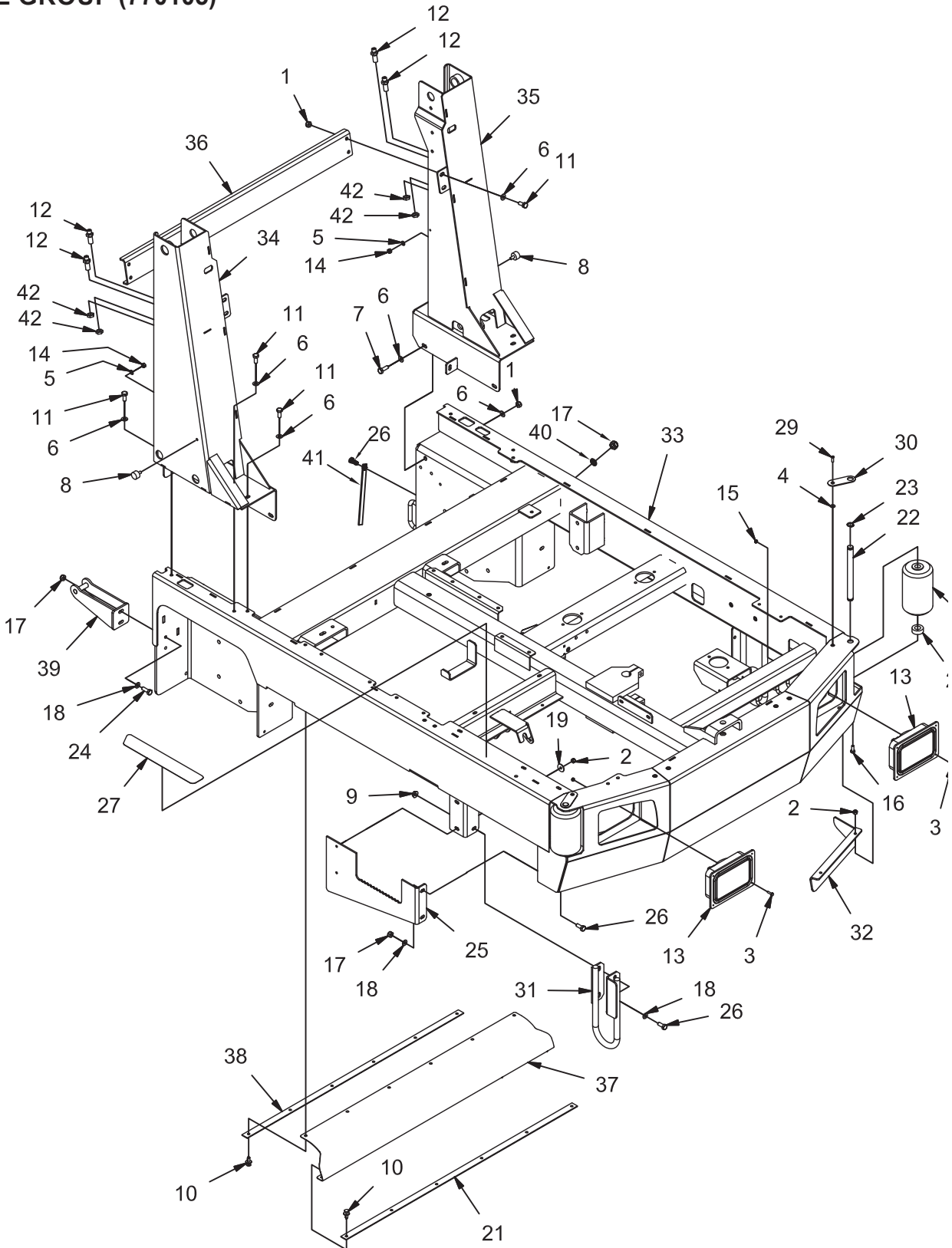
IMPELLER HYDRAULIC MANIFOLD GROUP (770116) .....	76
HYDRAULIC RESERVOIR GROUP (730127) .....	78
HYDRAULIC PUMP GROUP (730136) .....	80
HYDRAULIC VALVE GROUP (730137) .....	82
HYDRAULIC MANIFOLD COMPONENTS GROUP (730170) .....	84
ENGINE MOUNT GROUP - DIESEL (730128) .....	86
ENGINE MOUNT GROUP - GAS (730164) .....	88
ENGINE MOUNT GROUP - LPG (730163) .....	90
AIR CLEANER GROUP - DIESEL (730131) .....	92
AIR CLEANER GROUP - GAS (730129) .....	94
AIR CLEANER GROUP - LPG (730130) .....	96
RADIATOR GROUP (730132) .....	98
RADIATOR OVERFLOW BOTTLE GROUP (730133) .....	100
OIL COOLER GROUP (730134) .....	102
EXHAUST GROUP - DIESEL (730154) .....	104
EXHAUST GROUP - GAS / LP (730178) .....	106
FUEL TANK MOUNT GROUP - DIESEL (730140) .....	108
FUEL TANK MOUNT GROUP - GAS (730139) .....	110
LPG TANK MOUNT GROUP (730138) .....	112
CE LPG TANK MOUNT GROUP (730138-CE) .....	114
FUEL LINE GROUP - DIESEL (730153) .....	116
FUEL COMPONENT GROUP - GAS (730141) .....	118
THROTTLE SOLENOID GROUP - DIESEL (730151) .....	120
BATTERY GROUP (730142) .....	122
FRONT COVER GROUP (730143) .....	124
TOP COVER GROUP (730144) .....	126
SIDE DOOR GROUP (731914) .....	128
SEAT DOOR GROUP (731913) .....	130
SEAT MOUNT GROUP (730147) .....	132
REAR STEP GROUP, HD (770139) .....	134
HYDRAULIC HOSE GROUP (730148) .....	136
HYDRAULIC HI-DUMP HOSE GROUP (770118) .....	138
HYDRAULIC HI-DUMP HOSE ROUTING (770119) .....	140
HOSE CLAMP GROUP ONE (770120) .....	142
HOSE CLAMP GROUP TWO (770120) .....	144
DECAL GROUP (770121) .....	146
ELECTRICAL GROUP (730116-HD) .....	148
BRUSH/BROOM GROUP (730175) .....	150
<b>OPTIONS - PARTS BREAKDOWN .....</b>	<b>152</b>
OPTION - SIDE BRUSH GROUP (730000) .....	152

OPTION - SIDE BRUSH LIFT GROUP (730001) . . . . .	154
OPTION - SIDE BRUSH SOLUTION CONTROL GROUP (730002) . . . . .	156
OPTION - SIDE BRUSH HYDRAULIC HOSE GROUP (730011). . . . .	158
OPTION - SIDE BRUSH SCRUB HEAD GROUP (730028) . . . . .	160
OPTION - SIDE BRUSH STEERING COLUMN GROUP (730029) . . . . .	161
OPTION - OVERHEAD GUARD GROUP (730003) . . . . .	162
OPTION - LIGHT GROUP ON OVERHEAD GUARD (730189) . . . . .	164
OPTION - LIGHT GROUP ON SOLUTION TANK (730189-4) . . . . .	166
OPTION - LIGHT GROUP WHEN CHEMICAL METERING AND RESERVE LPG TANK INSTALLED (730189-5) . . . . .	168
OPTION - SUSPENSION SEAT GROUP (730007) . . . . .	170
OPTION - SEAT BELT (FOR SUSPENSION SEAT) GROUP (730009) . . . . .	172
OPTION - BACKUP ALARM GROUP (730008) . . . . .	174
OPTION - SEAT BELT (FOR STANDARD SEAT) GROUP (730010) . . . . .	176
OPTION - CHEMICAL METERING GROUP (730015) . . . . .	178
OPTION - FIRE EXTINGUISHER GROUP (730016) . . . . .	180
OPTION - AUTO FILL GROUP (730017) . . . . .	182
OPTION - HEATED SOLUTION GROUP, LP (730057) . . . . .	184
OPTION - URETHANE SQUEEGEE BLADE GROUP (730024) . . . . .	186
OPTION - URETHANE SIDE BRUSH SQUEEGEE GROUP (730025) . . . . .	188
OPTION - SEAT SWITCH (730031) . . . . .	190
OPTION - SIDE BROOM GROUP (730032) . . . . .	192
OPTION - SIDE BROOM LIFT AND ADJUSTMENT GROUP (730033) . . . . .	194
OPTION - SIDE BROOM HYDRAULIC HOSE GROUP (730034) . . . . .	196
OPTION - SIDE BRUSH HYDRAULIC HOSE ROUTING (730038) . . . . .	198
OPTION - PRESSURE WASHER PUMP GROUP (730041-1) . . . . .	200
OPTION - PRESSURE WASHER HOSE AND WAND GROUP (730041-2) . . . . .	202
OPTION - PRESSURE WASHER HYDRAULIC HOSE GROUP (730041-3) . . . . .	204
OPTION - LOW LP INDICATOR GROUP (730042) . . . . .	206
OPTION - SIDE BROOM WATER MIST GROUP (730043) . . . . .	208
OPTION - REAR SQUEEGEE GUARD (730048) . . . . .	210
OPTION - FRONT WHEEL FENDER (730052) . . . . .	212
OPTION - RESERVE LPG TANK GROUP (730160) . . . . .	214
OPTION - BACKUP ALARM GROUP - CM, RESERVE LPG IN (730169) . . . . .	216
OPTION - DUST SUPPRESSION (731482) . . . . .	218
OPTION - DRY SWEEP (770002) . . . . .	220
PUMP SUB GROUP (770002-1) . . . . .	220
SKIRT SUB GROUP (770002-2) . . . . .	222
WATER MIST SUB GROUP (770002-4) . . . . .	224
MISCELLANEOUS ADDITIONAL OPTIONS . . . . .	226



<b>LAYOUTS - ELECTRICAL/HYDRAULIC</b> .....	<b>228</b>
ELECTRICAL SCHEMATIC LAYOUT .....	228
ELECTRICAL SCHEMATIC LAYOUT (POINT TO POINT WIRING).....	233
HYDRAULIC SYSTEM LAYOUT .....	238
HYDRAULIC SYSTEM LAYOUT WITH OPTIONAL SIDE SCRUB BRUSH.....	240
TIMER DIP-SWITCH SETTINGS.....	242

**PARTS BREAKDOWN**  
**FRAME GROUP (770105)**

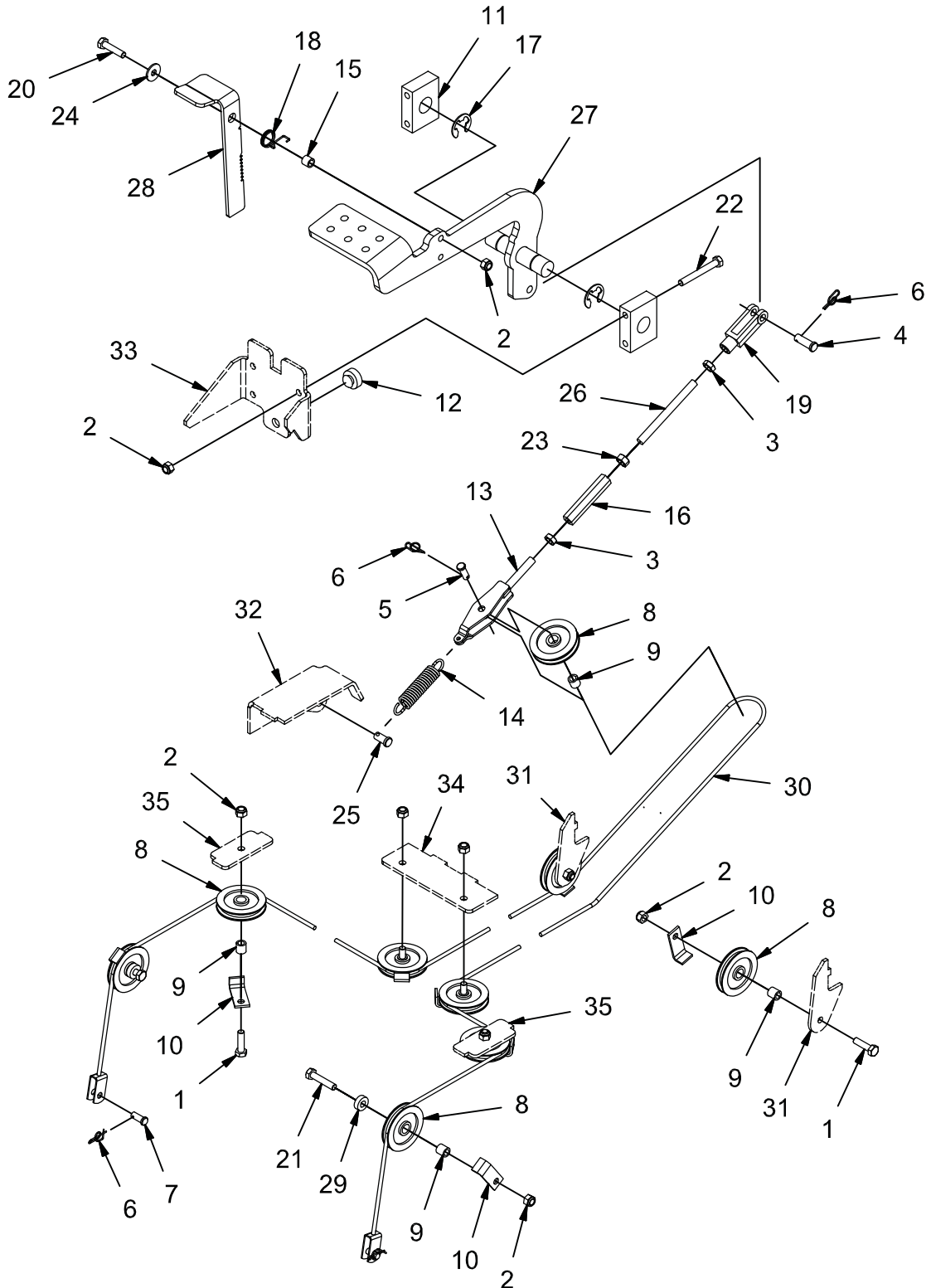


REV F

**FRAME GROUP (770105)**

Parts List 770105			
ITEM	PART NUMBER	QTY	DESCRIPTION
1	12040069	8	NUT, M10-1.50 ESN
2	12040259	4	NUT, M8-1.25 ESN SS
3	3400044	8	SCR-HEX, #10-32 X .75 ZP
4	3400089	2	WASHER, 1/4 .625 X .281 X .063
5	3400102	2	LOCK WASHER, 5/16 HS MED
6	3400385	18	WASHER, 3/8, BELLEVILLE
7	3401051	4	BOLT, M10-1.50 X 30 HH
8	600220	2	BUMPER, 1.00 X .625 T
9	600936	4	NUT, M10-1.50 FLNG
10	600965	12	FASTENER, PRESS-IN
11	620082	10	BOLT, M10-1.25 X 25 HH ZP
12	675632	4	FTG, STR, BULKHEAD -4 ORFS TO -4 ORFS
13	681044	2	HEADLIGHT 12V
14	711319	2	NUT, HEX 5/16-18
15	711350	8	NUT, 10-32, ESN
16	717030	2	BOLT, M8-1.25 X 20 HH SS
17	730339	5	NUT, M10-1.50 ESN SS
18	730344	8	WASHER, M10 SS
19	730526	2	WASHER, M8 FENDER SS
20	730719	2	ROLLER
21	730830	1	RETAINER, SEAL
22	730876	2	PIN, ROLLER
23	730877	2	RETAINING RING, EXT, .750
24	730878	2	BOLT, M10-1.50 X 30 HH SS
25	730919	1	ASSEMBLY, COVER
26	730958	7	BOLT, M10-1.50 X 25 HH SS
27	730967	1	PAD, STEP
28	730975	2	SPACER, .813 B 1.50 OD .56 T
29	731382	2	SCREW, M6-1.00 X 20 FLAT SHCS ZP
30	731388	2	RETAINER, ROLLER PIN
31	731509	1	WELDMENT, RIGHT GUARD
32	731559	1	GUARD, EXHAUST
33	770301-1	1	ASSEMBLY, HIGH DUMP FRAME
34	770381-1	1	WELDMENT, RH PILLAR
35	770388	1	WELDMENT, LH PILLAR
36	770393	1	CHANNEL, CROSS
37	770541	1	SEAL, HOPPER
38	770542	1	RETAINER, SEAL
39	770548	1	WELDMENT, STRIKER
40	600946	1	WASHER-INT LOCK 3/8 STAR
41	730979-2	1	STRAP, STATIC
40	PART OF 675632	4	NUT

**BRAKE GROUP (730101)**

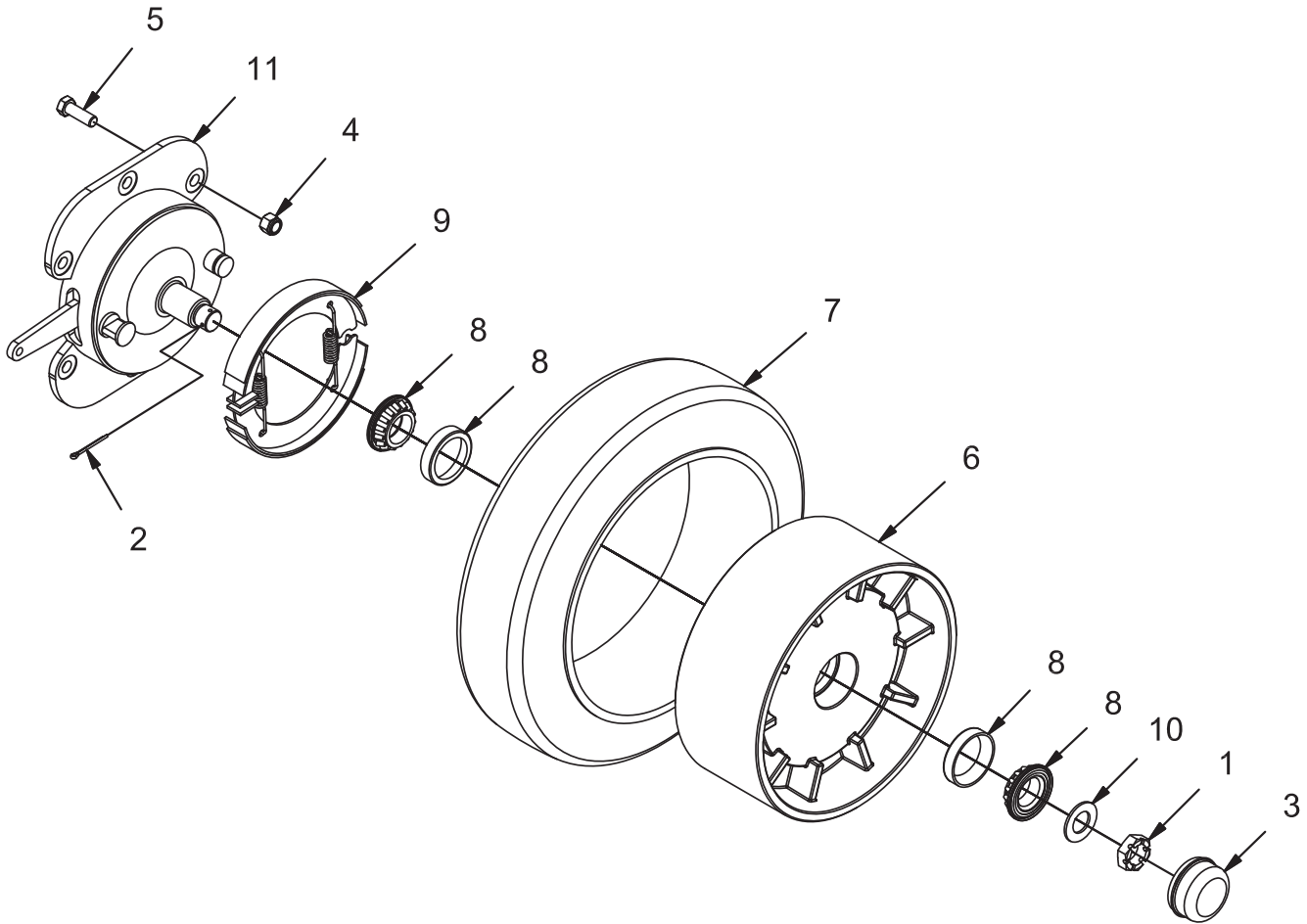


REV \*

**BRAKE GROUP (730101)**

Parts List 730101			
ITEM	PART NUMBER	QTY	DESCRIPTION
1	11038254	6	BOLT, M8-125 X 30 HH
2	12040051	13	NUT, M8-1.25 ESN
3	3400075	2	NUT, HEX JAM 3/8-24
4	3400117	1	PIN, CLEVIS 3/8 X 1.125
5	3400118	1	PIN, CLEVIS, .313 X .88
6	3400125	4	RUE-RING, .375
7	450034	2	PIN, CLEVIS, .313 X .75
8	600113	9	PULLEY, .50 B, 2.00 D, .44 T
9	600114	9	SPACER, .328 B .498 OD .500 T
10	600115	8	RETAINER, CABLE
11	600116	2	BLOCK, BRAKE PIVOT
12	600117	1	BUMPER, 1.00 X .339 T
13	600121	1	CLEVIS, BRAKE PULLEY
14	600127	1	SPRING, EXT, .105 W .75 OD 3.50 L
15	600315	1	SPACER, .344 B .485 OD .425 T
16	600338	1	TURNBUCKLE, .375
17	600570	2	E-RING, .88
18	600809	1	SPRING, TORSION
19	600813	1	CLEVIS, 3/8-24
20	600918	1	BOLT, M8-125 X 35 HH
21	600919	2	BOLT, M8-1.25 X 40 HH
22	600921	4	BOLT, M8-1.25 X 65 HH
23	600938	1	NUT, 3/8-24 LH
24	600940	1	WASHER, M8 FENDER
25	711679	1	PIN, CLEVIS, .375 X .75
26	730369	1	ROD, BRAKE ADJ
27	730370	1	WELDMENT, BRAKE PEDAL
28	730372	1	PEDAL, PARKING BRAKE
29	730374	2	SPACER, .344 ID .75 OD .25 T
30	730375	1	CABLE, BRAKE
31	REF.	-	FRAME
32	REF.	-	FRAME
33	REF.	-	CONSOLE
34	REF.	-	FRAME
35	REF.	-	FRAME

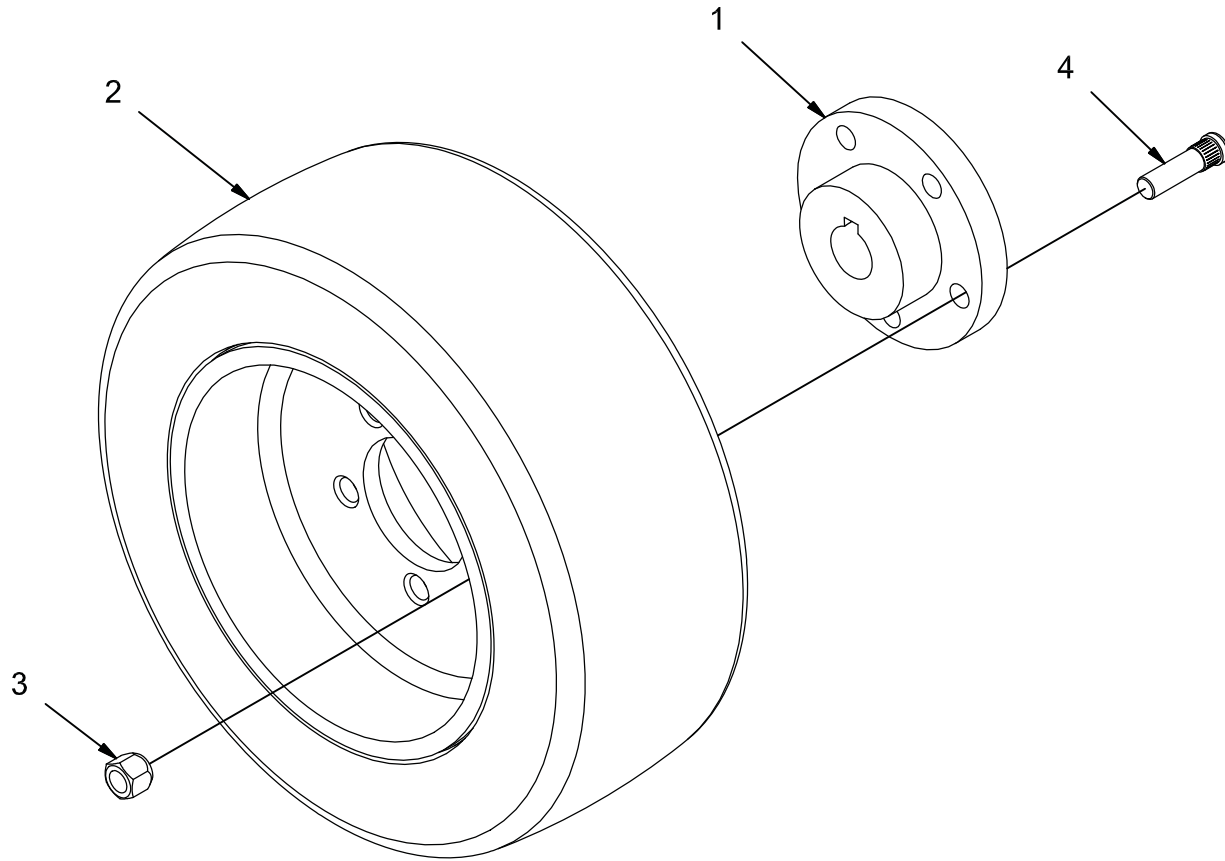
**REAR WHEEL GROUP (770109)**



Parts List 770109			
ITEM	PART NUMBER	QTY	DESCRIPTION
1	3400223	2	NUT, 1-20 SLOTTED ZP
2	380-632-20	2	PIN, COTTER .125 X 1.50 ZP
3	383250	2	GREASE CAP
4	711376	12	NUT, FIBER INSERT 1/2-13
5	712047	12	SCREW, 1/2-13 X 1.50 HHC
6	730314	2	RIM, 18"
7	730359	2	TIRE, PRESS ON, 18 X 5
	731420		ASSEMBLY, TIRE AND RIM (ITEMS 6 AND 7)
8	730353	4	BEARING SET, 1.38 BORE CUP AND CONE
9	730357	-	BRAKE SHOE REPLACEMENT KIT
10	730358	2	SPACER, 1.03 B 1.88 OD .105 T
11	730316	2	ASSEMBLY, BRAKE-AXLE

REV \*

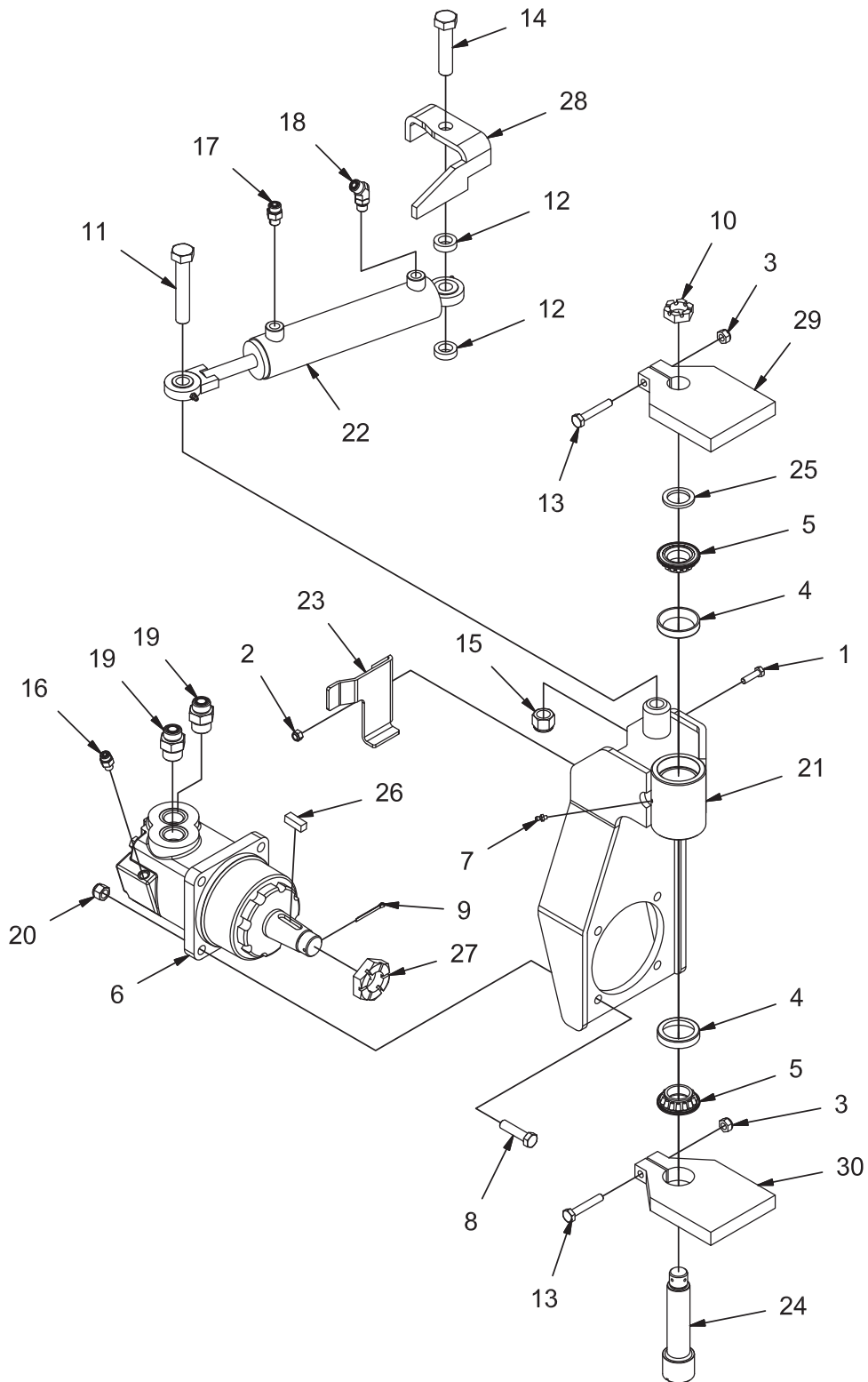
**FRONT WHEEL GROUP (730102)**



Parts List 730102			
ITEM	PART NUMBER	QTY	DESCRIPTION
1	3316056	1	HUB, REAR WHEEL PNTD FULL
2	3316330	1	ASSEMBLY, TIRE AND RIM 16" PRESS-ON
3	3316057	5	NUT, LUG, 9/16-18
4	713526	5	STUD, WHEEL

**REV A**

STEERING FORK GROUP (730103)



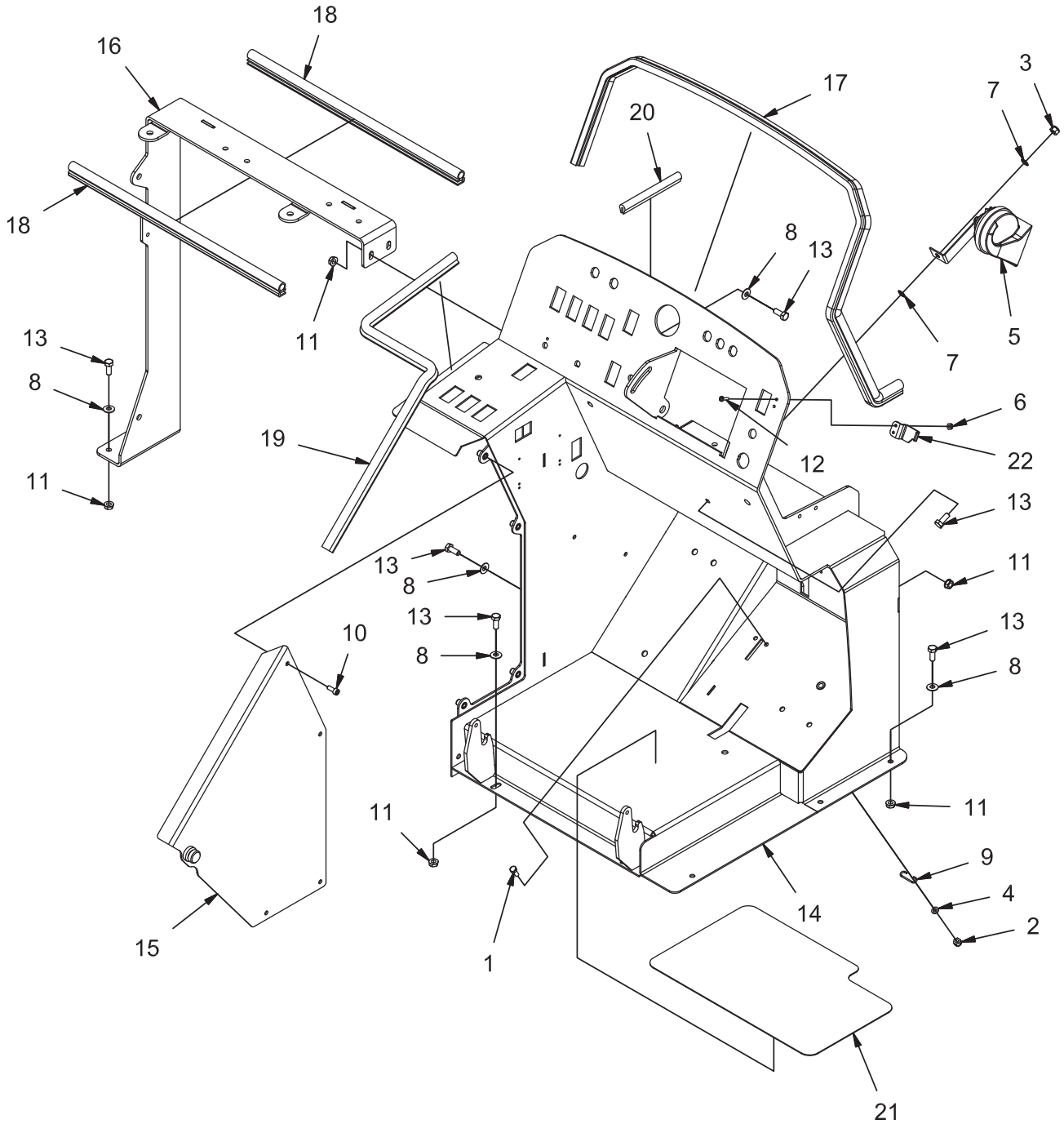
REV C



**STEERING FORK GROUP (730103)**

Parts List 730103			
ITEM	PART NUMBER	QTY	DESCRIPTION
1	11038254	1	BOLT, M8-125 X 30 HH
2	12040051	1	NUT, M8-1.25 ESN
3	12040069	2	NUT, M10-1.50 ESN
4	3300470	2	BEARING, PIVOT BEARING - CUP
5	3300471	2	BEARING - CONE W/SEAL
6	3305108	1	MOTOR, HYD. WHEEL
7	3400012	3	GREASE ZIRK
8	3400020	4	BOLT, 1/2-13 X 2.00 HH
9	3400122	1	COTTERPIN .125 X 2.00
10	3400223	1	NUT, 1-20 SLOTTED ZP
11	731426	1	BOLT, 3/4-10 X 4.25 HH STL ZP
12	731427	2	SPACER, .766 B 1.25 OD .375 T
13	600925	2	BOLT, M10-1.50 X 60 HH
14	600932	1	BOLT, 3/4-10 X 3.25 HH
15	620059	1	NUT, 3/4-10 FIBER INSERT STL ZP
16	675508	1	FITTING, STR, 4 ORFS - 4-SAE
17	675515	1	FITTING, STR, 6 ORFS - 6 SAE
18	675552	1	FITTING, 45, 6 ORFS - 6 SAE
19	675578	2	FTG, STR, -12 ORFS TO -12 SAE
20	711376	4	NUT, FIBER INSERT 1/2-13
21	730300	1	WELDMENT, STEERING FORK
22	730307	1	CYLINDER, STEERING
23	730312	1	RETAINER, HOSE
24	730351	1	PIN, PIVOT
25	730352	1	SPACER, 1.255 B 1.75 OD .166 T
26	PART OF 3305108	1	KEY .44 SQ X 1.25
27	PART OF 3305108	1	NUT 1.25-18
28	REF.	-	FRAME
29	REF.	-	FRAME
30	REF.	-	FRAME

CONSOLE GROUP (730152)

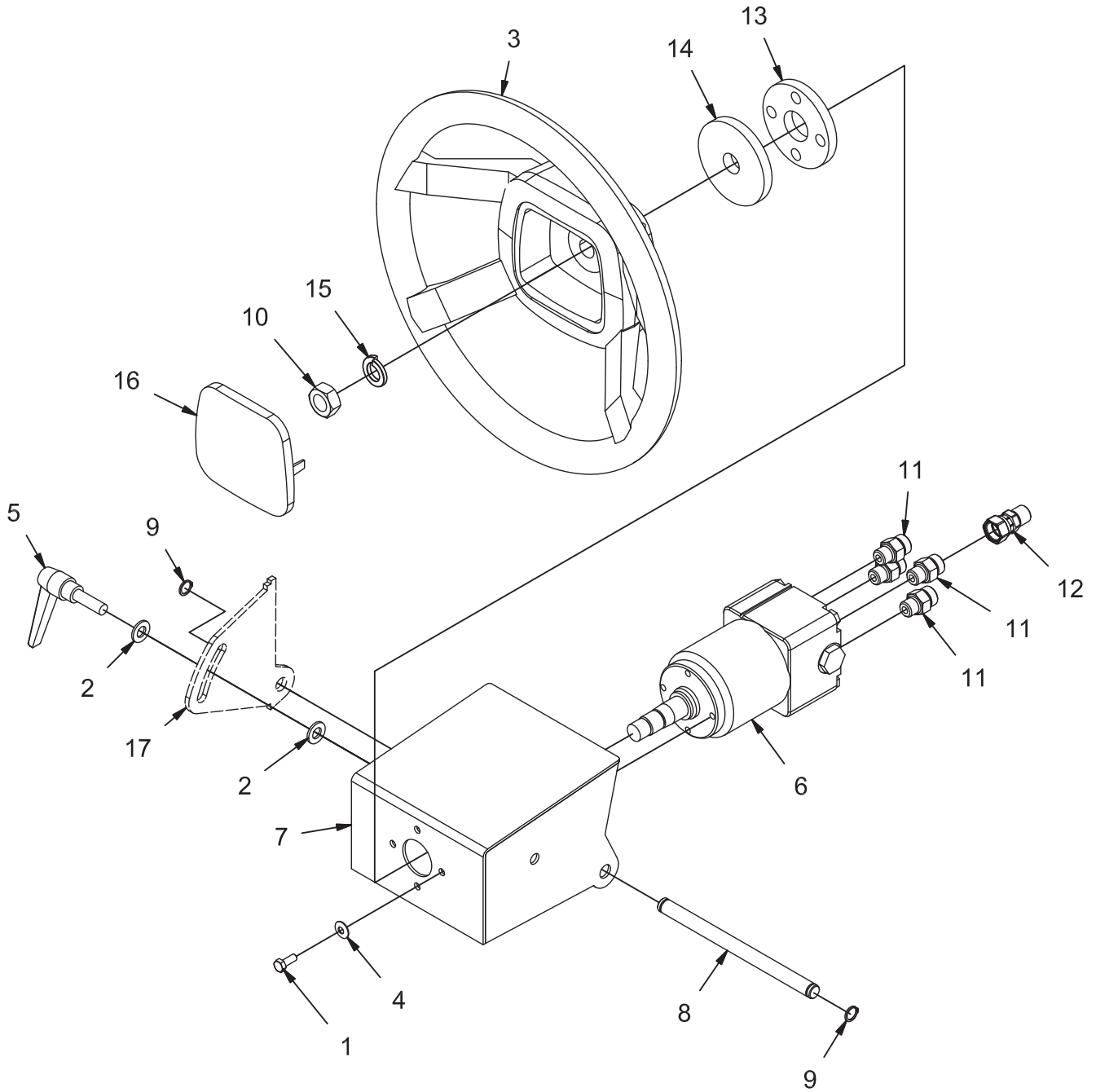


REV K

**CONSOLE GROUP (730152)**

Parts List 730152			
ITEM	PART NUMBER	QTY	DESCRIPTION
1	11038072	2	BOLT, M6-1.00 X 16 HH
2	12040044	2	NUT, M6-1.00 ESN
3	12040259	1	NUT, M8-1.25 ESN SS
4	12310033	2	WASHER, M6
5	3300379	1	HORN, 12V
6	3400082	2	NUT, FIBER INSERT #8-32
7	3400273	2	WASHER, STAR, .31, INT. ZP
8	3400384	11	WASHER, 5/16 BELLEVILLE
9	600125	1	CATCH, PARKING BRAKE
10	600912	4	BOLT, M6-1.00 X 16 SHCS
11	600934	11	NUT, M8-1.25 FLNG
12	710230	2	SCREW, #8-32 X .62 PAN HD
13	717024	12	BOLT, M8-1.25 X 20 HH
14	730376-1	1	ASSEMBLY, CONSOLE
15	730396	1	WELDMENT, CONSOLE COVER
16	730401	1	WELDMENT, COVER FRAME
17	730536	1	SEAL, BULB, 50.50 LG
18	730537	2	SEAL, BULB
19	730538	1	SEAL, BULB, 30.00 LG
20	730543	1	EDGING, 1/8 X 5.25"
21	730988	1	PAD, FLOOR
22	731435	1	W/D, CONSOLE, STRIKER

STEERING COLUMN GROUP (730104)

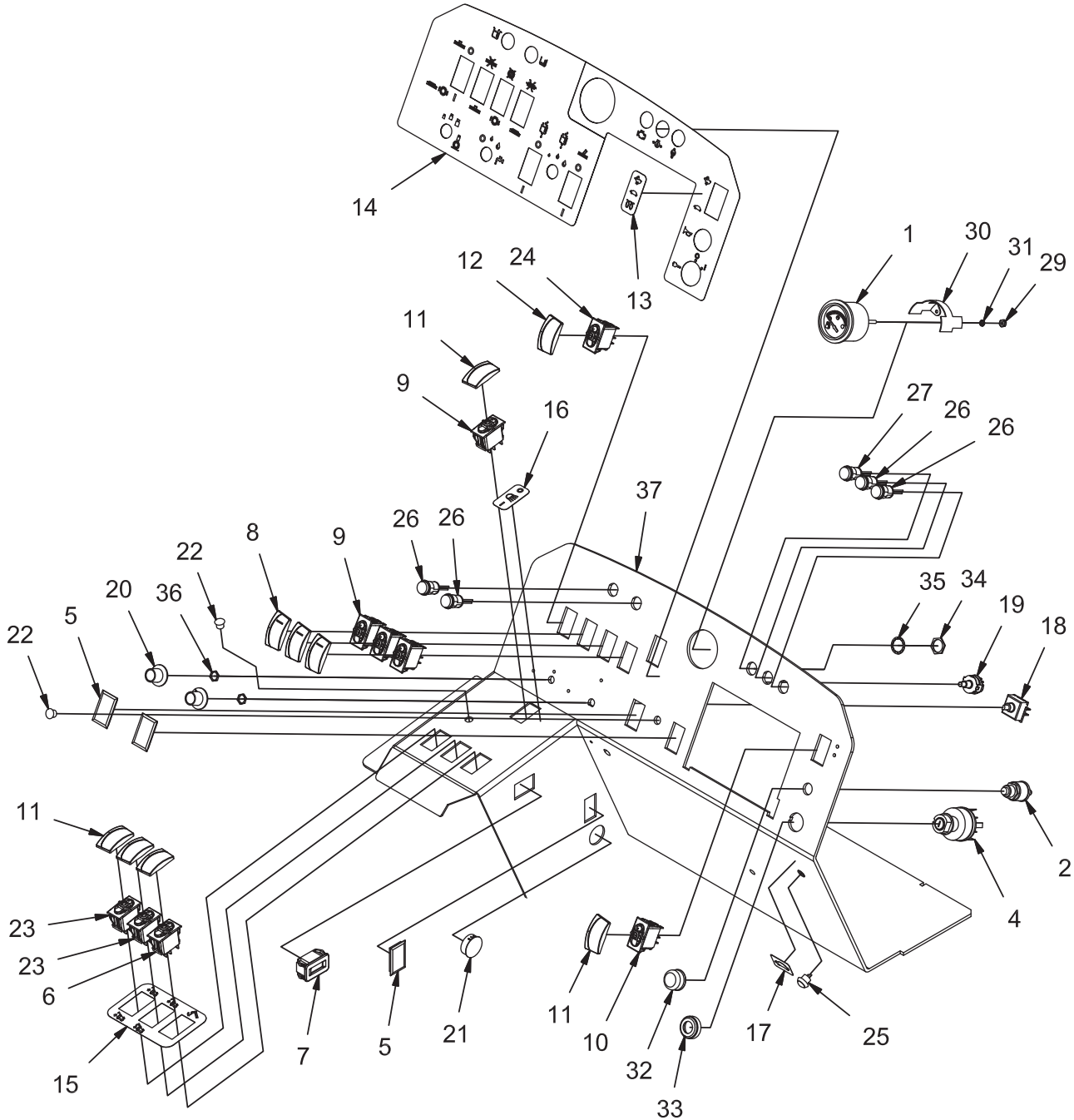


REV C

**STEERING COLUMN GROUP (730104)**

Parts List			
ITEM	PART NUMBER	QTY	DESCRIPTION
1	11038072	4	BOLT, M6-1.00 X 16 HH
2	12310058	2	WASHER, M10
3	3338215	1	STEERING WHEEL
4	3400383	4	WASHER, 1/4 BELLEVILLE
5	600260	1	KNOB, LEVER
6	600368	1	STEERING UNIT
7	600465	1	WELDMENT, STEERING MNT
8	600516	1	SHAFT, ROLLER
9	600569	2	RETAINING RING, EXT .50 HD
10	620057	1	NUT, JAM, M16-1.50 STL ZP
11	675515	4	FITTING, STR, 6 ORFS - 6 SAE
12	675636	1	FTG-ORFS ORIFICE .078 #6
13	690152	1	DUST RING, STEERING
14	690160	1	DUST RING, STEERING, UPPER
15	712315	1	WSR-HELI .64 X 1.26 X .06 PL
16	PART OF 3338215	1	COVER, STEERING WHEEL
17	REF	1	FRAME

INSTRUMENT PANEL GROUP - DIESEL (770108)

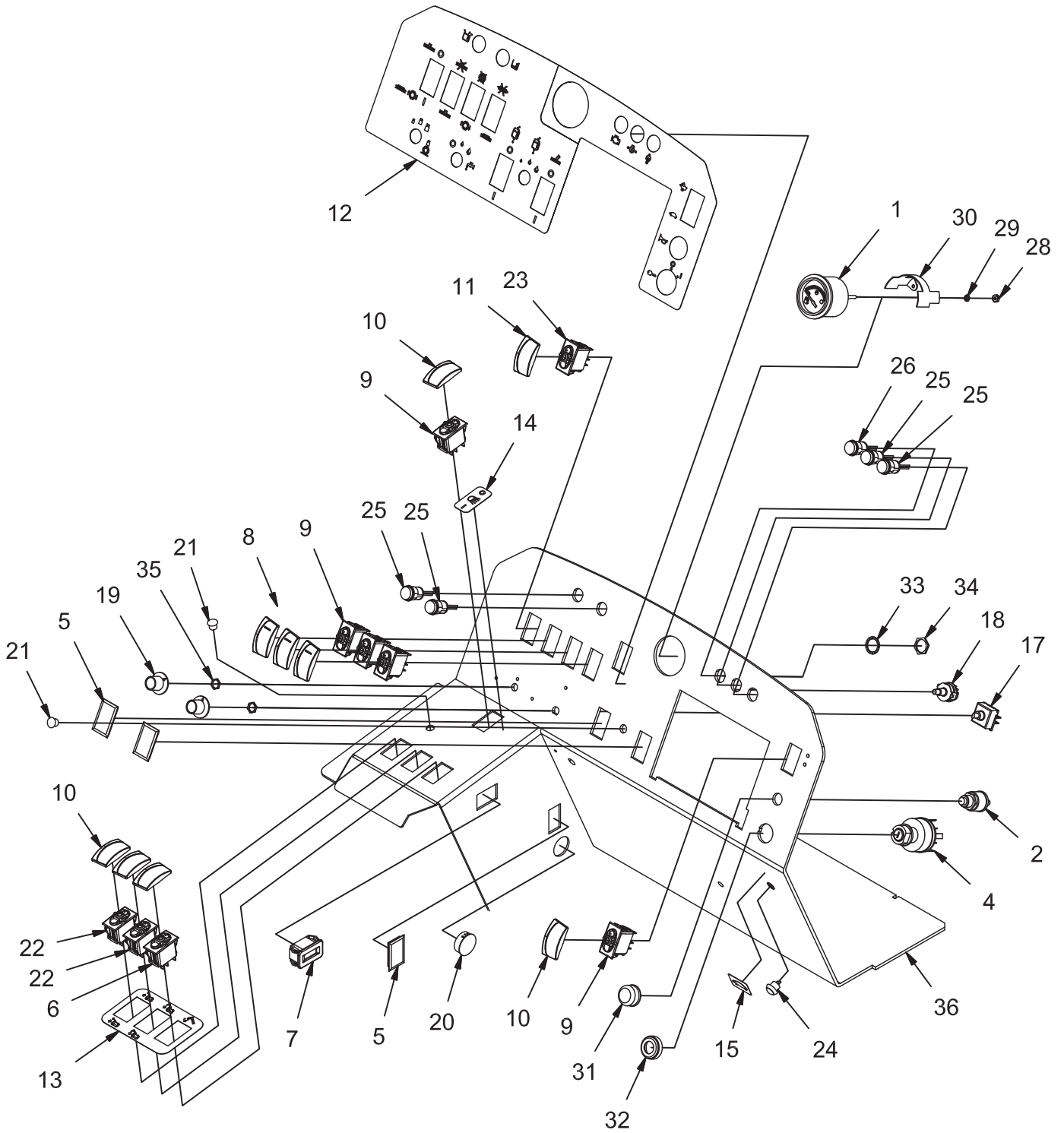


REV D

**INSTRUMENT PANEL GROUP - DIESEL (770108)**

Parts List 770108			
ITEM	PART NUMBER	QTY	DESCRIPTION
1	3300382	1	GAUGE, FUEL
2	3300441	1	SWITCH, MOMENTARY
3	3301345-1	1	WIRE ASSY, LIGHT GAUGE
4	3316100	1	KEYSWITCH
5	3323529	3	COVER
6	3335114	1	SWITCH, MOMENTARY
7	3336094	1	HOUR METER
8	3342273	3	SWITCH COVER - BLACK, CLEAR LENS
9	3342705	4	SWITCH, DPST
10	3343912	1	SWITCH, DPDT
11	3344038	5	SWITCH CAP
12	3344039	1	SWITCH CAP. GREEN
13	715956	1	DECAL, DIESEL IGN
14	715957	1	DECAL, INST PANEL
15	715972	1	DECAL, HIGH DUMP
16	715973	1	DECAL, LIGHTS
17	715974	1	DECAL, IDLE
18	730850	1	SWITCH, ROTARY, 3-WAY
19	730989-1	1	SWITCH, ROTARY 3-POS
20	731187	2	KNOB
21	731393	1	HOLE PLUG, 1-1/8
22	742749	2	PLUG, BLACK PLASTIC
23	748157	2	SWITCH, ROCKER, DPDT MOMENTARY
24	748761	1	SWITCH, DPST
25	748791-1	1	SWITCH, MOMENTARY
26	748995	4	LIGHT ASSY, INDICATOR RED - LED
27	748996	1	LIGHT ASSY, INDICATOR AMBER - LED
28	748998	1	HARNESS, FUEL GAUGE
29	PART OF 3300382	2	NUT
30	PART OF 3300382	1	RETAINER, GAUGE
31	PART OF 3300382	2	LOCKWASHER
32	PART OF 3300441	1	CAP, SWITCH
33	PART OF 3316100	1	NUT, KEYSWITCH
34	PART OF LED	5	NUT
35	PART OF LED	5	LOCK WASHER
36	PART OF ROTARY SWITCH	2	NUT
37	REF	-	CONSOLE

INSTRUMENT PANEL GROUP - GAS (770107)



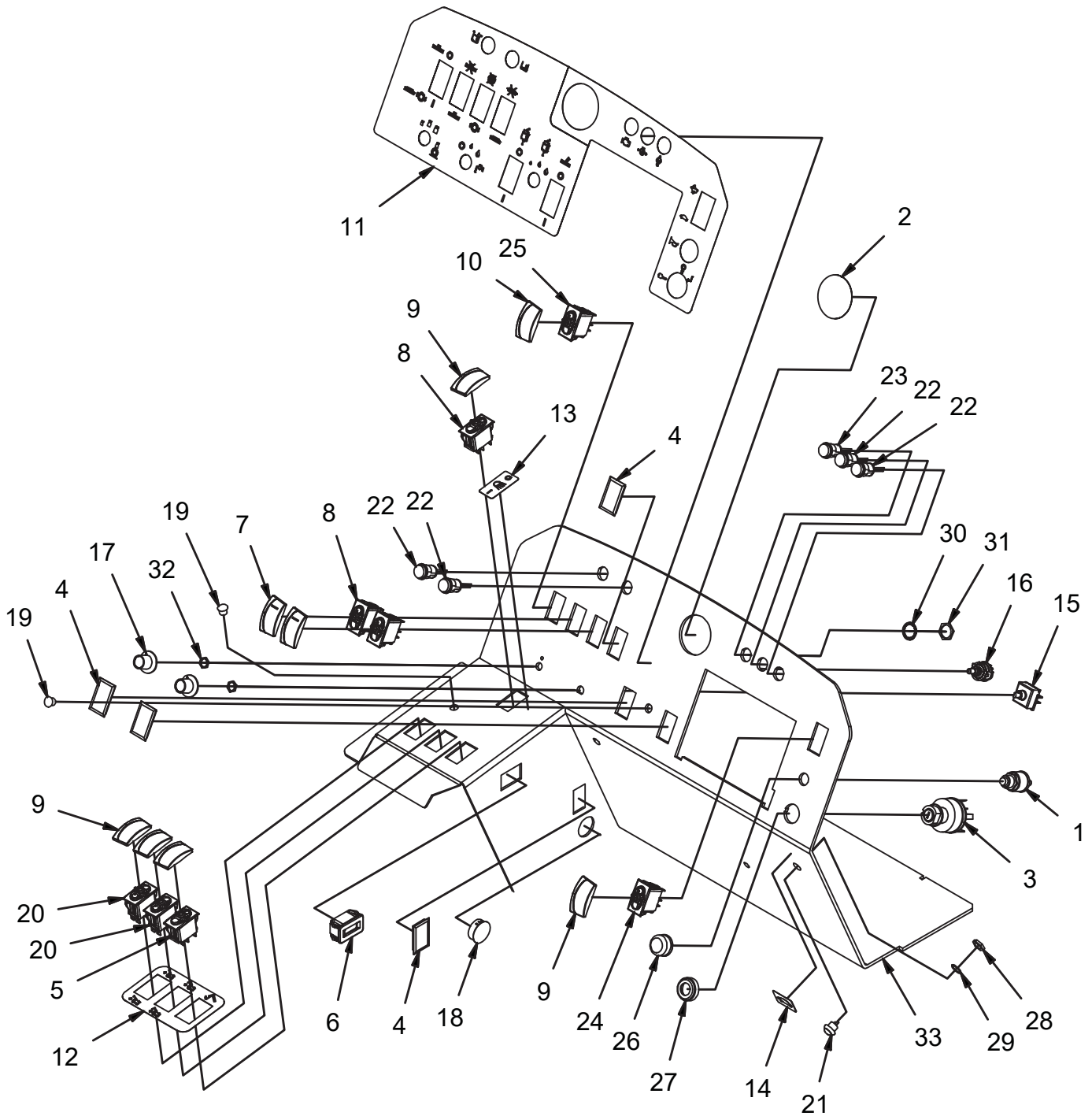
REV D



**INSTRUMENT PANEL GROUP - GAS (770107)**

Parts List 770107			
ITEM	PART NUMBER	QTY	DESCRIPTION
1	3300382	1	GAUGE, FUEL
2	3300441	1	SWITCH, MOMENTARY
3	3301345-1	1	WIRE ASSY, LIGHT GAUGE
4	3316100	1	KEYSWITCH
5	3323529	3	COVER
6	3335114	1	SWITCH, MOMENTARY
7	3336094	1	HOUR METER
8	3342273	3	SWITCH COVER - BLACK, CLEAR LENS
9	3342705	5	SWITCH, DPST
10	3344038	5	SWITCH CAP
11	3344039	1	SWITCH CAP. GREEN
12	715957	1	DECAL, INST PANEL
13	715972	1	DECAL, HIGH DUMP
14	715973	1	DECAL, LIGHTS
15	715974	1	DECAL, IDLE
17	730850	1	SWITCH, ROTARY, 3-WAY
18	730989-1	1	SWITCH, ROTARY 3-POS
19	731187	2	KNOB
20	731393	1	HOLE PLUG, 1-1/8
21	742749	2	PLUG, BLACK PLASTIC
22	748157	2	SWITCH, ROCKER, DPDT MOMENTARY
23	748761	1	SWITCH, DPST
24	748791-1	1	SWITCH, MOMENTARY
25	748995	4	LIGHT ASSY, INDICATOR RED - LED
26	748996	1	LIGHT ASSY, INDICATOR AMBER - LED
27	748998	1	HARNESS, FUEL GAUGE
28	PART OF 3300382	2	NUT
29	PART OF 3300382	2	LOCKWASHER
30	PART OF 3300382	1	RETAINER, GAUGE
31	PART OF 3300441	1	CAP, SWITCH
32	PART OF 3316100	1	NUT, KEYSWITCH
33	PART OF LED	5	LOCK WASHER
34	PART OF LED	5	NUT
35	PART OF ROTARY SWITCH	2	NUT
36	REF	-	CONSOLE

INSTRUMENT PANEL GROUP - LPG (770106)

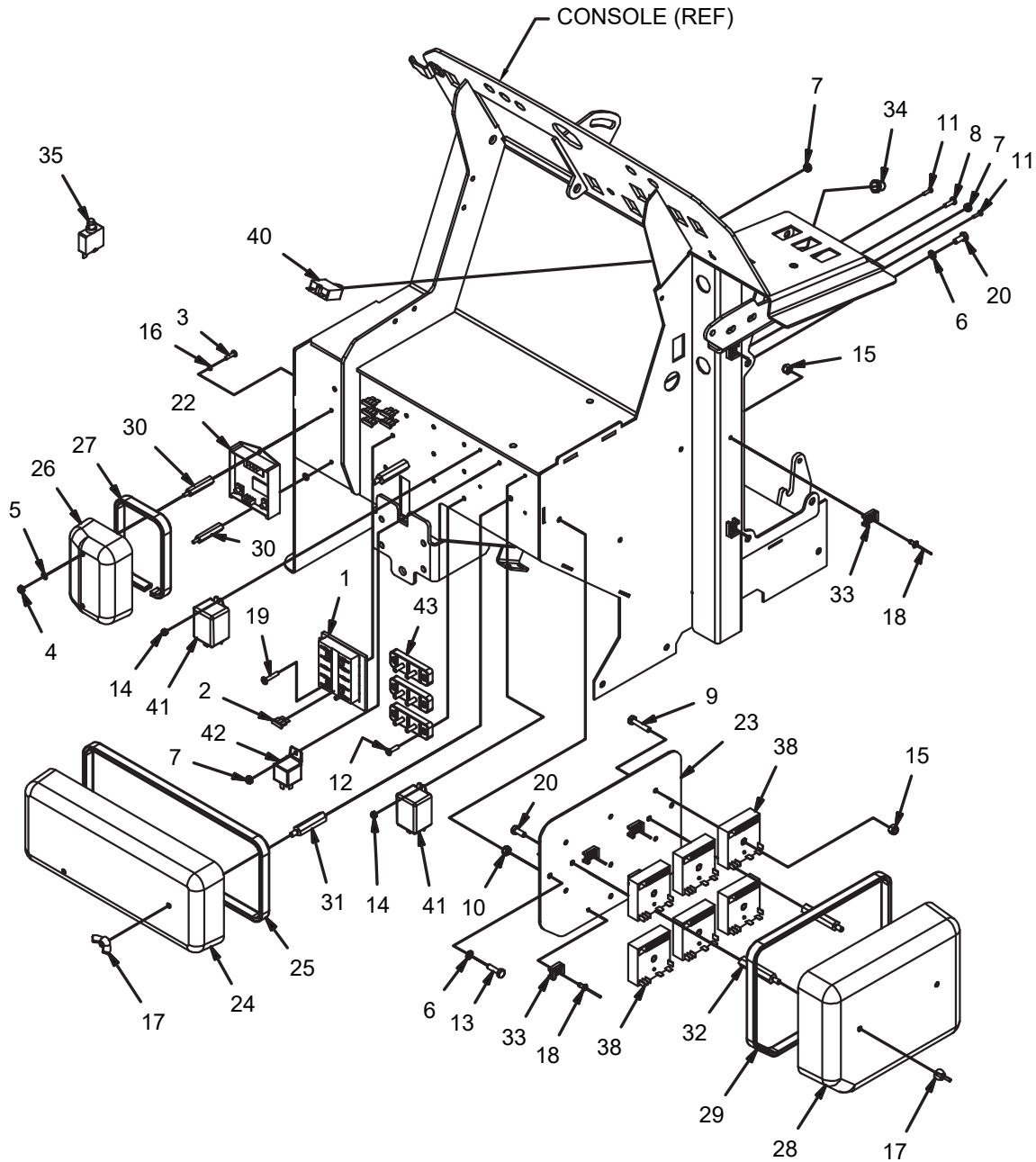


REV B

**INSTRUMENT PANEL GROUP - LPG (770106)**

Parts List 770106			
ITEM	PART NUMBER	QTY	DESCRIPTION
1	3300441	1	SWITCH, MOMENTARY
2	3301822	1	PLUG, PLASTIC, 2.00
3	3316100	1	KEYSWITCH
4	3323529	4	COVER
5	3335114	1	SWITCH, MOMENTARY
6	3336094	1	HOUR METER
7	3342273	2	SWITCH COVER - BLACK, CLEAR LENS
8	3342705	3	SWITCH, DPST
9	3344038	5	SWITCH CAP
10	3344039	1	SWITCH CAP. GREEN
11	715957	1	DECAL, INST PANEL
12	715972	1	DECAL, HIGH DUMP
13	715973	1	DECAL, LIGHTS
14	715974	1	DECAL, IDLE
15	730850	1	SWITCH, ROTARY, 3-WAY
16	730989-1	1	SWITCH, ROTARY 3-POS
17	731187	2	KNOB
18	731393	1	HOLE PLUG, 1-1/8
19	742749	2	PLUG, BLACK PLASTIC
20	748157	2	SWITCH, ROCKER, DPDT MOMENTARY
21	748791-1	1	WIRE ASSY, SWITCH
22	748995	4	LIGHT ASSY, INDICATOR RED - LED
23	748996	1	LIGHT ASSY, INDICATOR AMBER - LED
24	3342703	1	SWITCH, DPDT
25	748761	1	SWITCH, DPDT
26	PART OF 3300441	1	CAP, SWITCH
27	PART OF 3316100	1	NUT, KEYSWITCH
28	PART OF 748791-1	1	NUT
29	PART OF 748791-1	1	WASHER
30	PART OF LED	5	LOCK WASHER
31	PART OF LED	5	NUT
32	PART OF ROTARY SWITCH	2	NUT
33	REF	-	CONSOLE

HI-DUMP INSTRUMENTATION GROUP ONE (770122)

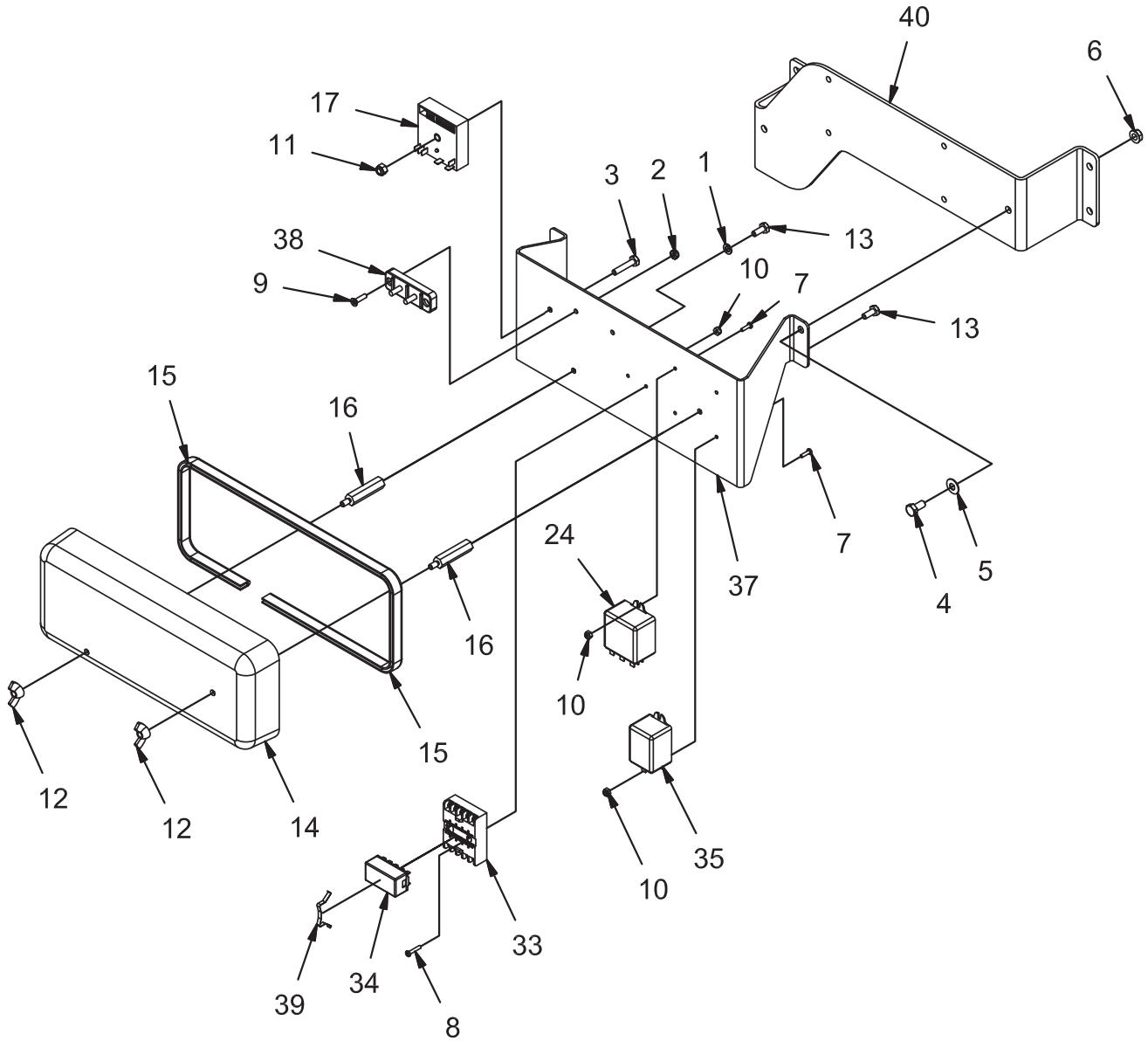


REV A

**HI-DUMP INSTRUMENTATION GROUP ONE (770122)**

Parts List - 770122			
ITEM	PART NUMBER	QTY	DESCRIPTION
1	3322599	1	FUSE BLOCK
2	3322601	6	FUSE, 15A
3	3400045	2	SCREW, #8-32 X .625 PAN HD ZP
4	3400082	2	NUT, FIBER INSERT #8-32
5	3400096	2	FLATWASHER, #8
6	3400103	5	LOCK WASHER, 1/4 HS MED
7	3400172	9	NUT, 10-32 ESN
8	3400204	1	SCREW, #10-32 X .625 PAN HD ZP
9	3400227	6	SCREW, 1/4-20 X 1.25 HH ZP
10	3401021	3	NUT, LOW HEIGHT 1/4-20 ESN
11	710204	4	SCREW, #6-32 X .500 PAN HD ZP
12	710556	6	SCREW, FHMS, 10-32 X .75 ZP
13	711206	3	BLT - HH 1/4-20 X .87 STL ZINC
14	711371	4	NUT, #6-32 ESN ZP
15	711373	9	NUT, FIBER INSERT 1/4-20
16	711542	2	WASHER, HELICAL, #8 ZP
17	711563	4	WING NUT, 1/4-20, NYLON
18	711903	7	RIVET, BLIND, .19 D X .126 - .250 GRIP ALU
19	712546	2	SCREW, #10-32 X 1.00 PAN HD ZP
20	713001	4	SCREW, 1/4-20 X .625 HHC
21	731125	-	PROP VALVE DRIVER (PART OF 731125-1)
22	731125-1	1	ASSEMBLY, PROPORTIONAL VALVE DRIVER
23	731191	1	PLATE, TIMER
24	731227	1	COVER, FUSE PANEL
25	731228	1	SEAL, FUSE COVER
26	731229	1	COVER, CONTROLLER
27	731230	1	SEAL, CONTROLLER
28	731231	1	COVER, TIMER
29	731232	1	SEAL, TIMER COVER
30	731233	2	STANDOFF, PANEL, #8-32 X 1.75
31	731234	2	STANDOFF, PANEL, 1/4-20 X 2.00
32	731236	2	STANDOFF, PANEL, 1/4-20 X 2.38
33	731258	7	MOUNT, CABLE TIE
34	742748	1	BOOT, CIRCUIT BREAKER
35	746006	1	CIRCUIT BREAKER, 3A (ATTACHED TO HARNESS)
36	748339	-	HANESS, WIRE ASSY (PART OF 748430-1)
37	748430	-	TIMER (PART OF 748430-1)
38	748430-1	6	ASSEMBLY, TIMER
39	748431	-	HARNESS, WIRE ASSY (PART OF 731125-1)
40	748904	1	CIRCUIT BREAKER, 40A
41	748961	2	RELAY, DPDT, 12VDC, 35A
42	90264672	1	RELAY, SPDT, 12VDC, 30A
43	90286238	3	TERMINAL BLOCK

HI-DUMP INSTRUMENTATION GROUP TWO (770123)

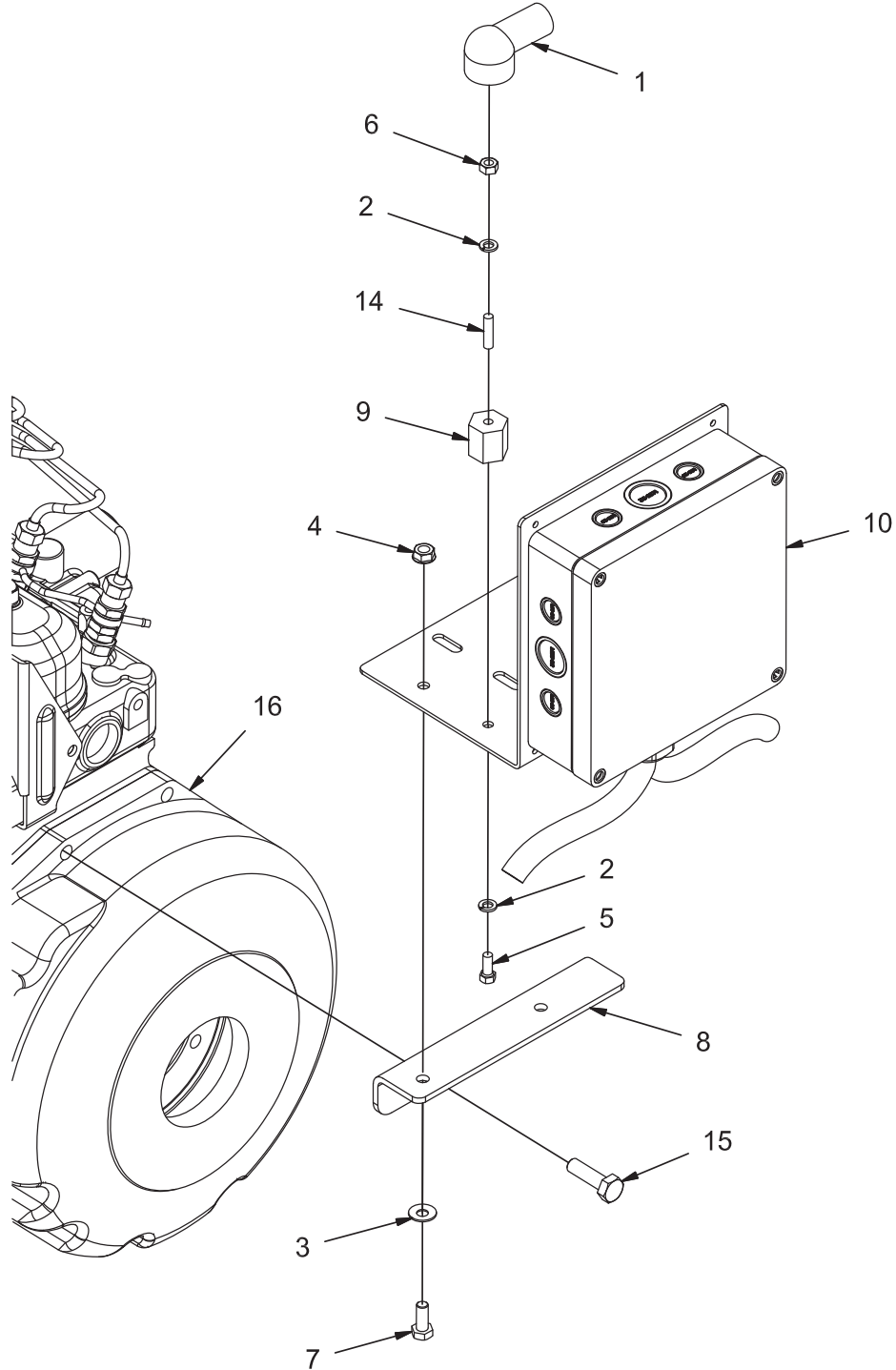


REV D

**HI-DUMP INSTRUMENTATION GROUP TWO (770123)**

Parts List 770123			
ITEM	PART NUMBER	QTY	DESCRIPTION
1	3400103	2	LOCK WASHER, 1/4 HS MED
2	3400172	2	NUT, 10-32 ESN
3	3400227	1	SCREW, 1/4-20 X 1.25 HH ZP
4	3400291	2	BOLT, M8-1.25 X 16 HH
5	3400384	2	WASHER, 5/16 BELLEVILLE
6	600934	2	NUT, M8-1.25 FLNG
7	710204	4	SCREW, #6-32 X .500 PAN HD ZP
8	710305	2	SCR-FHMS, #6-32 X .75 ZP
9	710556	2	SCREW, FHMS, 10-32 X .75 ZP
10	711371	6	NUT, #6-32 ESN ZP
11	711373	1	NUT, FIBER INSERT 1/4-20
12	711563	2	WING NUT, 1/4-20, NYLON
13	713001	2	SCREW, 1/4-20 X .625 HHC
14	731227	1	COVER, FUSE PANEL
15	731228	1	SEAL, FUSE COVER
16	731234	2	STANDOFF, PANEL, 1/4-20 X 2.00
17	748430	1	TIMER
18	749036	1	HARNESS ASSY, HEADLIGHTS NAUTILUS HD
19	748738	1	HARNESS ASSY, LT SIDE BMPR
20	748739	1	HARNESS ASSY, LT SIDE FRAME
21	748740	1	HARNESS ASSY, RT SIDE BMPR
22	748741	1	HARNESS ASSY, RT SIDE FRAME
23	748742	1	HARNESS ASSY, CONTROL
24	748743	1	HARNESS ASSY, SOLENOID
25	748744	1	WIRE ASSY, GROUND
26	748745	1	WIRE ASSY, GROUND
27	748746	1	WIRE ASSY, GROUND
28	748747	2	WIRE ASSY, RELAY
29	748748	1	WIRE ASSY, GROUND JUMPER
30	748749	1	WIRE ASSY, SV2 NHD
31	748781	1	RELAY, 3PDT, 12 VDC, 30A
32	748799	1	HARNESS, MAIN
33	748847	1	SOCKET, LATCHING RELAY
34	748848	1	RELAY, 2 COIL LATCHING
35	748961	1	RELAY, DPDT, 12VDC, 35A
36	748990	1	HARNESS, ENGINE
37	770582	1	MOUNT, HD ELECT COMPONENT
38	90286238	1	TERMINAL BLOCK
39	PART OF 748847	1	RETAINING CLIP
40	REF.	-	HIGH DUMP MANIFOLD MNT

ELECTRICAL BOX GROUP - DIESEL (730156)



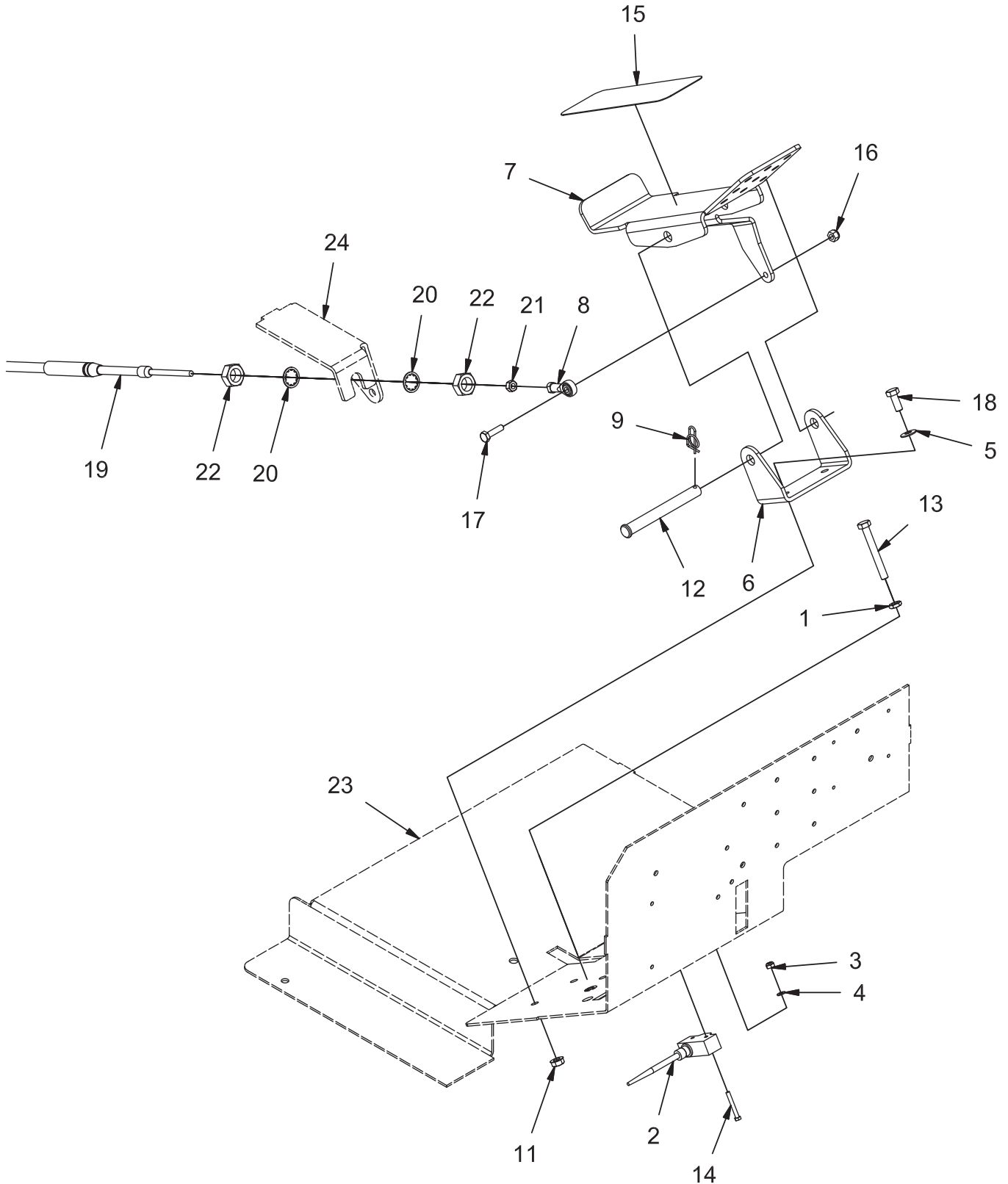
REV D



**ELECTRICAL BOX GROUP - DIESEL (730156)**

Parts List - 730156			
ITEM	PART NUMBER	QTY	DESCRIPTION
1	3342931	1	BOOT
2	3400103	2	LOCK WASHER, 1/4 HS MED
3	3400384	2	WASHER, 5/16 BELLEVILLE
4	600934	2	NUT, M8-1.25 FLNG
5	711203	1	BOLT, 1/4-20 X .625
6	711316	1	NUT, HEX 1/4-20 ZINC PL
7	717024	2	BOLT, M8-1.25 X 20 HH
8	730532	1	ANGLE, MOUNT
9	740132	1	PLASTIC INSULATOR
10	748769	1	DIESEL CONTROL BOX ASSEMBLY
11	749056	1	HARNESS ASSY, ECU POWER <i>(NOT SHOWN)</i>
12	748950	1	WIRE ASSY, OIL PRESS. SWTCH <i>(NOT SHOWN)</i>
13	748951	1	WIRE ASSY, WTR TEMP SWTCH <i>(NOT SHOWN)</i>
14	833638	1	1/4-20 STUD, BRASS
15	REF.	-	BOLT
16	REF.	-	DIESEL ENGINE

DIRECTIONAL CONTROL GROUP (730110)

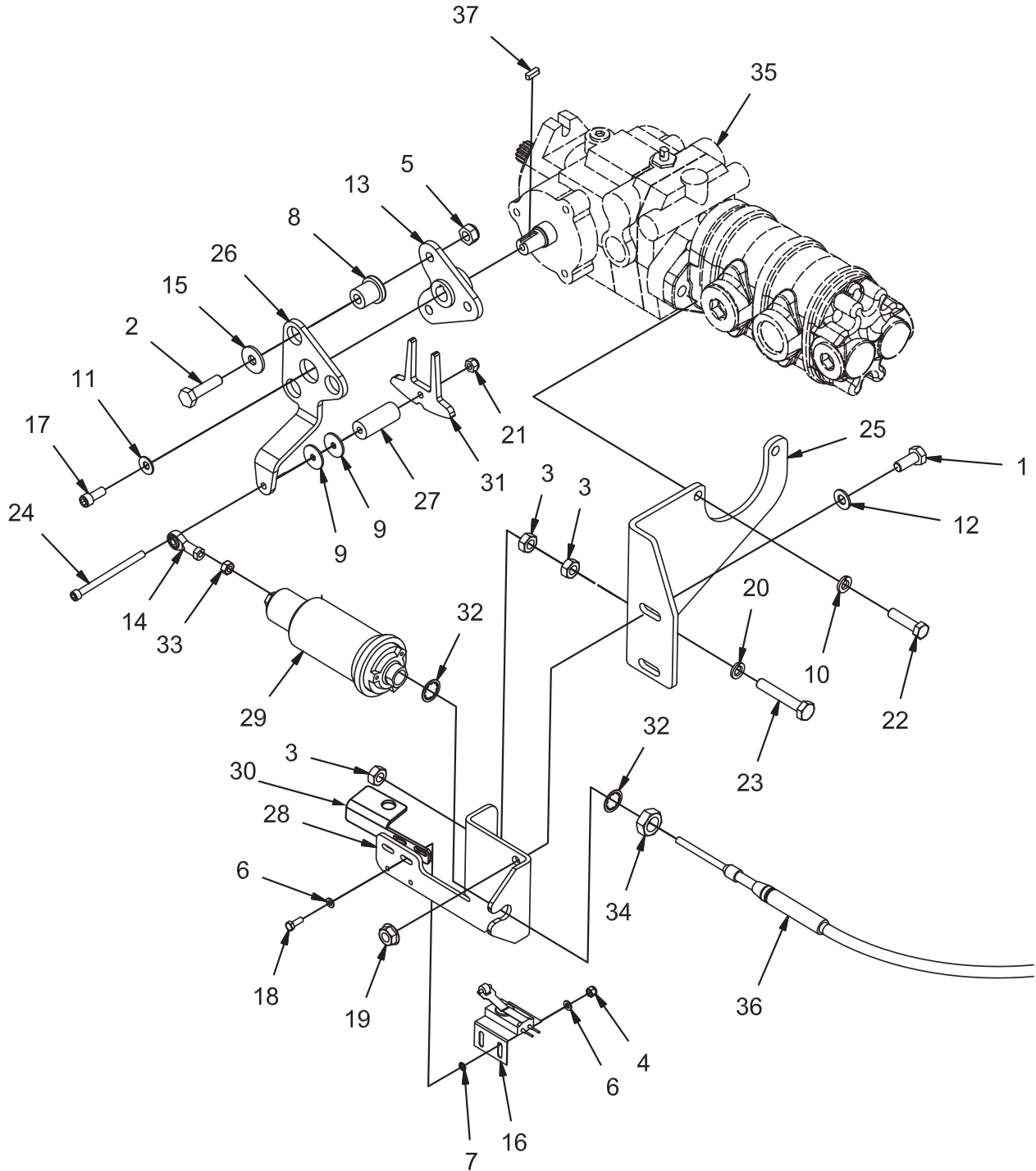


REV D

**DIRECTIONAL CONTROL GROUP (730110)**

Parts List 730110			
ITEM	PART NUMBER	QTY	DESCRIPTION
1	12012019	1	NUT, M8-1.25 JAM
2	3342546-1	1	HARNESS, SWITCH, WHISKER
3	3400082	2	NUT, FIBER INSERT #8-32
4	3400096	2	FLATWASHER, #8
5	3400384	2	WASHER, 5/16 BELLEVILLE
6	600134	1	BRACKET, F/R PEDAL
7	600135	1	PEDAL, F/R
8	600175	1	ROD END, FEM 1/4-28
9	600578	1	RUE-RING, .50
10	600851	1	M8-1.25 INSERT, .125 GRIP
11	600934	2	NUT, M8-1.25 FLNG
12	620027	1	PIN, CLEVIS 1/2 X 4.50
13	620033	1	BOLT, M8-1.25 X 65 HH
14	620136	2	BOLT, #8-32 X 1.25 HH ZP
15	620179	1	PAD, F/R PEDAL
16	711373	1	NUT, FIBER INSERT 1/4-20
17	713003	1	SCREW, 1/4-20 X 1.00 HH
18	717024	2	BOLT, M8-1.25 X 20 HH
19	730356	1	CABLE, JACKETED, 92.50 OAL
20	PART OF 730356	2	LOCK WASHER
21	PART OF 730356	1	NUT, 1/4-28
22	PART OF 730356	2	NUT, 5/8-18 JAM
23	REF	-	CONSOLE
24	REF.	-	FRAME

**PUMP LINKAGE GROUP (730111)**

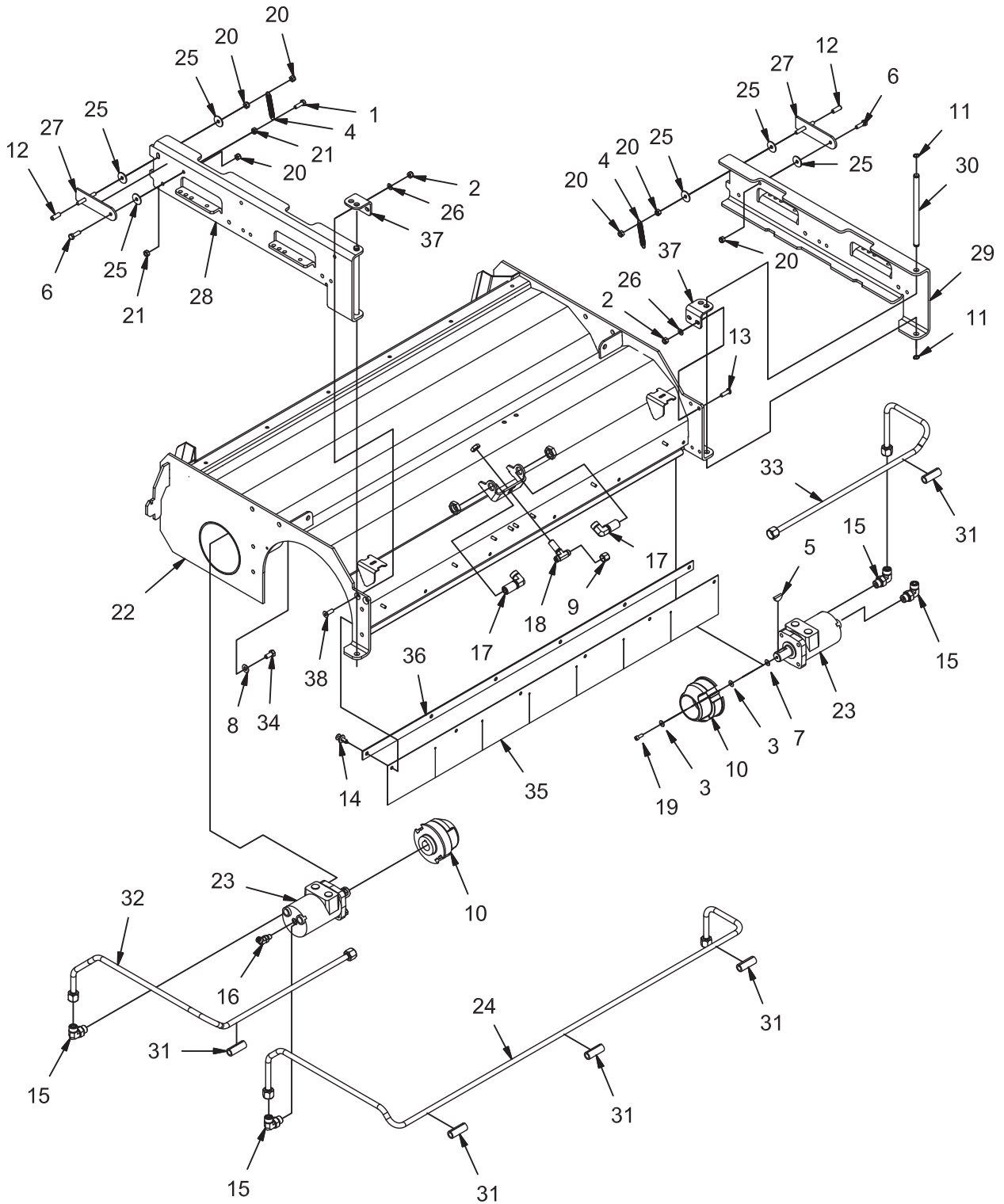


**REV F**

**PUMP LINKAGE GROUP (730111)**

Parts List 730111			
ITEM	PART NUMBER	QTY	DESCRIPTION
1	11038346	2	BOLT, M10-1.50 X 25 HH
2	11038395	3	BOLT, M10-1.50 X 40 HH
3	12022067	3	NUT, M10-1.50 HEX
4	711350	2	NUT-NYLOC 10-32 ZP
5	12040069	3	NUT, M10-1.50 ESN
6	711503	4	WASHER-FLAT #10 X .50 ZP
7	12518080	2	WASHER, STAR, M5, INT. ZP
8	3300465	3	ISOLATOR, VIB
9	3400090	2	WASHER, FENDER, 1/4 ZP
10	3400101	2	LOCK WASHER, 3/8 HS MED
11	3400384	1	WASHER, 5/16 BELLEVILLE
12	3400385	2	WASHER, 3/8, BELLEVILLE
13	600141	1	WELDMENT, DIR CONT HUB
14	600175	1	ROD END, FEM 1/4-28
15	600363	3	WASHER, ISOLATOR
16	749009	1	SWITCH ASSY, ROLLER PLUNGER
17	600895	1	BOLT, 5/16-24 X .75 SHCS
18	3400044	2	SCR-HH 10-32 X .75 ZP SERR FLANGE
19	600936	2	NUT, M10-1.50 FLNG
20	600945	1	LOCK WASHER, M10
21	711373	1	NUT, FIBER INSERT 1/4-20
22	713044	2	SCREW, 3/8-16 X 1.50 HHC
23	730481	1	BOLT, M10-1.50 X 60 HH ALL-THRD
24	730699	1	BOLT, 1/4-20 X 3.50 SOC HD CAP
25	730714	1	MOUNT, HYDROBACK
26	730715	1	ARM, DIR CONT
27	731108	1	SPACER, .266 B .750 OD 1.81 T
28	731109	1	ADJUSTER, HYDROBACK W/SW MNT
29	731181	1	HYDROBACK CENTERING UNIT, 10 LB
30	731394	1	BRACKET, NEUTRAL SWITCH
31	731395	1	CAM, NEUTRAL, NAUTILUS
32	PART OF CABLE ASSY	2	LOCK WASHER
33	PART OF CABLE ASSY	1	NUT, 1/4-28
34	PART OF CABLE ASSY	1	NUT, 5/8-18 JAM
35	REF.	-	PUMP, PROPULSION
36	REF.	-	CABLE, PUSH-PULL
37	WITH PUMP	1	KEY

SCRUB HEAD GROUP (730112)

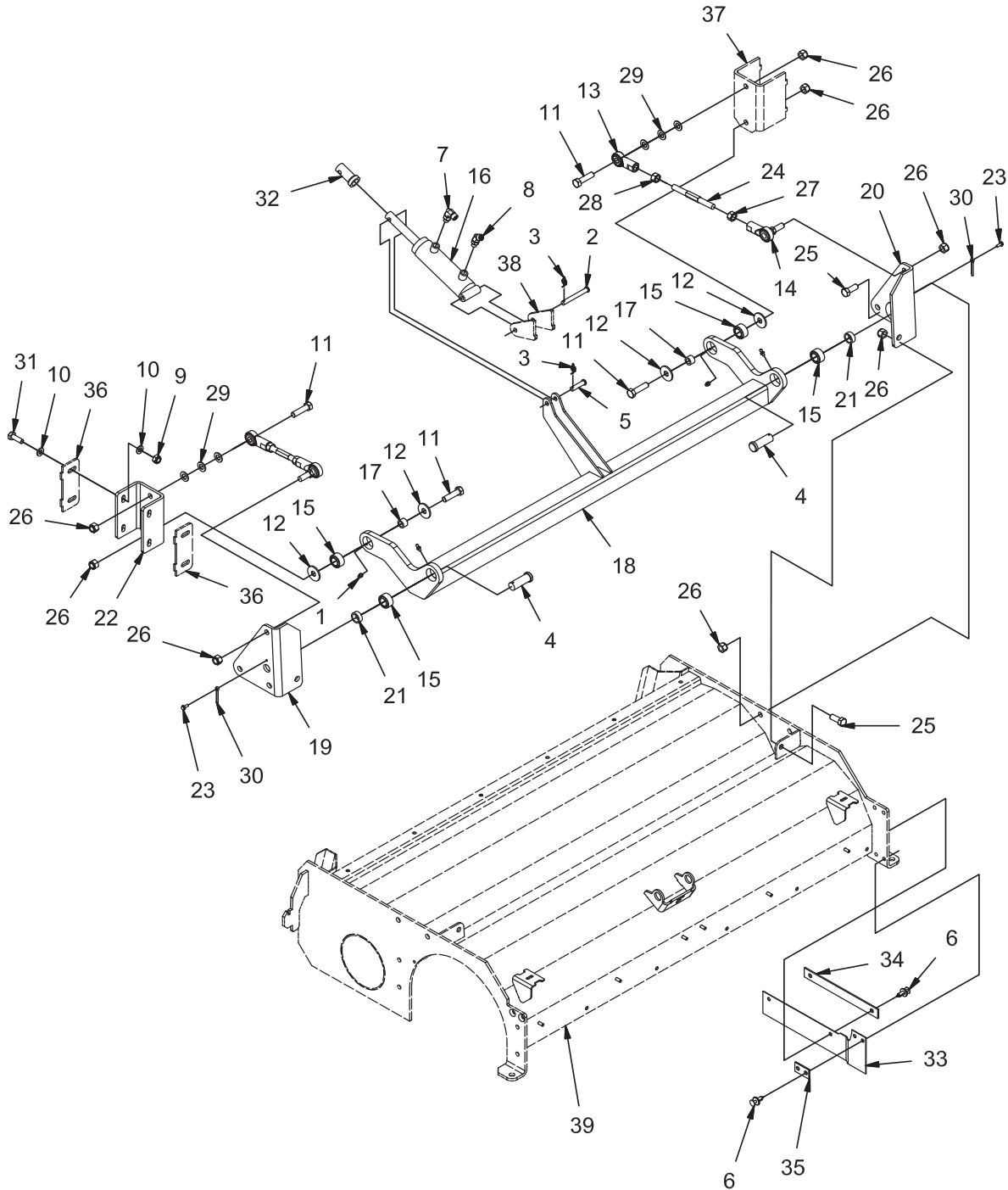


REV H

**SCRUB HEAD GROUP (730112)**

Parts List 730112			
ITEM	PART NUMBER	QTY	DESCRIPTION
1	11039567	1	BOLT, M8-1.25 X 25 HH SS
2	12040259	4	NUT, M8-1.25 ESN SS
3	712761	4	WASHER-FENDER 1/4 X 1.25 X .059 SS
4	3304160	2	SPRING, EXT
5	3330338	2	KEY, WOODRUFF .25 X .50
6	3400318	2	BOLT, 5/16-18 X 1.00 HH SS
7	3400383	2	WASHER, 1/4 BELLEVILLE
8	3400385	8	WASHER, 3/8, BELLEVILLE
9	675605	1	FITTING, CAP -4 ORFS
10	600337	1	HUB, MAIN BROOM DRIVE (OLD)
	731304-1	2	HUB, MAIN BROOM DRIVE (STARTING S/N 18PB1783)
11	600569	4	RETAINING RING, EXT .50 HD
12	600910	2	CAP
13	600917	2	SCREW, M8-1.25 X 25 BUTTON HD CAP SS
14	600965	6	FASTENER, PRESS-IN
15	675523	4	FITTING, 90, -8 ORFS - 8 SAE
16	675541	1	FITTING, 45, 4 ORFS - 4 SAE
17	675544	2	FITTING, 90, BULKHEAD 8 ORFS - 8 ORFS
18	675607	1	FITTING, BULKHEAD TEE - 4 ORFS - 4 ORFS
19	712562	2	SCR-HH 1/4-20 X .75, 18-8 SS
20	712683	6	NUT, 5/16-18 ESN SS
21	717029	2	NUT, M8-1.25 SS
22	730325MBC	1	WELDMENT, SCRUB HEAD
23	730343	2	MOTOR, 4.5 DISP
24	730348	1	ASSEMBLY, CROSS TUBE
25	730526	6	WASHER, M8 FENDER SS
26	730609	4	WASHER, M8 SS
27	730622	2	WELDMENT, DOOR LATCH
28	730626	1	SQU MNT CHANNEL, RH
29	730627	1	SQU MNT CHANNEL, LH
30	730642	2	SHAFT, .50 D X 8.00 L
31	730685	5	GUARD, HOSE
32	730775	1	ASSEMBLY, RH MOTOR TUBE
33	730776	1	ASSEMBLY, LH MOTOR TUBE
34	730959	8	SCREW, 3/8-16 X .750 HHC SS
35	730982	1	SKIRT, SCRUB HEAD
36	730983	1	STRAP, RETAINER
37	731131	2	HINGE, ADJ
38	731139	2	SCREW, M8-1.25 X 25 FHCS SS

SCRUB BRUSH LIFT GROUP (730113)



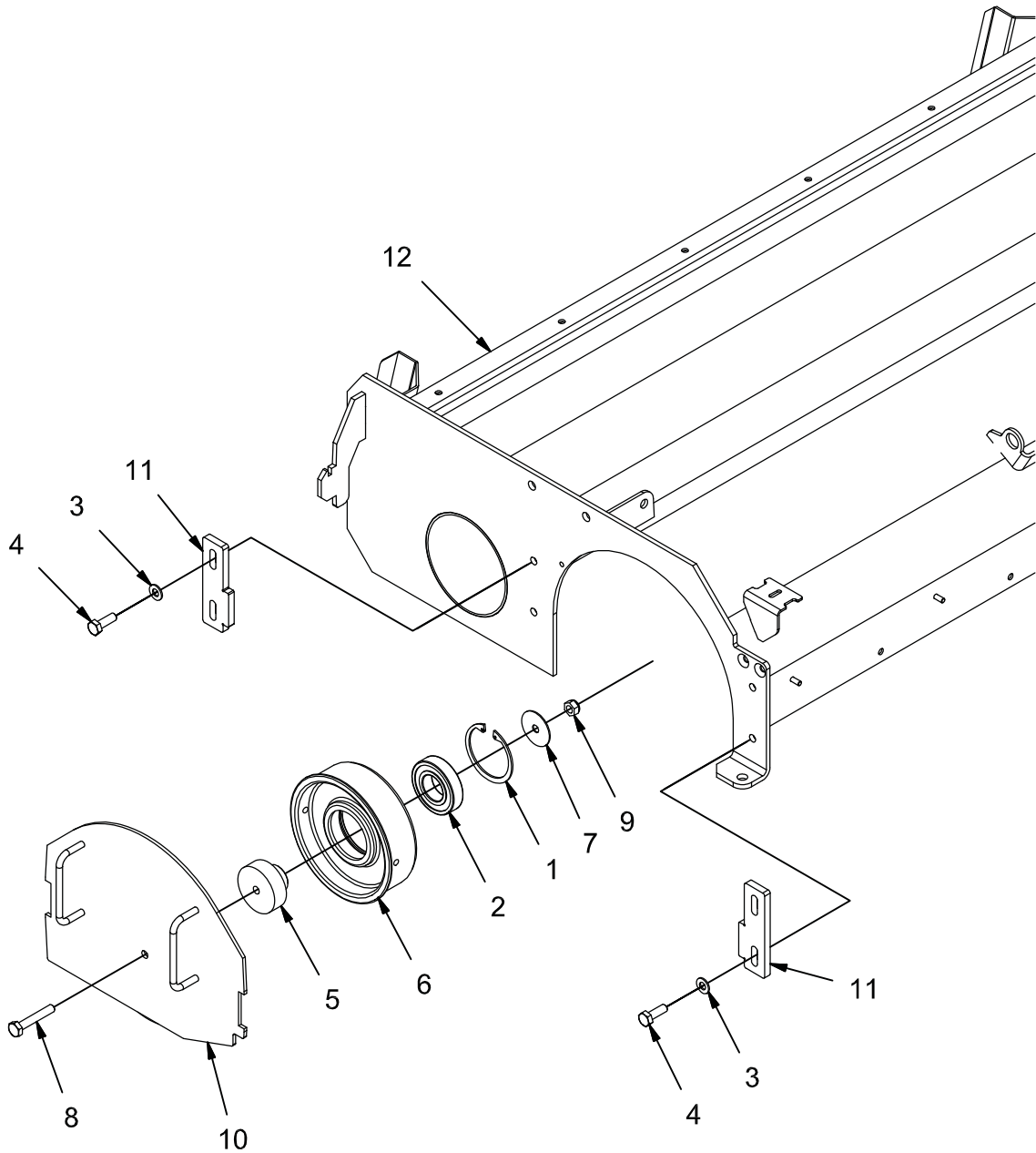
REV C



**SCRUB BRUSH LIFT GROUP (730113)**

Parts List 730113			
ITEM	PART NUMBER	QTY	DESCRIPTION
1	710006	4	GREASE ZIRK
2	3400115	1	PIN, CLEVIS, .375 X 3.00
3	3400125	2	RUE-RING, .375
4	3400439	2	CLEVIS PIN, .75 X 2.00
5	600573	1	PIN, CLEVIS, 3/8 X 1.50
6	600965	4	FASTENER, PRESS-IN
7	675507	1	FITTING, 90, -4 ORFS - 4 SAE
8	675541	1	FITTING, 45, 4 ORFS - 4 SAE
9	730339	4	NUT, M10-1.50 ESN SS
10	730344	8	WASHER, M10 SS
11	730516	4	BOLT, M12-1.75 X 45 HH SS
12	730528	4	WASHER, .512 B 1.46 OD .118 T SS
13	730544	2	ROD END, FEM, M12-1.75
14	730545	2	ROD END, FEM, M12-1.75 LH THRD W/STUD
15	730547	4	BEARING, SPHERICAL
16	730548	1	CYLINDER, HYD, 1.5 B X 2.88 STK
17	730549	2	SPACER, .484 B .746 OD .500 T
18	730590	1	WELDMENT, SH LIFT ARM
19	730594	1	WELDMENT, SH LIFT BRACKET RH
20	730597	1	WELDMENT, SH LIFT BRACKET, LH
21	730599	2	SPACER, .760 B 1.00 OD .375 T
22	730600	1	CHANNEL, SH ADJ MNT
23	730601	2	SCREW, #10-32 x .50 SELF TAPPING SS
24	730603	2	ROD, ADJ
25	730604	6	BOLT, M12-1.75 X 30 HH SS
26	730605	12	NUT, M12-1.75 ESN SS
27	730606	2	NUT, M12-1.75 LH THRD SS
28	730607	2	NUT, M12-1.75 HEX SS
29	730608	6	WASHER, M12 SS
30	730610	2	PIN, COTTER, .156 X 1.25 SS
31	730878	4	BOLT, M10-1.50 X 30 HH SS
32	731194	1	TUBE, STOP
33	731362	1	SKIRT, SIDE
34	731363	1	SKIRT RETAINER, REAR
35	731364	1	SKIRT RETAINER, FRONT
36	REF.	-	FRAME
37	REF.	-	FRAME
38	REF.	-	FRAME
39	REF.	-	SCRUB HEAD

**SCRUB BRUSH IDLER GROUP (730114)**

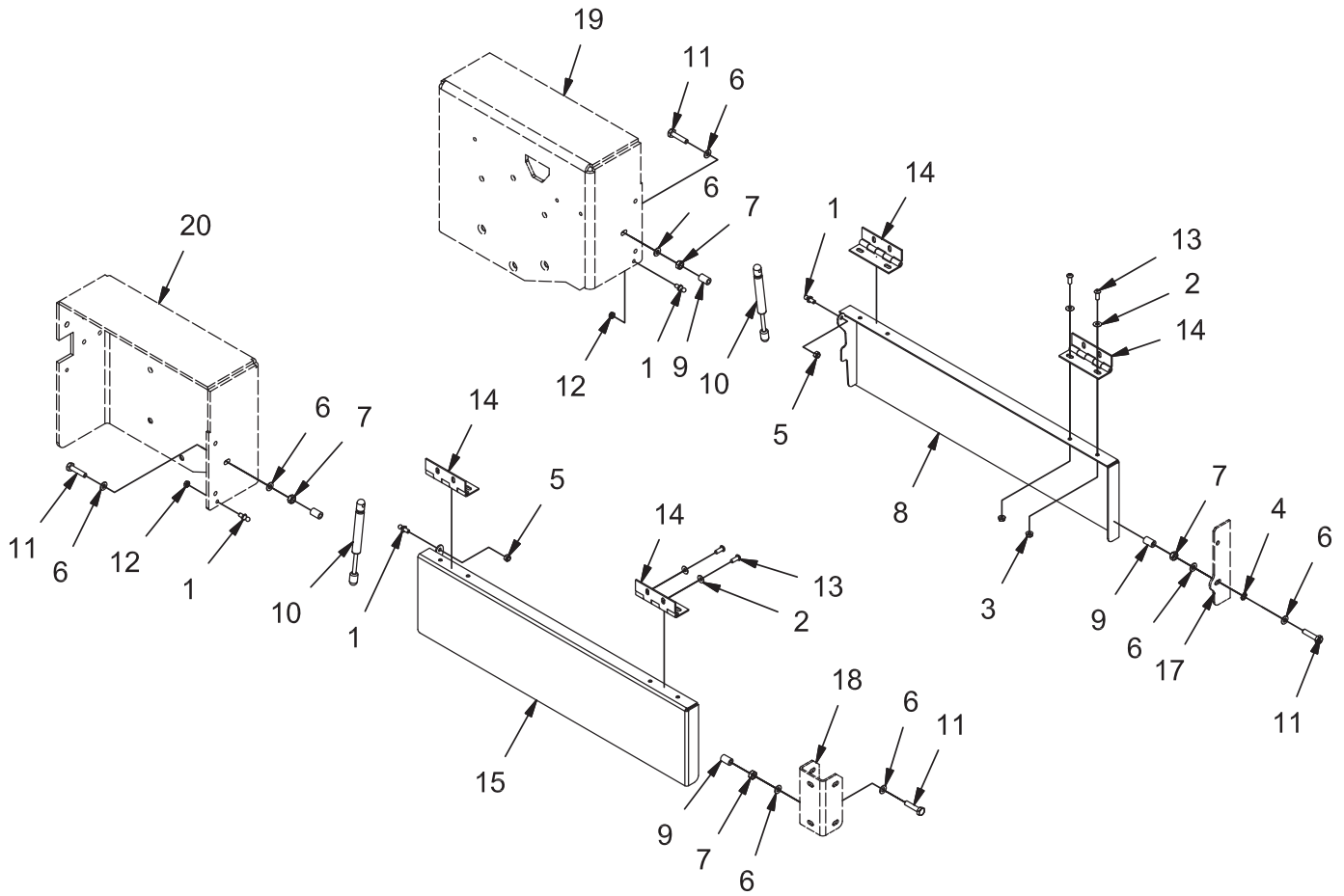


**REV C**

**SCRUB BRUSH IDLER GROUP (730114)**

Parts List 730114			
ITEM	PART NUMBER	QTY	DESCRIPTION
1	3305666	2	RING, RETAINING, INT
2	3305667	2	BEARING, BALL, 207PP
3	3400385	8	WASHER, 3/8, BELLEVILLE
4	730878	8	BOLT, M10-1.50 X 30 HH SS
5	600544	2	MOUNT, BEARING
6	620083	2	IDLER, MAIN BROOM
7	712768	2	WSR-FLT .406 X 1.875 SS
8	730323	2	BOLT, M10-1.50 X 60 HH SS
9	730339	2	NUT, M10-1.50 ESN SS
10	730341	2	WELDMENT, BRUSH RETAINER
11	730613	4	PLT, ADJ
12	REF.	-	SCRUB HEAD

BRUSH DOOR GROUP (730115)

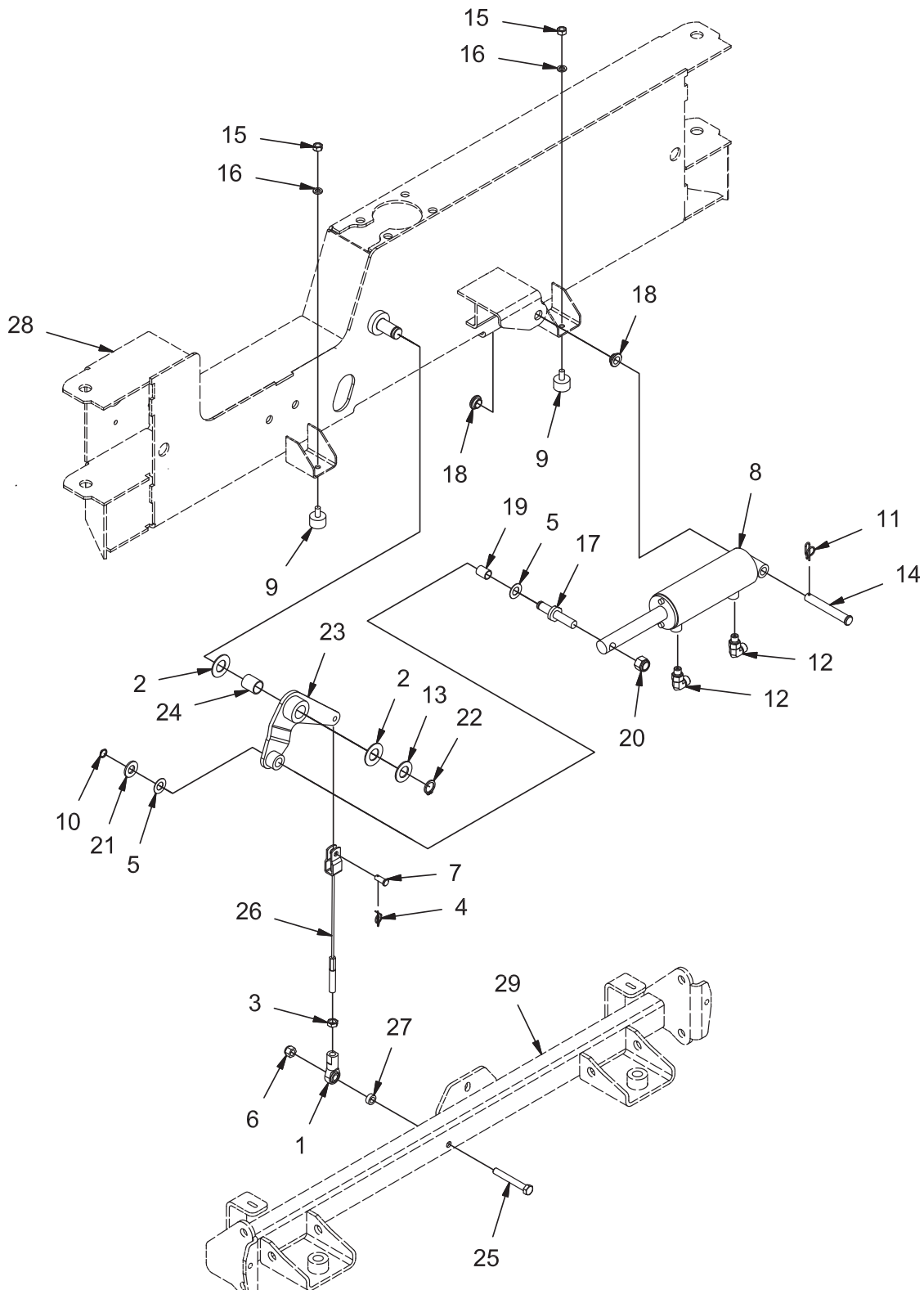


REV C

**BRUSH DOOR GROUP (730115)**

Parts List 730115			
ITEM	PART NUMBER	QTY	DESCRIPTION
1	3300376	4	STUD, 10MM BALL
2	3400384	16	WASHER, 5/16 BELLEVILLE
3	600934	8	NUT, M8-1.25 FLNG
4	600946	1	LOCK WASHER, 3/8 INT STAR
5	712683	2	NUT, 5/16-18 ESN SS
6	730344	8	WASHER, M10 SS
7	730718	4	NUT, M10-1.50 HEX SS
8	730900	1	WELDMENT, LH BRUSH DOOR
9	730901	4	TUBING, STOP
10	730902	2	GAS STRUT, 8.77 EXT, 3.00 STK, 200N
11	730903	4	BOLT, M10-1.50 X 45 HH SS
12	730904	2	NUT, 5/16-18 HEX JAM SS
13	730905	16	SCREW, M8-1.25 X 20 BUTTON HD CAP SS
14	730906	4	HINGE, 5"
15	730952	1	WELDMENT, SSB DOOR
17	REF.	-	FRAME
18	REF.	-	FRAME
19	REF.	-	FRAME
20	REF.	-	FRAME

SQUEEGEE LIFT GROUP (770100)

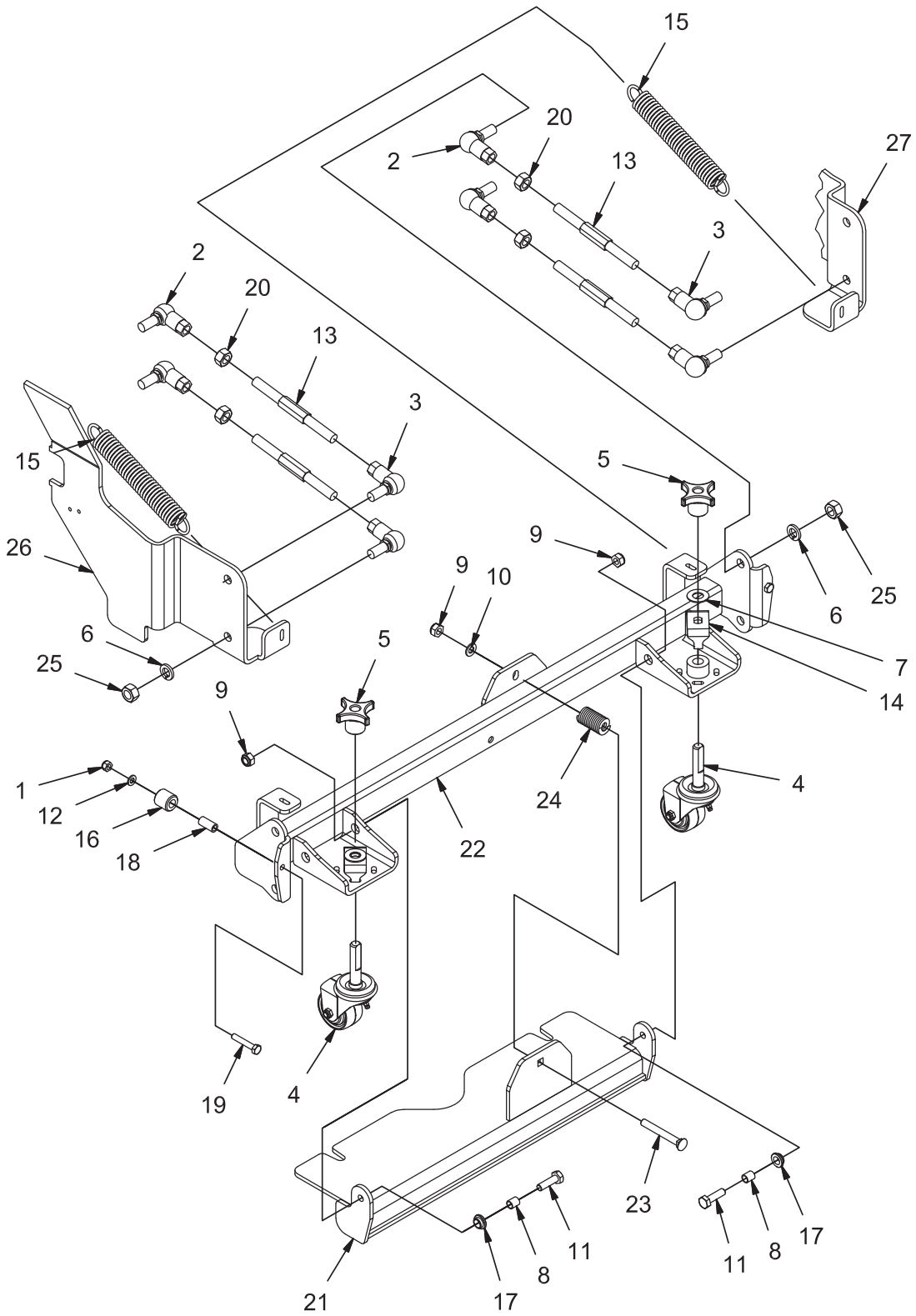


REV \*

**SQUEEGEE LIFT GROUP (770100)**

Parts List 770100			
ITEM	PART NUMBER	QTY	DESCRIPTION
1	3308762	1	ROD END, 3/8 FEM
2	3313161	2	WASHER, THRUST, .78 B 1.50 OD .063 T
3	3400075	1	NUT, HEX JAM 3/8-24
4	3400125	1	RUE-RING, .375
5	3400178	2	WASHER, THRUST, .53 B 1.00 OD .03 T
6	3400340	1	NUT, 3/8-16 ESN SS
7	450034	1	PIN, CLEVIS, .313 X .75
8	600106	1	CYLINDER, HOPPER DOOR
9	600220	2	BUMPER, 1.00 X .625 T
10	600569	1	RETAINING RING, EXT .50 HD
11	600578	1	RUE-RING, .50
12	675507	2	FITTING, 90, -4 ORFS - 4 SAE
13	711512	1	WASHER, .75 X 1.37 X .08 ZP
14	712098	1	PIN, CLEVIS 1/2 X 3.50
15	712680	2	NUT, HEX 5/16-18 SS
16	730527	2	LOCK WASHER, M8, SS
17	730741	1	PIN, SQU LIFT
18	730750	2	BUSHING, BRONZE, FLANGED. .50 B .62 OD .31 T
19	730752	1	FIBERGLIDE BEARING, .500 ID .750 T
20	730756	1	NUT, 1/2-13 ESN, SS
21	730759	1	WASHER, 1/2, SS
22	730877	1	RETAINING RING, EXT, .750
23	770325	1	WELDMENT, BELLCRANK
24	770328	1	BEARING, FIBERGLIDE .75 ID 1.00 T
25	770330	1	BOLT, 3/8-16 X 2.75 HH SS
26	770332	1	CABLE ASSEMBLY
27	770333	1	SPACER, .380 B .625 OD .250 T
28	REF.	-	REAR BUMPER
29	REF.	-	SQUEEGEE RAIL

SQUEEGEE LINKAGE GROUP (770101)



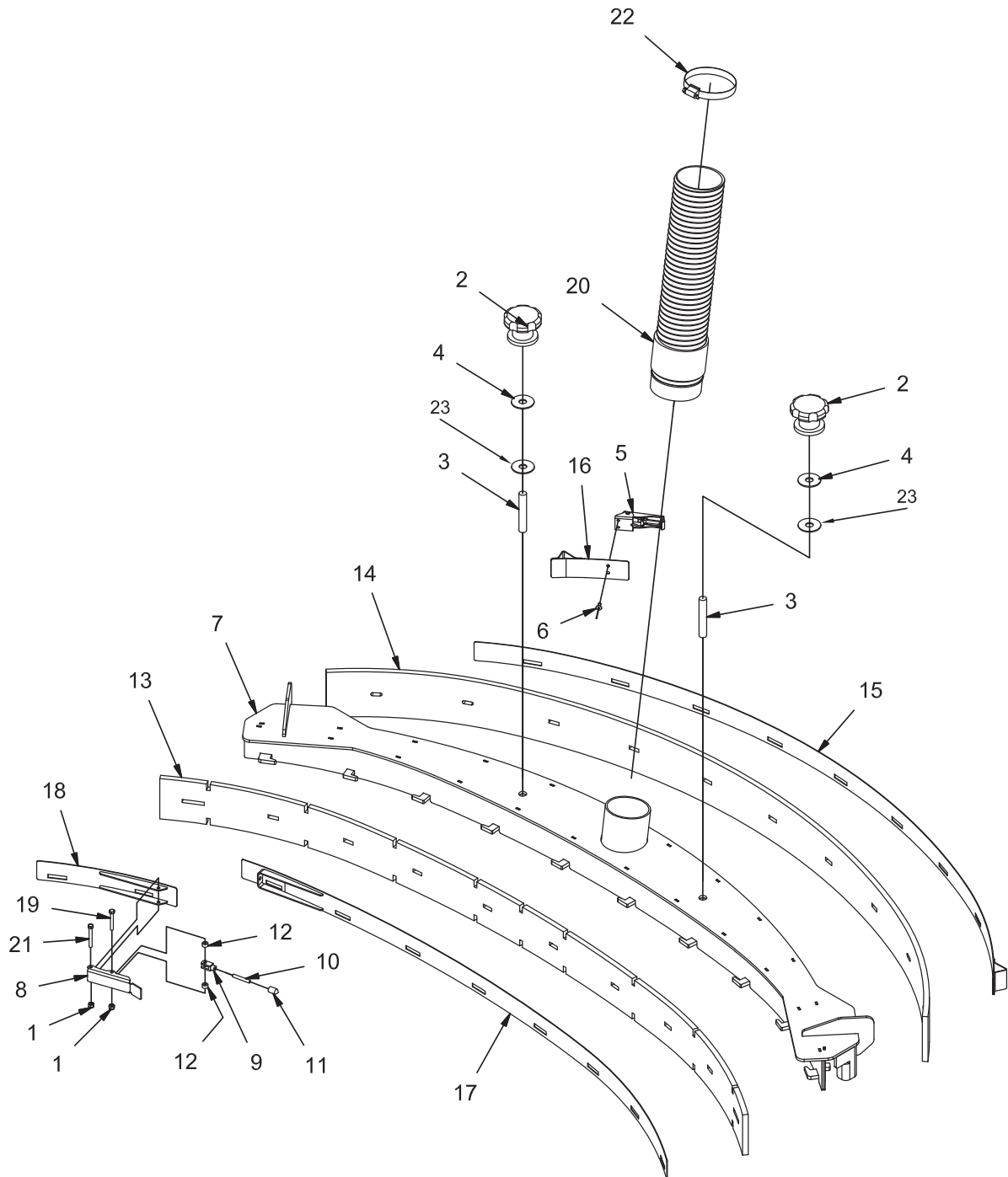
REV B



**SQUEEGEE LINKAGE GROUP (770101)**

Parts List 770101			
ITEM	PART NUMBER	QTY	DESCRIPTION
1	12040259	2	NUT, M8-1.25 ESN SS
2	16046054	4	ROD END, M14 RH THRDS
3	16046062	4	ROD END, M14 LH THRDS
4	3343816	2	CASTER
5	3343819	2	KNOB
6	3400414	8	LOCK WASHER, 9/16 HS MED
7	3401543	2	WASHER, TOOTHED PERIPHERY
8	600525	2	SPACER, .406 B .50 OD .57 T
9	730339	3	NUT, M10-1.50 ESN SS
10	730344	1	WASHER, M10 SS
11	730345	2	BOLT, M10-1.50 X 35 HH SS
12	730609	2	WASHER, M8 SS
13	730662	4	ROD, SQUEEGEE
14	730668	2	KEEPER, CASTER ADJUSTMENT
15	730742	2	SPRING, EXT, .160 W 1.25 OD 10.25 L SS
16	730744	2	ROLLER, SQU
17	730750	2	BUSHING, BRONZE, FLANGED. .50 B .62 OD .31 T
18	730751	2	SPACER, .344 B .500 OD 1.06 T
19	730754	2	BOLT, M8-1.25 X 45 HH SS
20	731176	4	NUT, M14-1.50 HEX SS
21	770313	1	WELDMENT, SQU MNT
22	770318	1	WELDMENT, SQU RAIL
23	770329	1	CARRIAGE BOLT, M10-1.5 X 80 SS
24	770331	1	SPRING, 1.00 OD, .50 ROD ID, 2.00L
25	PART OF ROD END	8	NUT, M14-1.50 HEX SS
26	REF.	-	LIFT ARM
27	REF.	-	LIFT ARM

SQUEEGEE GROUP (730118)

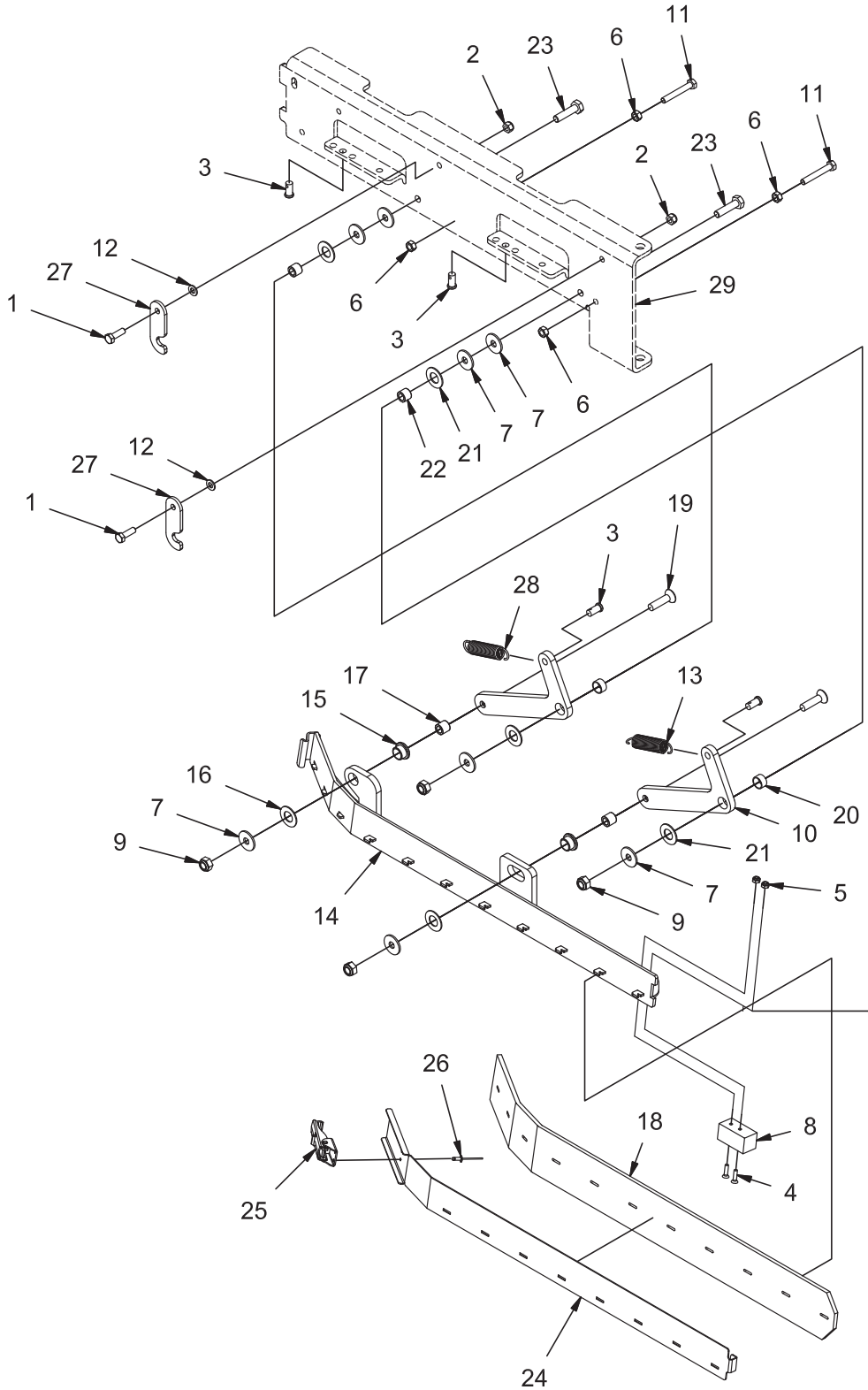


REV F

**SQUEEGEE GROUP (730118)**

Parts List 730118			
ITEM	PART NUMBER	QTY	DESCRIPTION
1	12040283	2	NUT, M5 - 0.8 ESN SS
2	3343814	2	KNOB
3	3343903	2	STUD, 1/2-13 X 3.00 SS
4	3400091	2	WASHER-FENDER 1/2 X 2.00 ZP
5	730652	1	LATCH, UNDER CENTER
6	730654	2	RIVET,BLIND, .156 D X .062 - .125 GRIP SS
7	730764	1	WELDMENT, SQUEEGEE
8	730780	1	LATCH, BODY
9	730781	1	CLEVIS, M5-0.8
10	730782	1	ROD, M5-0.8
11	730783	1	ROD, NOSE
12	730784	2	SPACER, .203 B .375 OD .210 T
13	730787	1	SQUEEGEE BLADE, FRONT
14	730788	1	SQUEEGEE BLADE, REAR
15	730791	1	WELDMENT, REAR RETAINER
16	730796	1	WELDMENT, REAR RETAINER, SHORT
17	730798	1	WELDMENT, FRONT RETAINER
18	730800	1	WELDMENT, FRONT RETAINER, SHORT
19	730802	1	BOLT, M5-0.8 X 35 HH SS
20	730985	1	ASSEMBLY, LOWER SQU HOSE
21	731130	1	BOLT, M5-0.8 X 40 HH SS
22	731144	1	CLAMP, HOSE, 2.25 - 3.25
23	730992	2	WASHER-RBBR .53 ID x 2.00 OD x .25 THK

SIDE SQUEEGEE GROUP - RH (730120)

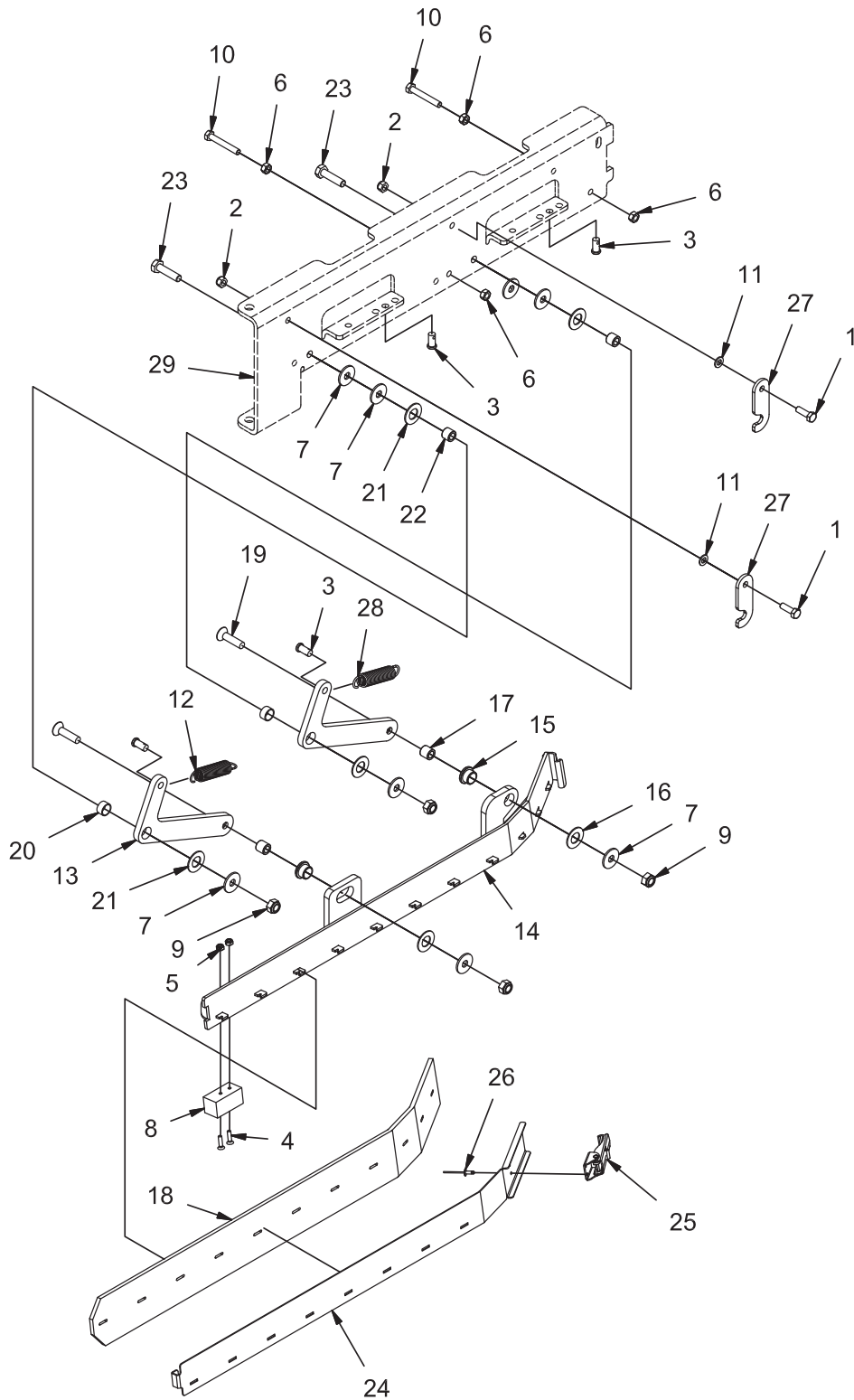


REV C

**SIDE SQUEEGEE GROUP - RH (730120)**

Parts List 730120			
ITEM	PART NUMBER	QTY	DESCRIPTION
1	11039567	2	BOLT, M8-125 X 25 HH SS
2	12040259	2	NUT, M8-1.25 ESN SS
3	711679	4	PIN, CLEVIS, .375 X .75
4	712544	2	SCR-FHMS 10-24 X 3/4 SS
5	712638	2	NUT, 10-32 ESN SS
6	717029	4	NUT, M8-1.25 SS
7	717040	8	WASHER, FENDER, .413 B 1.18 OD .098 T SS
8	730063	1	BLOCK, SIDE SQUEEGEE SLIDER
9	730339	4	NUT, M10-1.50 ESN SS
10	730346	2	ARM, SIDE SQU, RH
11	730507	2	BOLT, M8-1.25 X 55 HH SS
12	730609	2	WASHER, M8 SS
13	730619	1	SPRING, EXT, .07 W .75 OD 3.50 L SS
14	730630	1	WELDMENT, SQU MNT, RH
15	730640	2	BUSHING, BRONZE FLANGED, .62 B .75 OD .50T
16	730641	2	WASHER, BACKED THRUST .66 B 1.25 OD .06 T
17	730643	2	SPACER, .406 X .623 OD .575 T SS
18	730644	1	SQUEEGEE, SIDE
19	730645	2	SCREW, M10-1.50 X 40 FLAT HD SOC HD SS
20	730646	2	BEARING, DU, .63 B .72 OD .38 T
21	730647	4	WASHER, THRUST, .66 B 1.25 OD .06 T
22	730648	2	SPACER, .406 X .624 OD .515 T SS
23	730649	2	BOLT, M10-1.50 X 40 HH SS
24	730650	1	STRAP, RH SQU
25	730652	1	LATCH, UNDER CENTER
26	730654	2	RIVET, BLIND, .156 D X .062 - .125 GRIP SS
27	730990	2	LATCH, DOUBLE SCRUB
28	731183	1	SPRING, EXT, .09 W .75 OD 3.50 L SS
29	REF	-	SQU MNT CHANNEL, RH

SIDE SQUEEGEE GROUP - LH (730157)

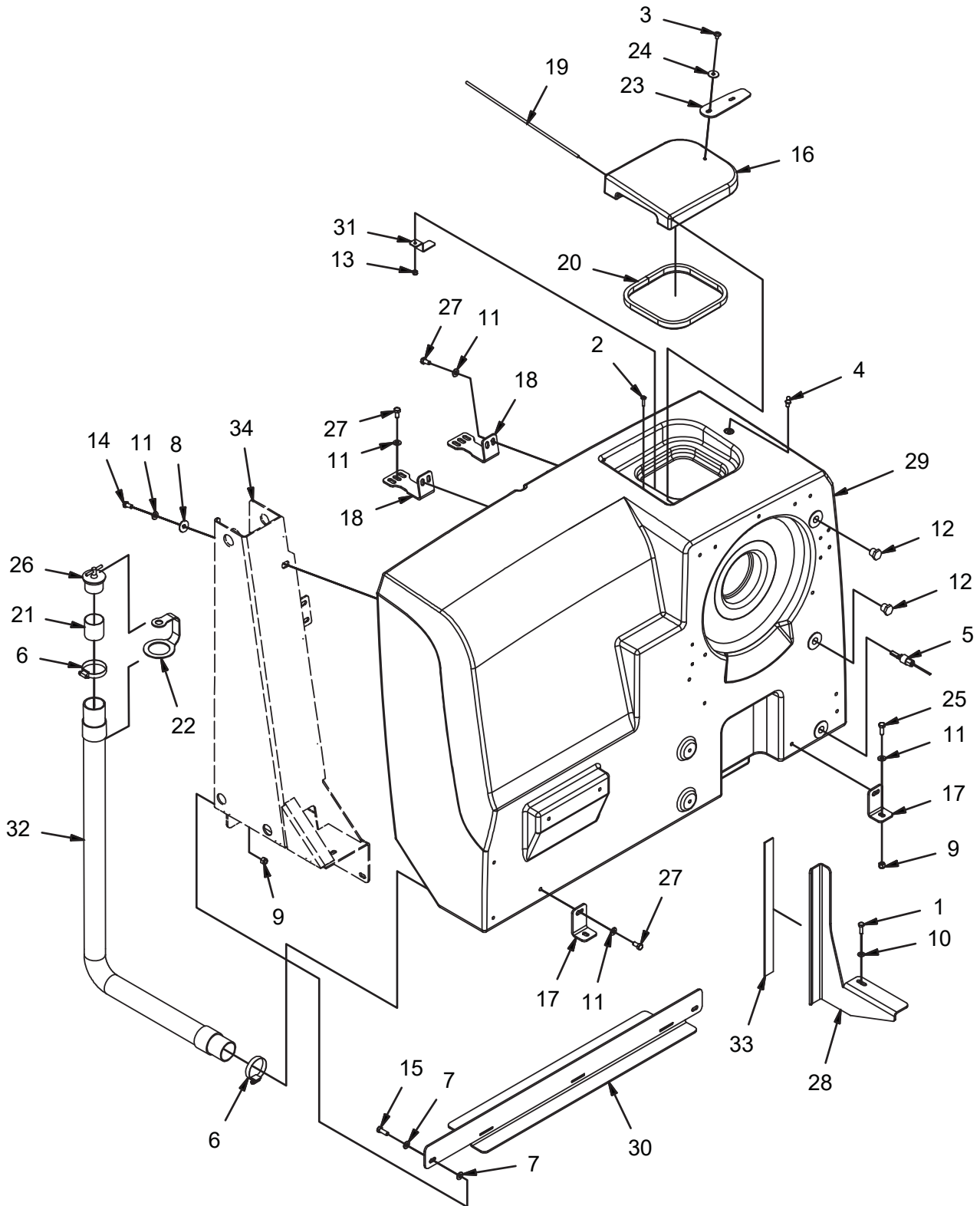


REV C

**SIDE SQUEEGEE GROUP - LH (730157)**

Parts List 730157			
ITEM	PART NUMBER	QTY	DESCRIPTION
1	11039567	2	BOLT, M8-125 X 25 HH SS
2	12040259	2	NUT, M8-1.25 ESN SS
3	711679	4	PIN, CLEVIS, .375 X .75
4	712544	2	SCR-FHMS 10-24 X 3/4 SS
5	712638	2	NUT, 10-32 ESN SS
6	717029	4	NUT, M8-1.25 SS
7	717040	8	WASHER, FENDER, .413 B 1.18 OD .098 T SS
8	730063	1	BLOCK, SIDE SQUEEGEE SLIDER
9	730339	4	NUT, M10-1.50 ESN SS
10	730507	2	BOLT, M8-1.25 X 55 HH SS
11	730609	2	WASHER, M8 SS
12	730619	1	SPRING, EXT, .07 W .75 OD 3.50 L SS
13	730620	2	ARM, SIDE SQU, LH
14	730637	1	WELDMENT, SQU MNT, LH
15	730640	2	BUSHING, BRONZE FLANGED, .62 B .75 OD .50T
16	730641	2	WASHER, BACKED THRUST .66 B 1.25 OD .06 T
17	730643	2	SPACER, .406 X .623 OD .575 T SS
18	730644	1	SQUEEGEE, SIDE
19	730645	2	SCREW, M10-1.50 X 40 FLAT HD SOC HD SS
20	730646	2	BEARING, DU, .63 B .72 OD .38 T
21	730647	4	WASHER, THRUST, .66 B 1.25 OD .06 T
22	730648	2	SPACER, .406 X .624 OD .515 T SS
23	730649	2	BOLT, M10-1.50 X 40 HH SS
24	730651	1	STRAP, LH SQU
25	730652	1	LATCH, UNDER CENTER
26	730654	2	RIVET,BLIND, .156 D X .062 - .125 GRIP SS
27	730990	2	LATCH, DOUBLE SCRUB
28	731183	1	SPRING, EXT, .09 W .75 OD 3.50 L SS
29	REF	-	SQU MNT CHANNEL, LH

SOLUTION TANK GROUP (770104)



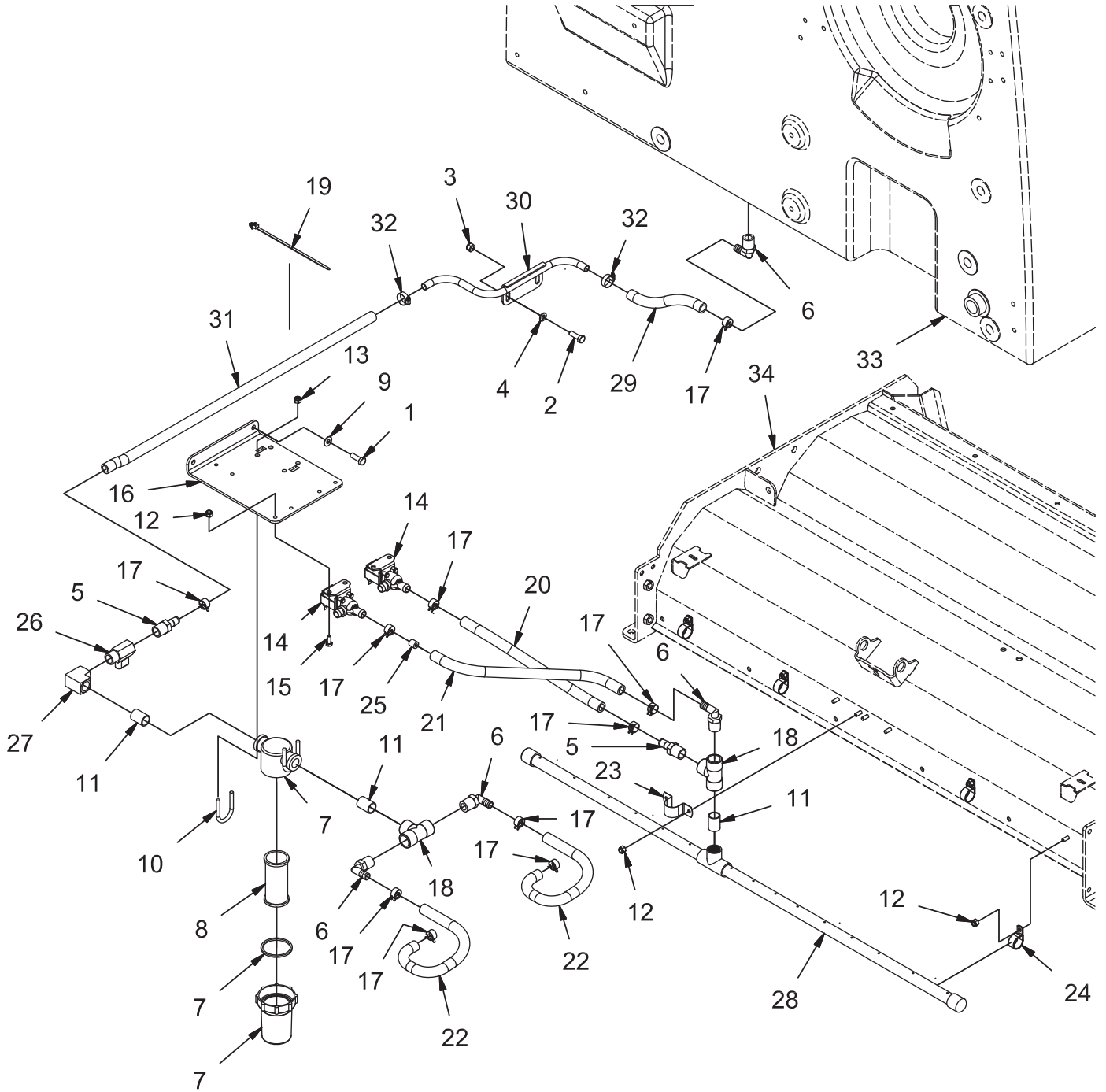
REV A



**SOLUTION TANK GROUP (770104)**

Parts List 770104			
ITEM	PART NUMBER	QTY	DESCRIPTION
1	11038247	1	BLT-HH M8-1.25 X 25 STL ZINC
2	11177161	1	SCREW, M6-1.00 X 25 BUTTON HD CAP W/FLANGE SS
3	11177253	1	SC BHCS W/ FLANGE M8-1.25 X 12 SS
4	3300376	1	STUD, 10MM BALL
5	3302737-1	1	WIRE ASSY, SWITCH - LEVEL LS7
6	3312189	2	CLAMP, HOSE, 2.00
7	3400087	4	WASHER, 3/8
8	3400278	2	WASHER, FENDER, 3/8
9	3400340	4	NUT, 3/8-16 ESN SS
10	3400384	1	WASHER, 5/16 BELLEVILLE
11	3400385	10	WASHER, 3/8, BELLEVILLE
12	500122	2	1/2 NPT PLASTIC PLUG
13	600933	1	NUT, M6-1.00 ESN SS
14	713041	2	SCREW, 3/8-16 X .750 HHC
15	713042	2	SCREW, 3/8-16 X 1.000 HHC
16	730480	1	COVER, ACCESS, SOL TANK
17	730491	2	BRACKET, TANK MNT
18	730492	2	BRACKET, TANK MNT
19	730493	1	ROD, SOL COVER
20	730494	1	SEAL, SOL COVER
21	730518	1	TUBE, SS
22	730520	1	LANYARD, CAP
23	730525	1	RETAINER, COVER
24	730526	1	WASHER, M8 FENDER SS
25	730529	2	SCREW, 3/8-16 X 1.00 HH SS
26	730531	1	PLUG, EXPANSION, 1.88
27	730959	6	SCREW, 3/8-16 X .750 HHC SS
28	731273-1	1	BRACKET, SUPPORT
29	770378	1	TANK, SOLUTION, HD
30	770447	1	WELDMENT, TANK SUPPORT
31	770460	1	INDICATOR, FULL TANK
32	770461	1	ASSEMBLY, SOL DRAIN HOSE
33	PART OF 731273-1	1	FRICITION STRIP 281470-1
34	REF.	-	WELDMENT, RH PILLAR

SOLUTION CONTROL GROUP (770114)

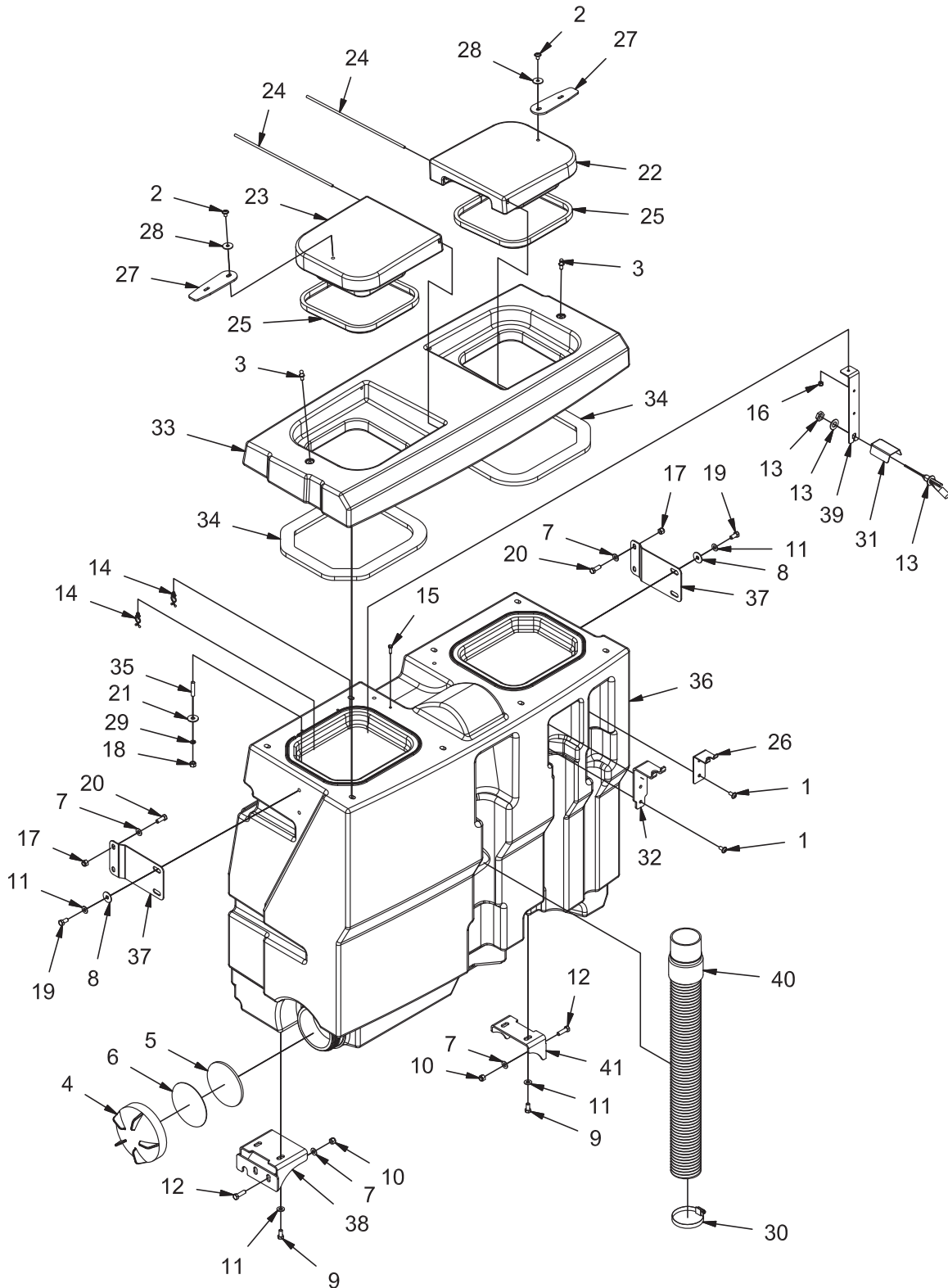


REV B

**SOLUTION CONTROL GROUP (770114)**

Parts List 770114			
ITEM	PART NUMBER	QTY	DESCRIPTION
1	11038247	2	BLT-HH M8-1.25 X 25 STL ZINC
2	11039567	2	BOLT, M8-1.25 X 25 HH SS
3	12040259	2	NUT, M8-1.25 ESN SS
4	12310041	2	WASHER, M8
5	3315534	2	FITTING, PLASTIC, STR, .50 NPT .50 BARB
6	3315535	4	FITTING, PLASTIC, 90, .50 NPT .50 BARB
7	3323501	1	FILTER ASSEMBLY
8	3332264	1	FILTER ELEMENT - SERVICE
9	3400384	2	WASHER, 5/16 BELLEVILLE
10	3401981	2	CLAMP
11	383465	3	1/2 NPT CLOSE PIPE NIPPLE, BRASS
12	600933	10	NUT, M6-1.00 ESN SS
13	712667	4	NUT, FIBER INSERT 1/4-20 SS
14	730899	2	VALVE, SOLENOID, 12-V W/.406 DIA. ORIFICE
15	730934	4	BOLT, M6-1.00 X 16 HH SS
16	730955	1	BRACKET, FILTER MNT
17	730962	10	CLAMP, WIRE HOSE
18	730966	2	FITTING, PVC TEE, FEMALE 1/2 NPT
19	730968	4	TIE, MOUNTED CABLE
20	730971	1	TUBING, .50 ID X 18.50 VINYL
21	730972	1	TUBING, .50 ID X 20.75 VINYL
22	730973	2	TUBING, .50 ID X 14.00 VINYL
23	730974	1	CLAMP, CONDUIT, 1"
24	731218	4	CLAMP, .88 HOSE
25	731244	1	ORIFICE, SOLUTION
26	731378	1	BALL VALVE, 1/2" NPT, BRASS
27	731380	1	FITTING, ELBOW, 1/2" FNPT, BRASS
28	731389	1	SOLUTION DELIVERY BAR
29	770524	1	TUBING, .50 ID X 6.75 VINYL
30	770525	1	WELDMENT, SOLUTION TUBE
31	770529	1	TUBING, .50 ID X 28.00 VINYL
32	829129	2	CLAMP, HOSE
33	REF.	-	SOLUTION TANK
34	REF.	-	SCRUB HEAD

RECOVERY TANK GROUP (770102)

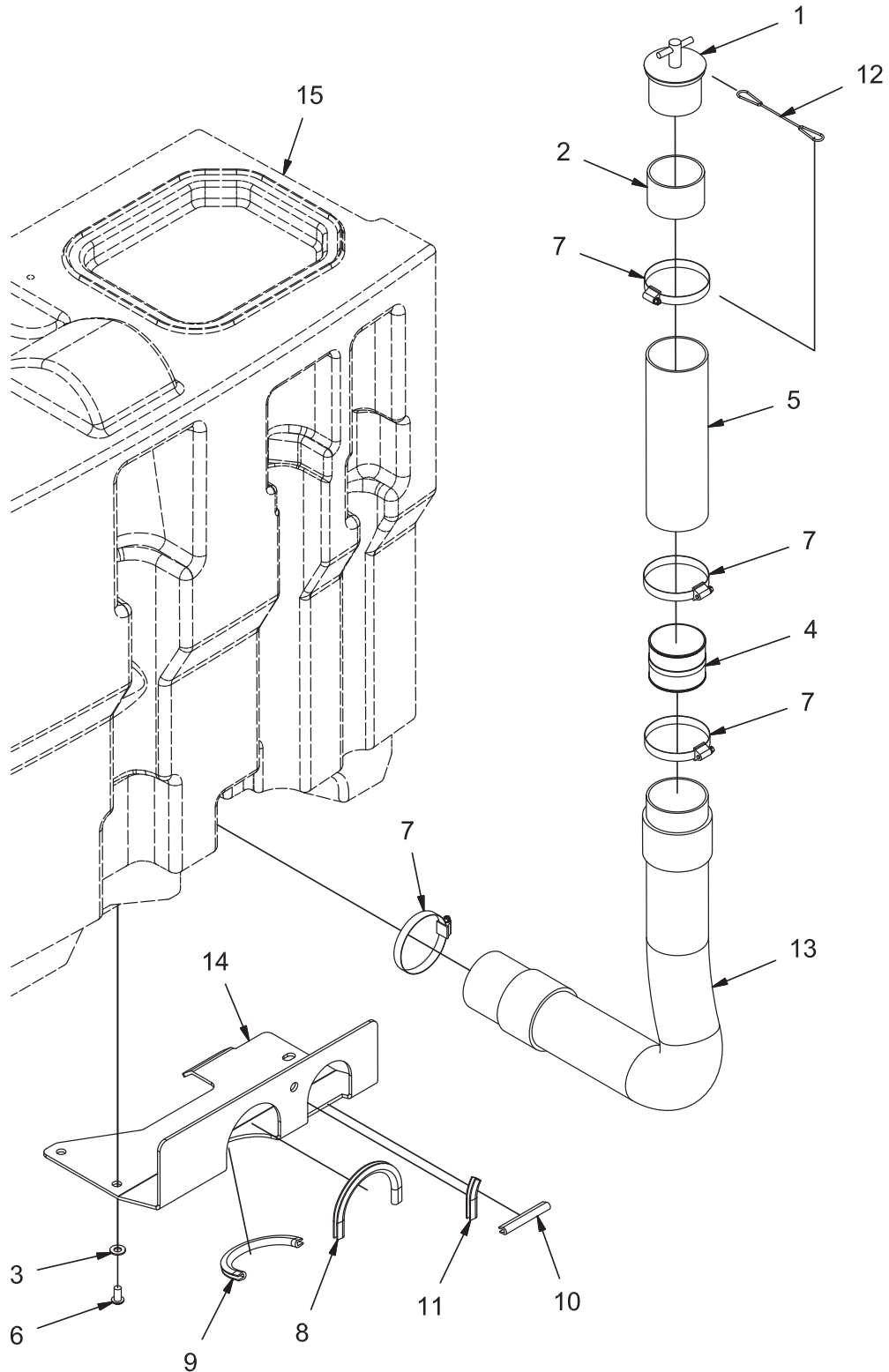


REV D

**RECOVERY TANK GROUP (770102)**

Parts List - 770102			
ITEM	PART NUMBER	QTY	DESCRIPTION
1	11177187	4	SC-BHCS W/ FLANGE M8 X 1.25 X 16 SS
2	11177253	2	SC BHCS W/ FLANGE M8-1.25 X 12 SS
3	3300376	2	STUD, 10MM BALL
4	3309006	1	CAP, 6 INCH
5	3309070	1	GASKET, 6" PLASTIC CAP
6	3309099	1	PLATE, BACKING FOR 6" CAP
7	3400087	8	WASHER, 3/8
8	3400278	4	WASHER, FENDER, 3/8
9	3400335	2	SCREW, 3/8-16 X .750 HH SS
10	3400340	4	NUT, 3/8-16 ESN SS
11	3400385	6	WASHER, 3/8, BELLEVILLE
12	3402010	4	SCREW, 3/8-16 X 1.25 HH SS
13	500133-1	1	SWITCH, FLOAT
14	600581	2	CLAMP, WIRE CLIP
15	600913	1	BOLT, M6-1.00 X 20 HH SS
16	600933	1	NUT, M6-1.00 ESN SS
17	711380	4	NUT, FIBER INSERT 3/8-16
18	712695	8	NUT, HEX 3/8-16 SS
19	713041	4	SCREW, 3/8-16 X .750 HHC
20	713042	4	SCREW, 3/8-16 X 1.000 HHC
21	717040	8	WASHER, FENDER, .413 B 1.18 OD .098 T SS
22	730497	1	COVER, LH REC TANK
23	730503	1	COVER, RH REC TANK
24	730504	2	ROD, REC COVER
25	730505	2	SEAL, REC COVER
26	730519	1	RETAINER, SOL HOSE
27	730525	2	RETAINER, COVER
28	730526	2	WASHER, M8 FENDER SS
29	730527	8	LOCK WASHER, M8, SS
30	731144	1	CLAMP, HOSE, 2.25 - 3.25
31	731415	1	GUARD, FLOAT
32	731528	1	RETAINER, RECOVERY HOSE
33	770440	1	DEMISTER, HIGH DUMP
34	770441	2	SEAL, DEMISTER
35	3402010	8	STUD, 3/8-16 X 1.25 SS
36	770443	1	RECOVERY TANK, HIGH DUMP
37	770444	2	PLATE, SIDE MNT
38	770456	1	WELDMENT, TANK BRACKET
39	770458	1	REC TANK FLOAT SW MNT
40	770459	1	ASSEMBLY, UPPER SQUEEGEE HOSE
41	770578	1	WELDMENT, LH TANK BRACKET

RECOVERY TANK DRAIN GROUP (770124)

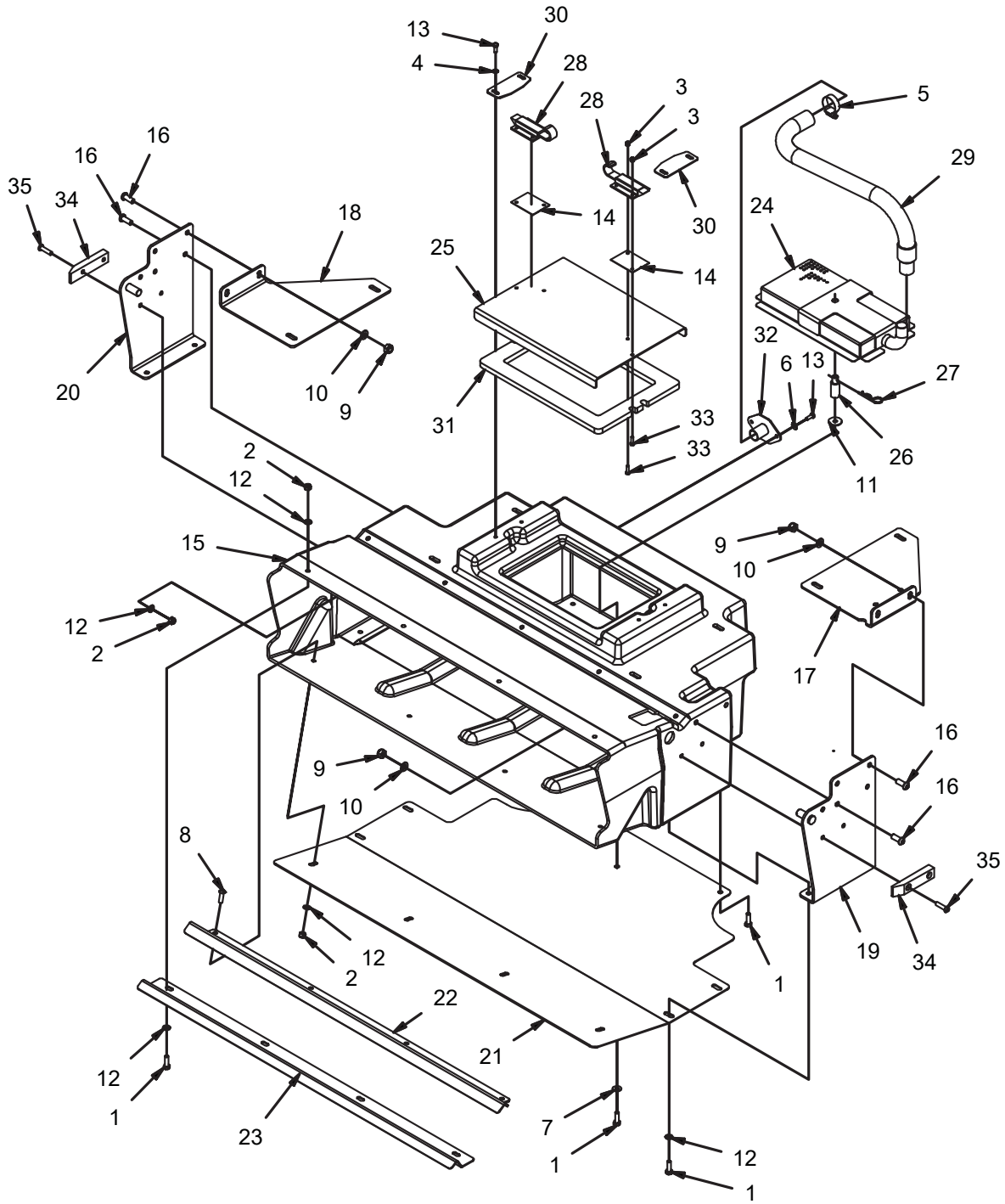


REV D

**RECOVERY TANK DRAIN GROUP (770124)**

Parts List			
ITEM	PART NUMBER	QTY	DESCRIPTION
1	3336089	1	PLUG, EXPANSION, 1.88
2	3345608	1	SUPPORT TUBE-SS, DRAIN HOSE
3	3400385	3	WASHER, 3/8, BELLEVILLE
4	730511	1	W/D, VALVE BODY, TUBE
5	730517	1	TUBE, DRAIN VALVE
6	731143	3	BOLT, 3/8-16 X .75 BUTTON HD CAP SS
7	731144	4	CLAMP, HOSE, 2.25 - 3.25
8	731529	1	EDGING, 3/16
9	731530	1	EDGING, 3/16
10	731531	1	EDGING, 3/16
11	731532	1	EDGING, 3/16
12	731539	1	LANYARD
13	731533	1	ASSEMBLY, REC DRAIN HOSE
14	770646	1	PLATE, HOSE GUIDE
15	REF.	-	TANK, RECOVERY, HD

HOPPER GROUP (770113)



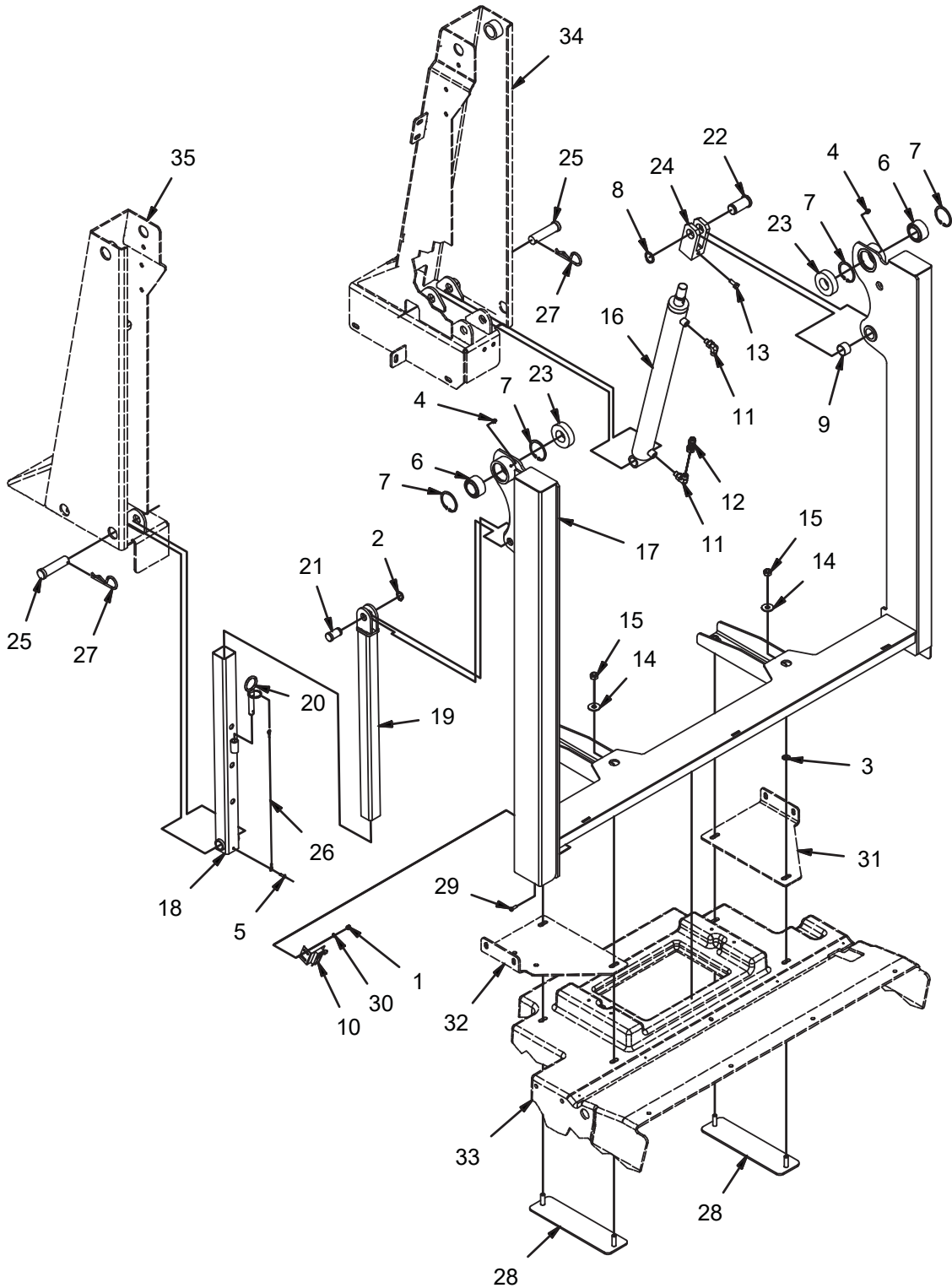
REV A



**HOPPER GROUP (770113)**

Parts List 770113			
ITEM	PART NUMBER	QTY	DESCRIPTION
1	11039567	11	BOLT, M8-1.25 X 25 HH SS
2	12040259	18	NUT, M8-1.25 ESN SS
3	12040283	4	NUT, M5 - 0.8 ESN SS
4	12310033	4	WASHER, M6
5	3302193	1	CLAMP, HOSE, .75 - 1.25
6	3400383	2	WASHER, 1/4 BELLEVILLE
7	3400384	1	WASHER, 5/16 BELLEVILLE
8	600917	4	SCREW, M8-1.25 X 25 BUTTON HD CAP SS
9	730339	8	NUT, M10-1.50 ESN SS
10	730344	8	WASHER, M10 SS
11	730526	1	WASHER, M8 FENDER SS
12	730609	26	WASHER, M8 SS
13	730934	6	BOLT, M6-1.00 X 16 HH SS
14	770594	2	PLATE, SPACER
15	770487	1	HOPPER, HIGH DUMP
16	770488	8	BOLT, M10-1.50 X 25 BUTTON HD CAP
17	770489	1	WELDMENT, LH HOPPER MOUNT
18	770491	1	MOUNT, RH HOPPER
19	770492	1	WELDMENT, LH SIDE SUPPORT
20	770495	1	WELDMENT, RH SIDE SUPPORT
21	770500	1	SKID PLATE, HOPPER
22	770502	1	LIP, HOPPER
23	770503	1	ANGLE, UPPER
24	770505	1	WELDMENT, SEPARATOR
25	770509	1	COVER, HOPPER
26	770510	1	PIN, STRAINER
27	770511	1	HAIR PIN COTTER, .50 - .56 SS
28	770512	2	LATCH, PULL
29	770513	1	ASSEMBLY, HOSE, 1"
30	770514	2	PLATE, STRIKER
31	770515	1	SEAL, HOPPER ACCESS
32	770520	1	WELDMET, SEAL FACE
33	770528	4	SCREW, M5-0.8 X 16 HH SS
34	770535	2	GUIDE
35	770536	4	SCREW, M8-1.25 X 30 BUTTON HD CAP SS

HOPPER LIFT GROUP (770111)

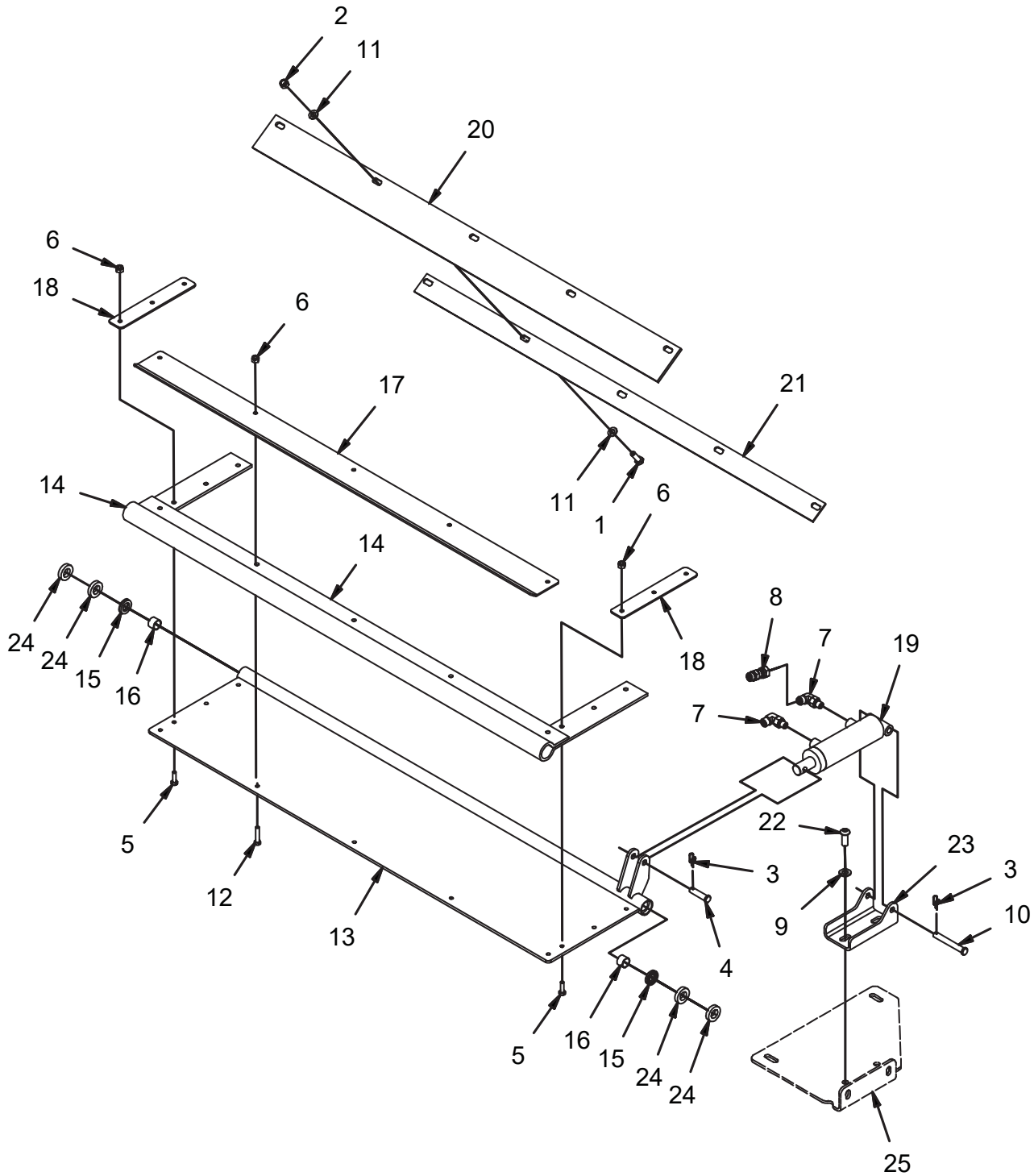


REV B

**HOPPER LIFT GROUP (770111)**

Parts List - 770111			
ITEM	PART NUMBER	QTY	DESCRIPTION
1	12040283	2	NUT, M5 - 0.8 ESN SS
2	172425	1	RETAINING RING, EXT, .750 HD
3	3316981	4	PUSH NUT, M8
4	3400012	2	GREASE ZIRK
5	3400484	1	RIVET, MULTI-GRIP
6	600109	2	BEARING, SPHERICAL
7	600575	4	RING, RETAINING INT, 2.00
8	600577	1	RETAINING RING, EXT, 1.00 HD
9	600801	1	BEARING, FIBERGLIDE 1.00 ID .75 T
10	600530-1	1	SWITCH, LIMIT, NC
11	675507	2	FITTING, 90, -4 ORFS - 4 SAE
12	675622	1	FITTING, ORIFICE, .031
13	711228	1	SCREW, 5/16-18 X .750 HHC
14	717040	4	WASHER, FENDER, .413 B 1.18 OD .098 T SS
15	730339	4	NUT, M10-1.50 ESN SS
16	770300	1	CYLINDER, HYD, 1.5 B X 15.5 STK
17	770357	1	WELDMENT, HOPPER LIFT ARM
18	770366	1	WELDMENT, SAFETY TUBE
19	770370	1	WELDMENT, UPPER SAFETY TUBE
20	770374	1	SAFETY PIN
21	770377	1	PIN, UPPER SAFETY TUBE
22	770380	1	PIN, UPPER CYLINDER
23	770397	2	SPACER, 1.255 B 2.50 OD .688T
24	770398	1	CLEVIS
25	770464	2	CLEVIS PIN, .88 X 3.25
26	770466	1	LANYARD
27	770468	2	COTTER, HAIR SPRING, 7/8 - 1
28	770497	2	WELDMENT, BACK PLATE
29	770528	2	SCREW, M5-0.8 X 16 HH SS
30	770538	2	WASHER, M5 SS
31	REF	1	RH HOPPER MOUNT
32	REF	-	LH HOPPER MOUNT
33	REF	-	HOPPER
34	REF.	-	RIGHT PILLAR
35	REF.	-	LEFT PILLAR

HOPPER DUMP DOOR GROUP (770112)

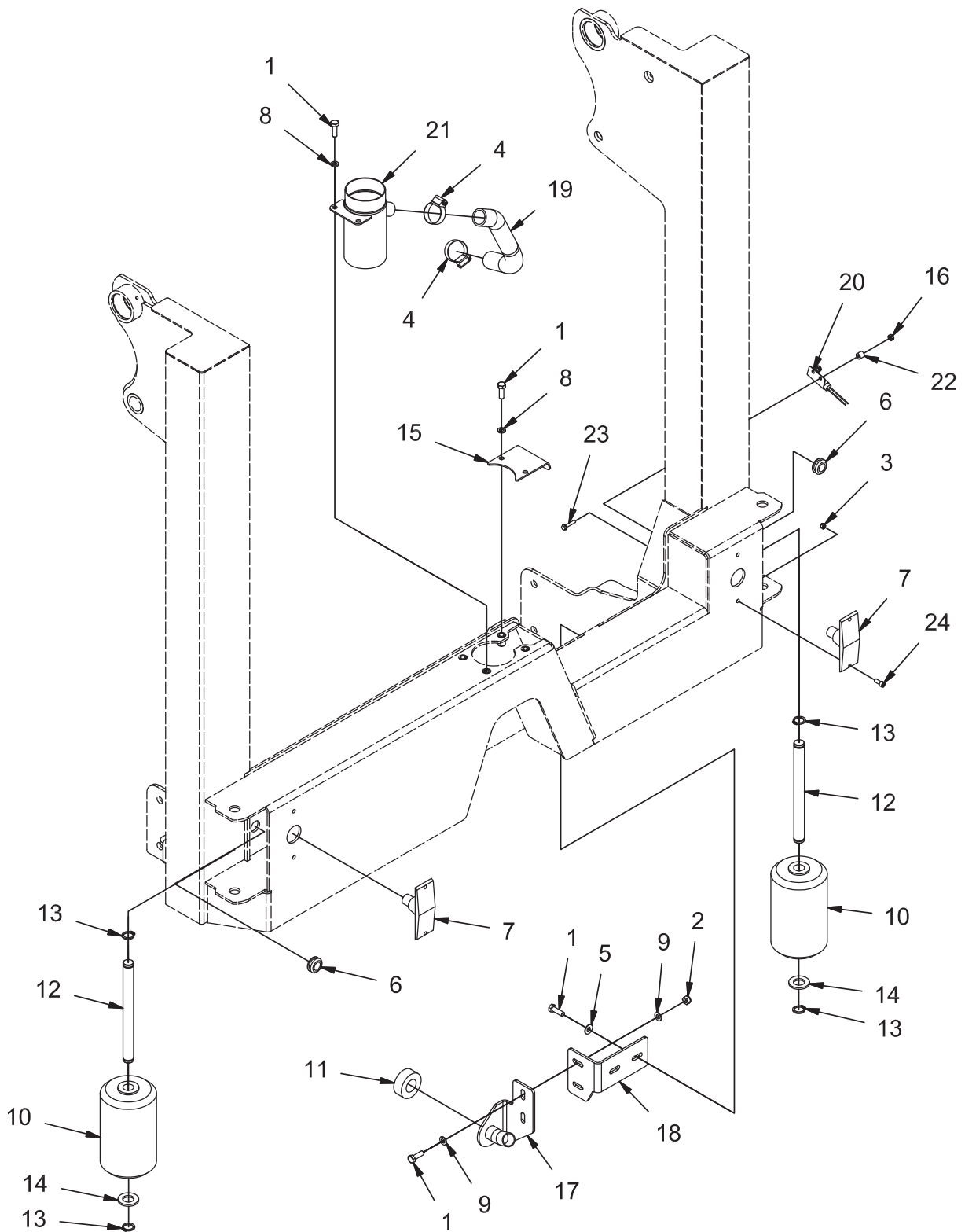


REV B

**HOPPER DUMP DOOR GROUP (770112)**

Parts List 770112			
ITEM	PART NUMBER	QTY	DESCRIPTION
1	11039567	5	BOLT, M8-1.25 X 25 HH SS
2	12040259	5	NUT, M8-1.25 ESN SS
3	3400125	2	RUE-RING, .375
4	600573	1	PIN, CLEVIS, 3/8 X 1.50
5	600913	6	BOLT, M6-1.00 X 20 HH SS
6	600933	11	NUT, M6-1.00 ESN SS
7	675507	2	FITTING, 90, -4 ORFS - 4 SAE
8	675547	1	FITTING, ORIFICE, .047
9	730344	2	WASHER, M10 SS
10	730602	1	PIN, CLEVIS, .375 X 2.75
11	730609	10	WASHER, M8 SS
12	731050	5	BOLT, M6-100 X 30 HH SS
13	770306	1	WELDMENT, HOPPER DOOR
14	770312	1	SEAL, HOPPER DOOR
15	770474	2	SEAL, .625, LOADED LIP
16	770475	2	BEARING, FIBERGLIDE .625 ID .50 T
17	770476	1	RETAINER, SEAL
18	770477	2	RETAINER, SEAL
19	770478	1	CYLINDER, HOPPER DOOR
20	770479	1	SEAL, UPPER DOOR
21	770480	1	RETAINER, UPPER DOOR SEAL
22	770488	2	BOLT, M10-1.50 X 25 BUTTON HD CAP
23	770499	1	MOUNT, DOOR CYL
24	770501	4	SEAL, DOOR PIN
25	REF.	-	LH HOPPER MOUNT

REAR BUMPER GROUP (770115)

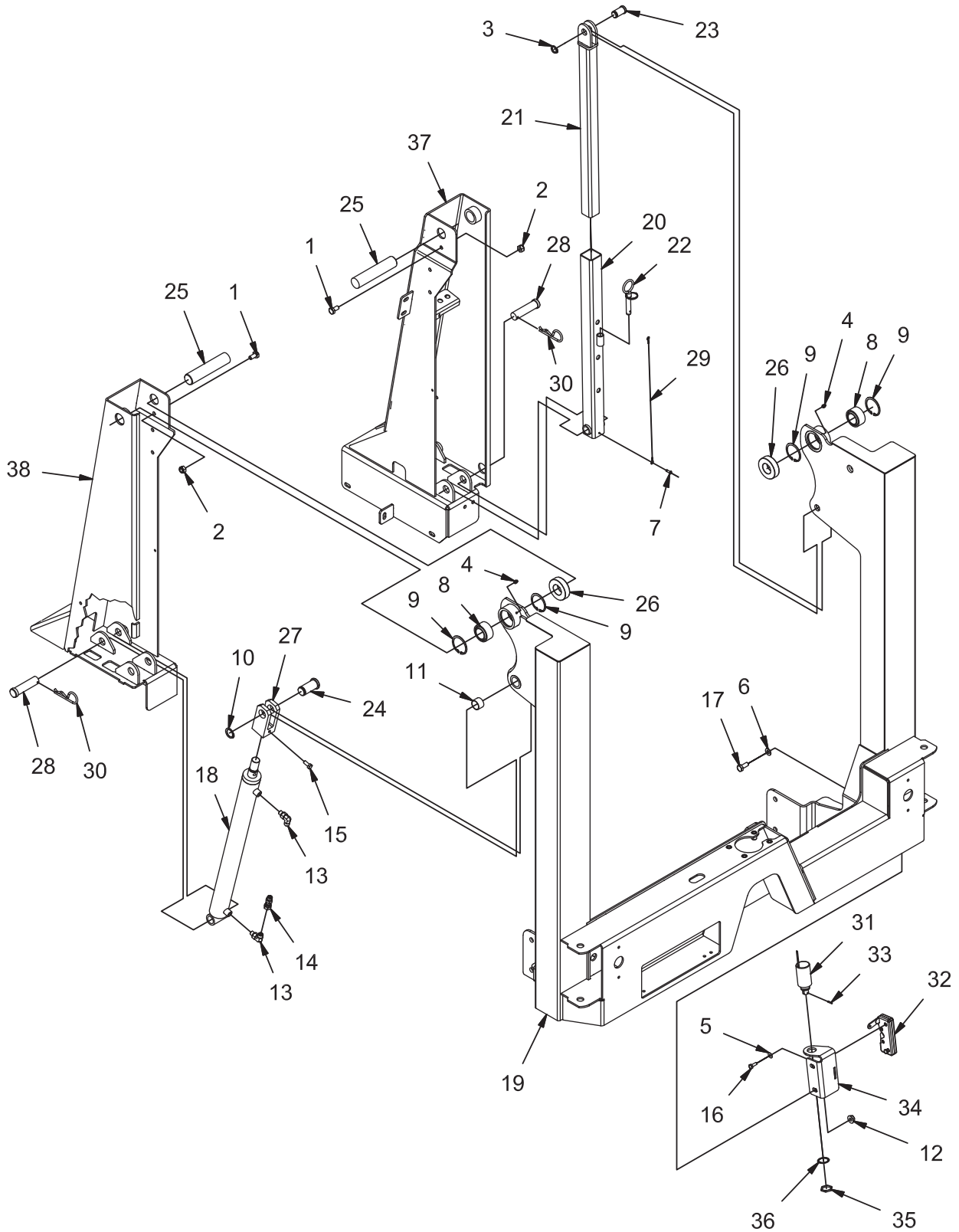


REV D

**REAR BUMPER GROUP (770115)**

Parts List 770115			
ITEM	PART NUMBER	QTY	DESCRIPTION
1	11039567	8	BOLT, M8-1.25 X 25 HH SS
2	12040259	2	NUT, M8-1.25 ESN SS
3	12040283	4	NUT, M5 - 0.8 ESN SS
4	3302193	2	CLAMP, HOSE, .75 - 1.25
5	3400384	2	WASHER, 5/16 BELLEVILLE
6	600151	2	GROMMET, .63 ID .88 OD .25 T
7	600514-6	2	TAIL LIGHT
8	730527	4	LOCK WASHER, M8, SS
9	730609	4	WASHER, M8 SS
10	730719	2	ROLLER
11	730848	1	SEAL
12	730876	2	PIN, ROLLER
13	730877	4	RETAINING RING, EXT, .750
14	730886	2	FLAT WASHER, .75 ZP
15	731189	1	COVER, HOSE PORT
16	731242	2	NUT, 10-32 ESN SS
17	770516	1	WELDMENT, HOSE ADJ
18	770518	1	BRACKET, ADJ
19	770645	1	TUBING, HOPPER VAC
20	770589-1	1	SWITCH, TILT
21	770591	1	WELDMENT, HD SQU TUBE
22	770599	2	SPACER, .203 B .438 OD .400 T
23	713597	2	SCR-HEX,#10-32 X 1.00 ZP
24	831206	4	SCREW, M5-0.8 X 16 SHCS ZP
25	REF	-	SQUEEGEE LIFT ARM

BUMPER LIFT GROUP (770110)



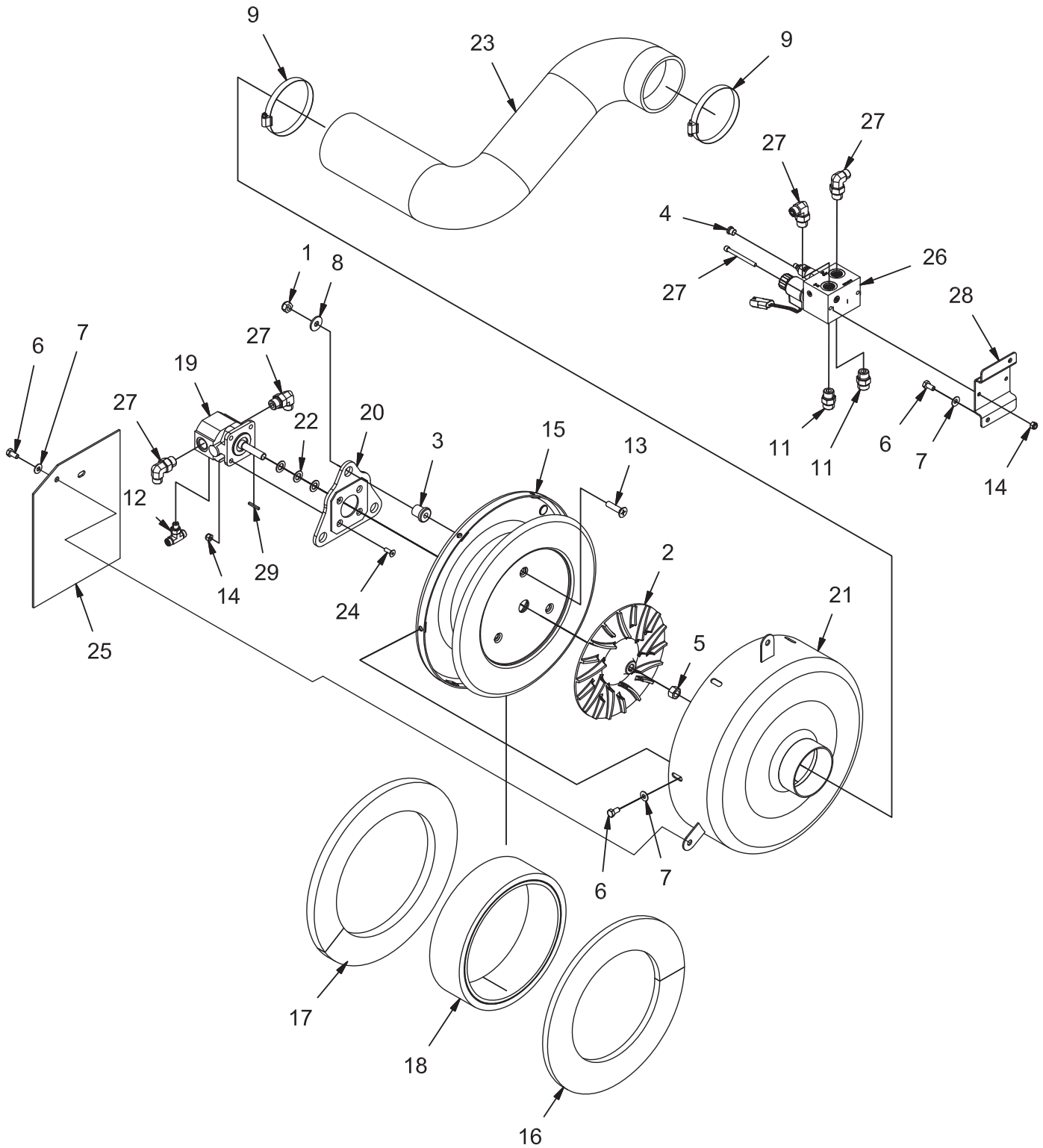
REV B



**BUMPER LIFT GROUP (770110)**

Parts List - 770110			
ITEM	PART NUMBER	QTY	DESCRIPTION
1	11038353	2	BOLT, M10-1.50 X 20 HH
2	12040069	2	NUT, M10-1.50 ESN
3	172425	1	RETAINING RING, EXT, .750 HD
4	3400012	2	GREASE ZIRK
5	3400383	4	WASHER, 1/4 BELLEVILLE
6	3400385	2	WASHER, 3/8, BELLEVILLE
7	3400484	1	RIVET, MULTI-GRIP
8	600109	2	BEARING, SPHERICAL
9	600575	4	RING, RETAINING INT, 2.00
10	600577	1	RETAINING RING, EXT, 1.00 HD
11	600801	1	BEARING, FIBERGLIDE 1.00 ID .75 T
12	600936	2	NUT, M10-1.50 FLNG
13	675507	2	FITTING, 90, -4 ORFS - 4 SAE
14	675622	1	FITTING, ORIFICE, .031
15	711228	1	SCREW, 5/16-18 X .750 HHC
16	712562	4	SCREW, 1/4-20 X .75 HH SS
17	730958	2	BOLT, M10-1.50 X 25 HH SS
18	770300	1	CYLINDER, HYD, 1.5 B X 15.5 STK
19	770334-1	1	ASSEMBLY, SQUEEGEE LIFT
20	770366	1	WELDMENT, SAFETY TUBE
21	770370	1	WELDMENT, UPPER SAFETY TUBE
22	770374	1	WELDMENT, SAFETY PIN
23	770377	1	PIN, UPPER SAFETY TUBE
24	770380	1	PIN, UPPER CYLINDER
25	770394	2	WELDMENT, PIVOT PIN
26	770397	2	SPACER, 1.255 B 2.50 OD .688T
27	770398	1	CLEVIS
28	770464	2	CLEVIS PIN, .88 X 3.25
29	770466	1	LANYARD
30	770468	2	COTTER, HAIR SPRING, 7/8 - 1
31	770472-1	1	WIRE ASSY, SOLENOID
32	770473	1	LATCH, MECH
33	770537	1	ROLL PIN, SPLIT, 1/8 ZP
34	770552	1	WELDMENT, LATCH MNT
35	PART OF 770472	1	NUT
36	PART OF 770472	1	LOCK WASHER
37	REF.	-	RIGHT PILLAR
38	REF.	-	LEFT PILLAR

IMPELLER GROUP (730126)

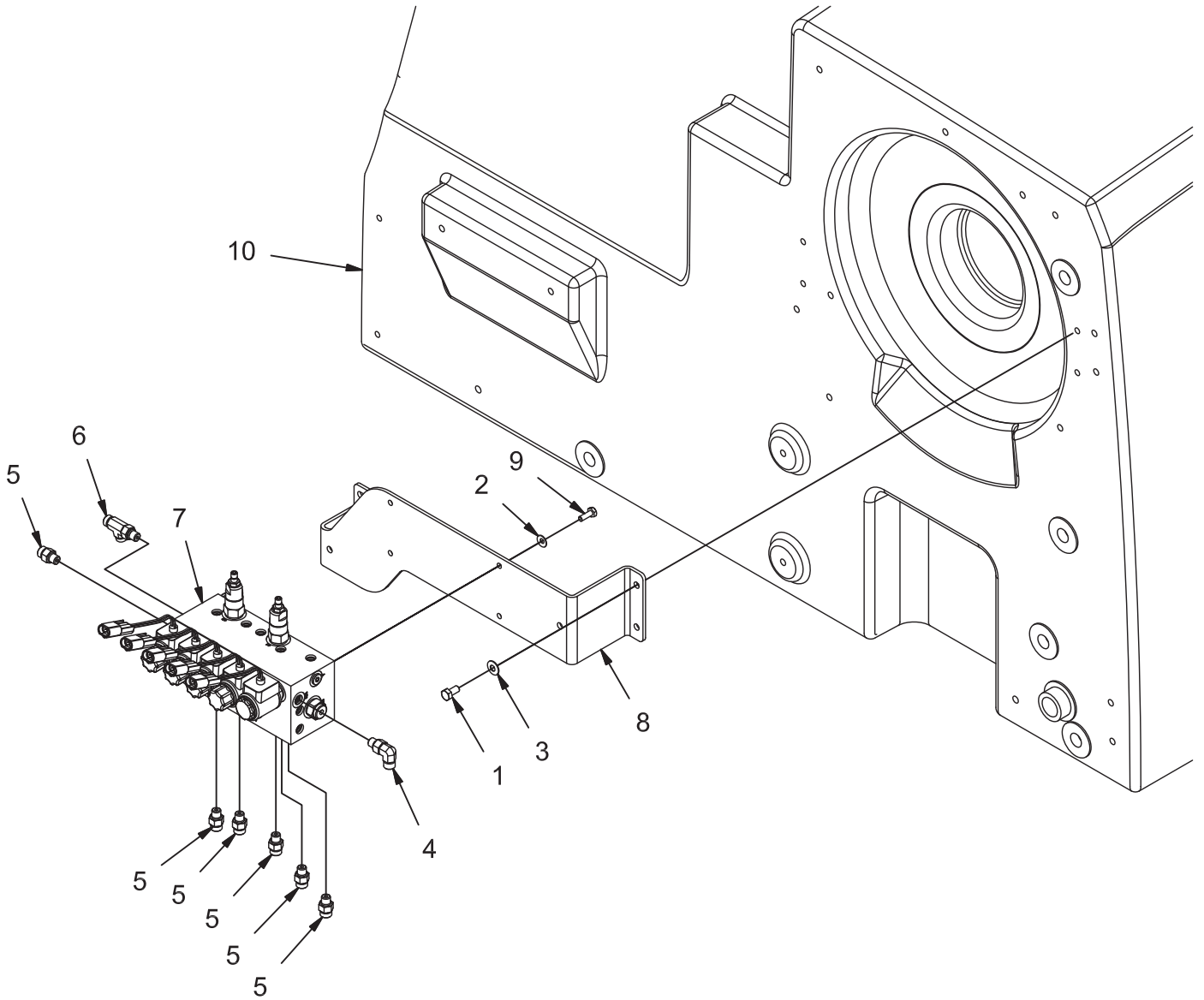


REV J

**IMPELLER GROUP (730126)**

Parts List 730126			
ITEM	PART NUMBER	QTY	DESCRIPTION
1	12040069	3	NUT, M10-1.50 ESN
2	3300133	1	IMPELLER
3	3300465	3	ISOLATOR, VIB
4	3331436	1	FITTING, PLUG, 4 O-RING
5	3400064	1	NUT, 1/2-20 UNF ZP
6	3400291	11	BOLT, M8-1.25 X 16 HH
7	3400384	11	WASHER, 5/16 BELLEVILLE
8	600363	3	WASHER, ISOLATOR
9	620176	2	CLAMP, HOSE, 4"
10	675520	4	FITTING, 90, 6 ORFS - 6 O-RING
11	675524	2	FITTING, STR, -8 ORFS - 8 SAE
12	675556	1	FITTING, TEE, 4 ORFS - 4 SAE
13	710028	3	SCREW, M10-1.50 X 40 FHMS
14	711373	6	NUT, FIBER INSERT 1/4-20
15	730463-1	1	IMPELLER HOUSING, MACHINED
16	730466	1	INSULATION, SOUND
17	730467	1	INSULATION, SOUND
18	730468	1	INSULATION, SOUND
19	730470	1	MOTOR, HYD, GEAR
20	730471	1	WELDMENT, MOTOR MNT
21	730474	1	WELDMENT, IMPELLER SHROUD
22	730479	3	PRECISION WASHER, .88 D .51 B .060 T
23	730501	1	HOSE, VACUUM FAN
24	730562	4	SCREW, 1/4-20 X .750 FHMS ZP
25	730639	1	FLAP, IMPELLER
26	730790-1	1	MANIFOLD, IMPELLER
27	730889	2	BOLT, 1/4-20 X 2.75 SOC HD ZP
28	730891	1	BRACKET, MANIFOLD
29	PART OF 730470	1	KEY, .125 SQ X 1.00

IMPELLER HYDRAULIC MANIFOLD GROUP (770116)

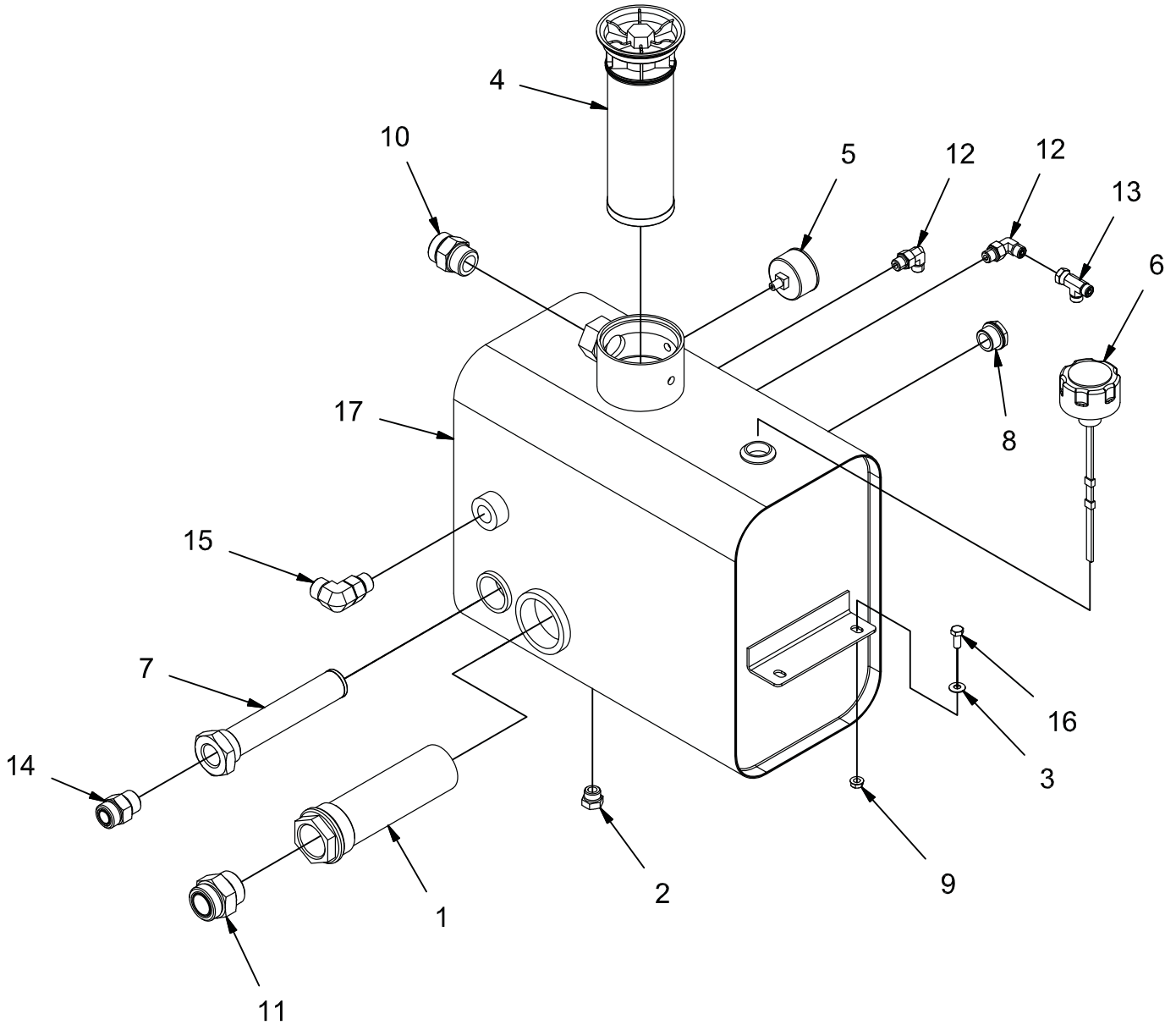


REV E

**IMPELLER HYDRAULIC MANIFOLD GROUP (770116)**

Parts List 770116			
ITEM	PART NUMBER	QTY	DESCRIPTION
1	3400291	3	BOLT, M8-1.25 X 16 HH
2	3400383	4	WASHER, 1/4 BELLEVILLE
3	3400384	3	WASHER, 5/16 BELLEVILLE
4	675507	1	FITTING, 90, -4 ORFS - 4 SAE
5	675508	6	FITTING, STR, 4 ORFS - 4-SAE
6	675509	1	FITTING, RUN TEE -4 ORFS TO -4 SAE
7	770557-1	1	HIGH DUMP MANIFOLD
8	770558	1	MOUNT, HIGH DUMP MANIFOLD
9	713002	4	SCREW, 1/4-20 X .750 HHC
10	REF.	-	HD SOLUTION TANK

HYDRAULIC RESERVOIR GROUP (730127)

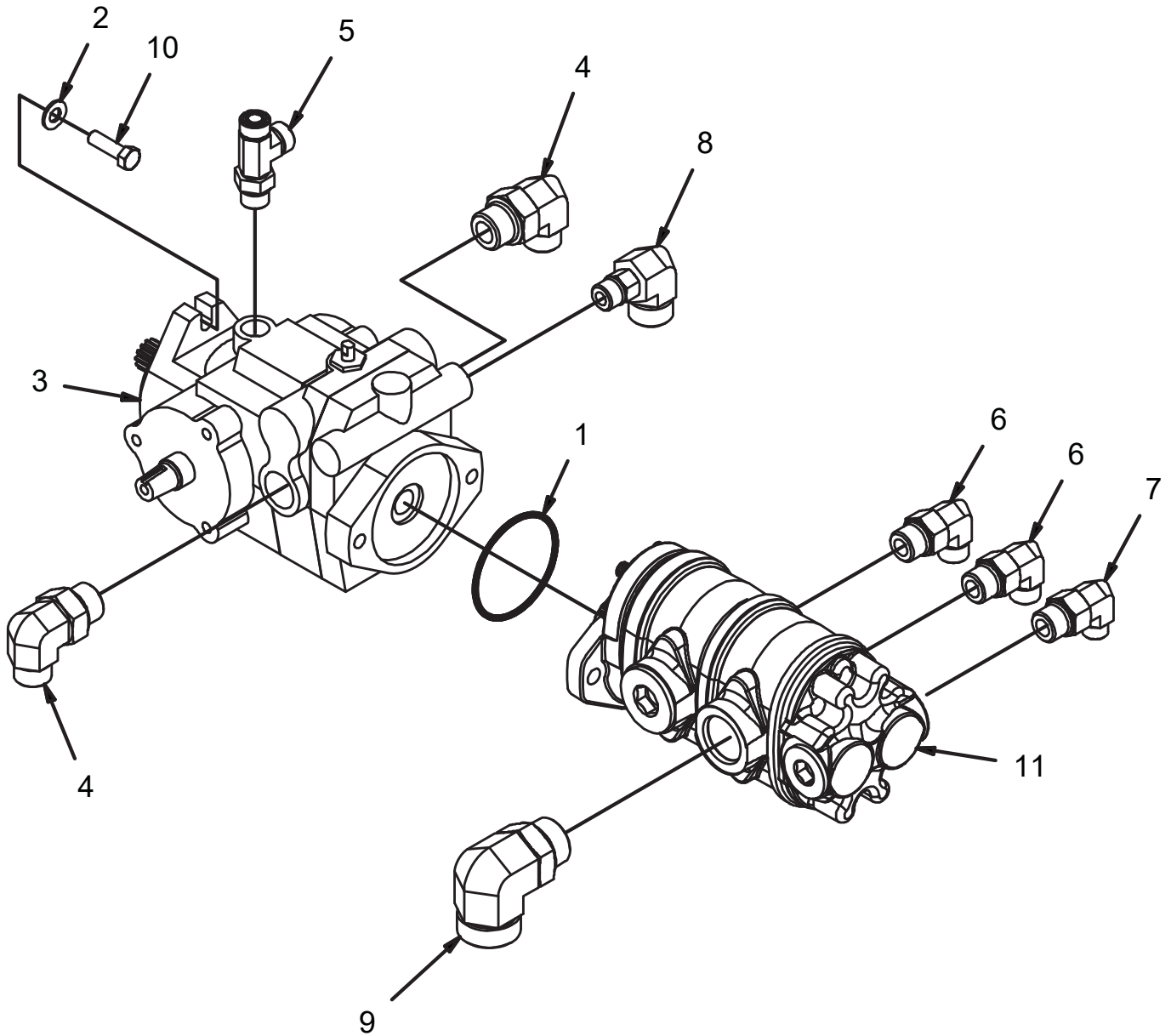


REV \*

**HYDRAULIC RESERVOIR GROUP (730127)**

Parts List 730127			
ITEM	PART NUMBER	QTY	DESCRIPTION
1	3343836	1	STRAINER, HYDRAULIC, 20
2	3400164	1	FITTING, PLUG, 8 O-RING
3	3400384	4	WASHER, 5/16 BELLEVILLE
4	600182	1	FILTER ELEMENT, 10 MIC
5	600183	1	GAUGE, 0-60 PSI
6	600184	1	FILLER-BREATHER, 10 MIC
7	600185	1	STRAINER, 12
8	600531	1	SIGHT GAUGE
9	600934	4	NUT, M8-1.25 FLNG
10	675505	1	FITTING, STR, 16 ORFS - 16 SAE
11	675539	1	FITTING, STR, 20 ORFS - 20 SAE
12	675546	2	FITTING, 90, 4 ORFS - 6 SAE
13	675549	1	FITTING, RUN TEE, 4 ORFS - 4 SAE
14	675551	1	FITTING, STR, 12 ORFS - 12 SAE
15	675557	1	FITTING, 90, 10 ORFS - 10 SAE
16	717024	4	BOLT, M8-1.25 X 20 HH
17	730309	1	TANK, HYD RESERVOIR

HYDRAULIC PUMP GROUP (730136)



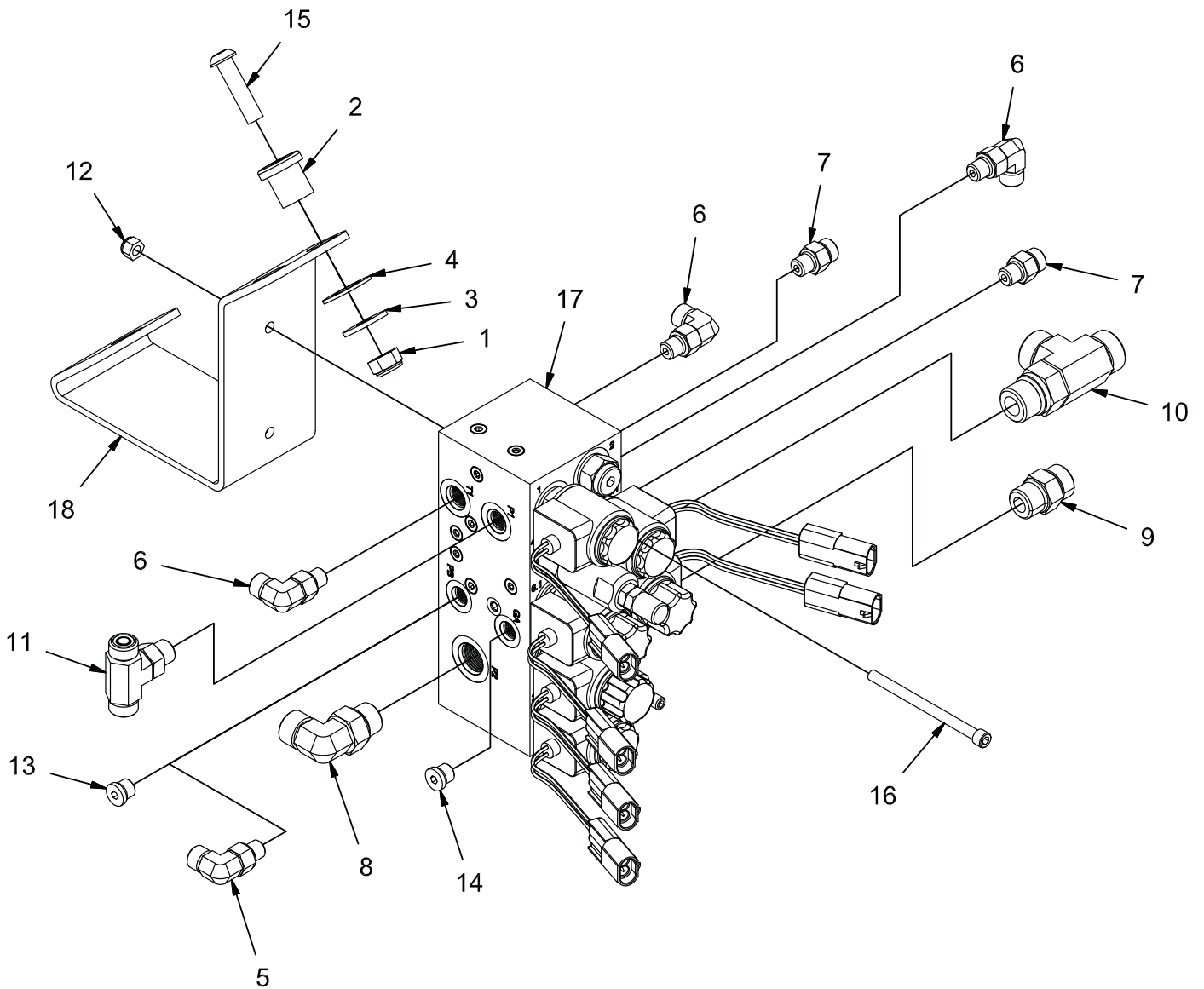
REV A



**HYDRAULIC PUMP GROUP (730136)**

Parts List - 730136			
ITEM	PART NUMBER	QTY	DESCRIPTION
1	3303711	1	O-RING
2	3400385	2	WASHER, 3/8, BELLEVILLE
3	600215	1	PUMP, PROPULSION
4	675500	2	FTG - ELBOW -10 ORFS TO -12 SAE
5	675525	1	FITTING, RUN TEE, 8 ORFS - 8 ORFS - 8 SAE
6	675528	2	FITTING, 90, -8 ORFS - 10 SAE
7	675532	1	FITTING, 90, 6 ORFS - 10 SAE
8	675543	1	FITTING, 90, 12 ORFS - 8 SAE
9	675553	1	FTG-STR THD 90 -20 ORFC TO -16 SAE
10	713043	2	SCREW, 3/8-16 X 1.25 HH
11	730310	1	PUMP, AUX

HYDRAULIC VALVE GROUP (730137)

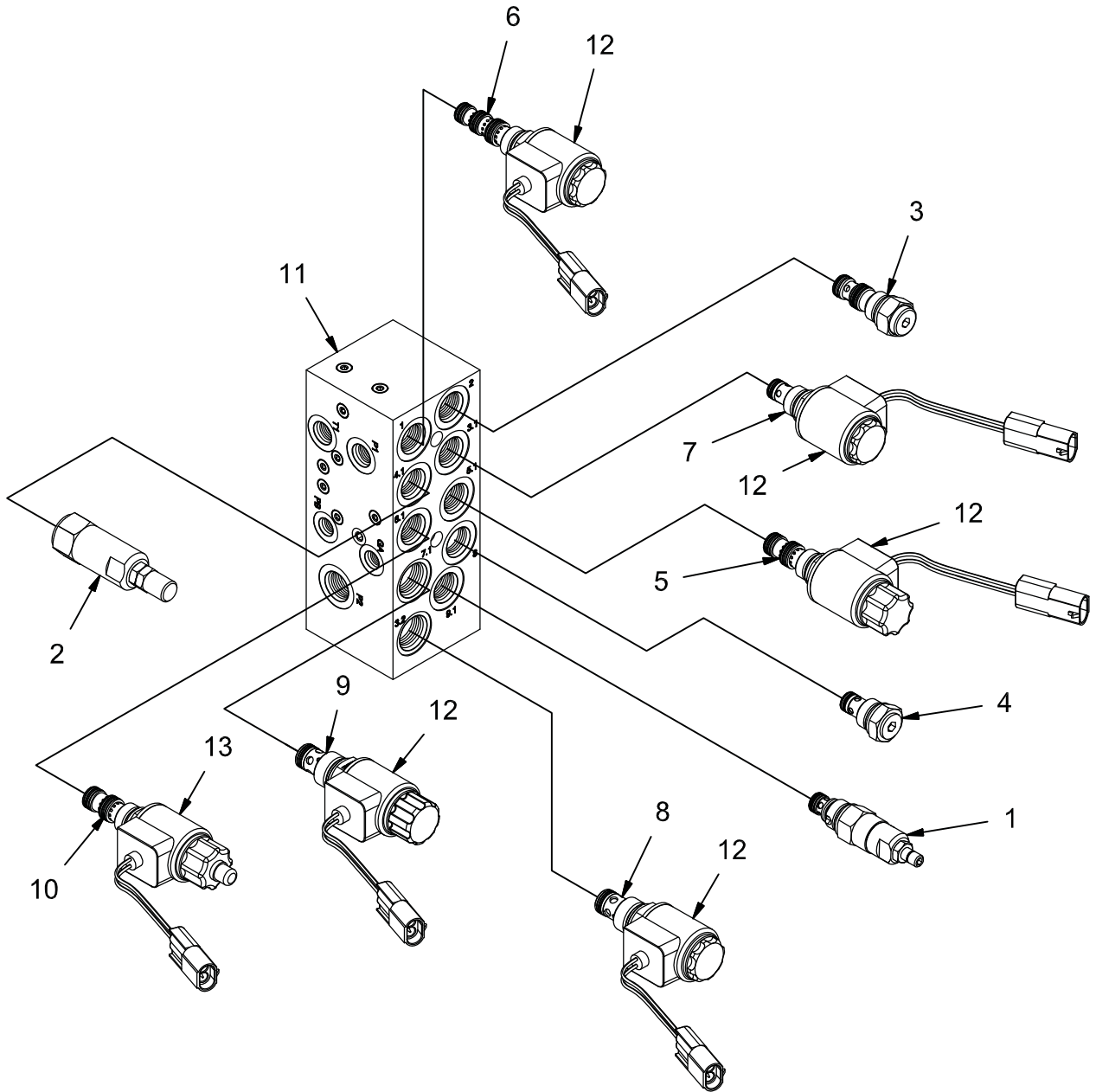


REV A

**HYDRAULIC VALVE GROUP (730137)**

Parts List 730137			
ITEM	PART NUMBER	QTY	DESCRIPTION
1	12040069	3	NUT, M10-1.50 ESN
2	3300465	3	ISOLATOR, VIB
3	600363	3	WASHER, ISOLATOR
4	66-431-A	3	WASHER, .77 B 1.25 OD .075 T
5	675507	1	FITTING, 90, 4 ORFS - 4 SAE (W/ OPT SIDE BRUSH)
6	675507	3	FITTING, 90, 4 ORFS - 4 SAE
7	675508	2	FITTING, STR, 4 ORFS - 4-SAE
8	675523	1	FITTING, 90, 8 ORFS - 8 SAE
9	675524	1	FITTING, STR, 8 ORFS - 8 SAE
10	675540	1	FITTING, RUN TEE, 10 ORFS - 10 SAE
11	675555	1	FITTING, TEE 6 ORFS - 6 SAE
12	711373	2	NUT, FIBER INSERT 1/4-20
13	3331436	1	FITTING, PLUG 4 O-RING (W/O OPT SIDE BRUSH)
14	3331436	1	FITTING, PLUG, 4 O-RING (GAUGE PORT)
15	730698	3	BOLT, M10-1.50 X 40 BUTTON HD CAP
16	730699	2	BOLT, 1/4-20 X 3.50 SOC HD CAP
17	730700	1	HYDRAULIC MANIFOLD ASSEMBLY
18	730711	1	MOUNT, MANIFOLD

HYDRAULIC MANIFOLD COMPONENTS GROUP (730170)

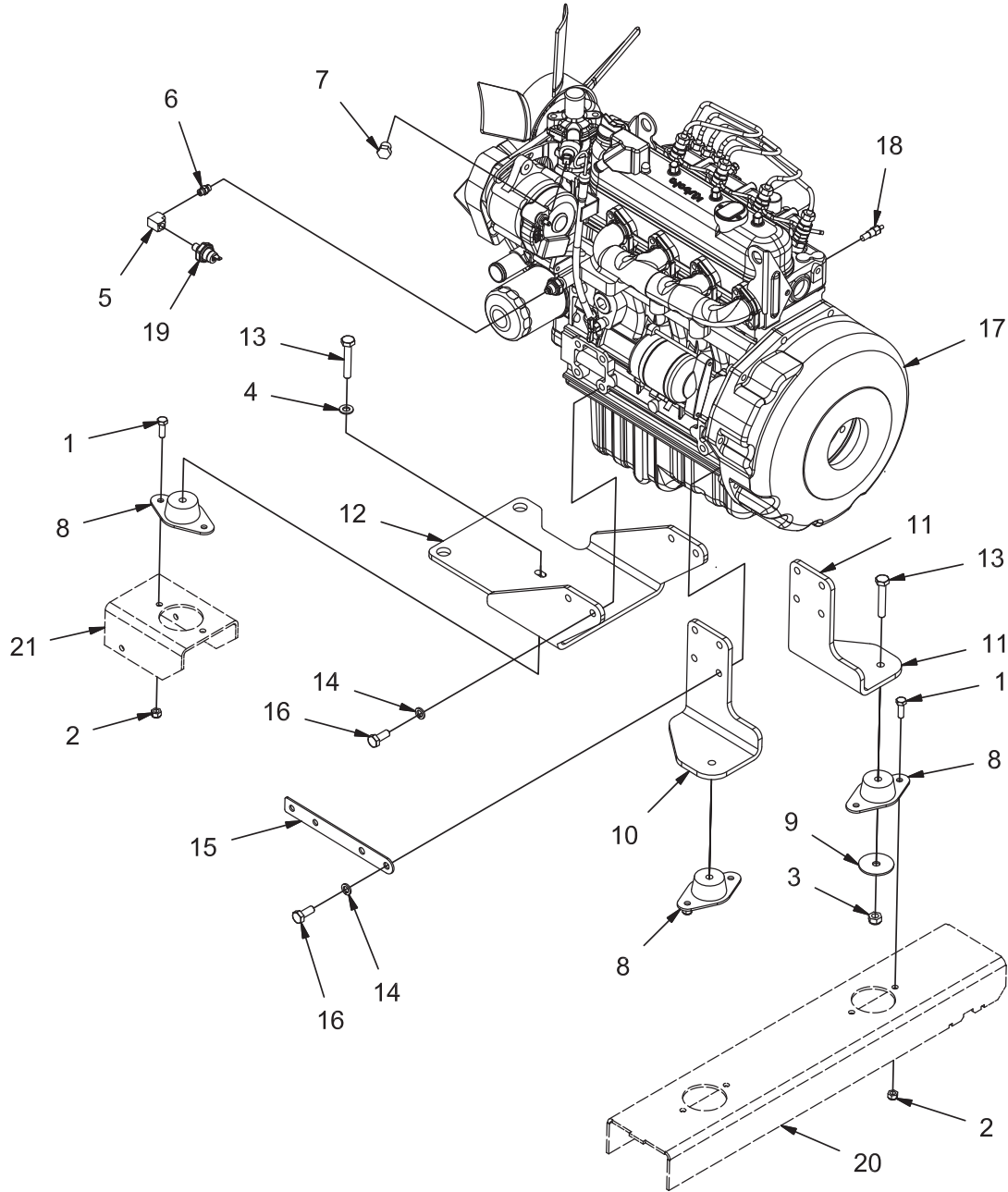


REV B

**HYDRAULIC MANIFOLD COMPONENTS GROUP (730170)**

Parts List 730170			
ITEM	PART NUMBER	QTY	DESCRIPTION
1	730701	1	PORT 9.1 - RV2 - RELIEF VALVE RELIEF VALVE, DB08P-01-C-N-330-V-250
2	730702	1	PORT 4.1 - RV3 - PRESSURE REDUCTION VALVE SOL. RED. VALVE, DR08-01-C-N-050-V-45
3	730703	1	PORT 2 - CV2 - P.O. CHECK VALVE P.O. CHECK VALVE, RP08A-01-C-N-15-4
4	730704	1	PORT 8 - CV1 - CHECK VALVE CHECK VALVE, RV08A-01-C-N-05
5	730705	1	PORT 5.1 - SV5 - MAIN BRUSHES DOWN SOL. VALVE, WK08L-01-C-N-0
6	730706	1	PORT 1 - SV7 - SQUEEGEE UP-DN SOL. VALVE, WK08X-01-C-N-0
7	730707	1	PORT 3.1 - SV6 - MAIN BRUSHES UP-LOCK SOL. VALVE, WS08ZR-01-C-N-0
8	730708	1	PORT 3.2 - SV3 - MAIN BRUSHES ON-OFF SOL. VALVE, WS10ZR-01-C-N-0
9	730709	1	PORT 7.1 - SV2 - ALL OFF SOL. VALVE, WS10Y-01-C-N-0
10	730710	1	PORT 6.1 - SV4 - BRUSH FORCE PROP. RED. VALVE, PDR08-01-M-C-N-070
11	731121	1	MANIFOLD BLOCK, MAIN C961-1
12	731122	5	COIL, 12V, 3003124
13	731226	1	COIL, PROPORTIONAL, 12PL-2.2-40-1836

ENGINE MOUNT GROUP - DIESEL (730128)

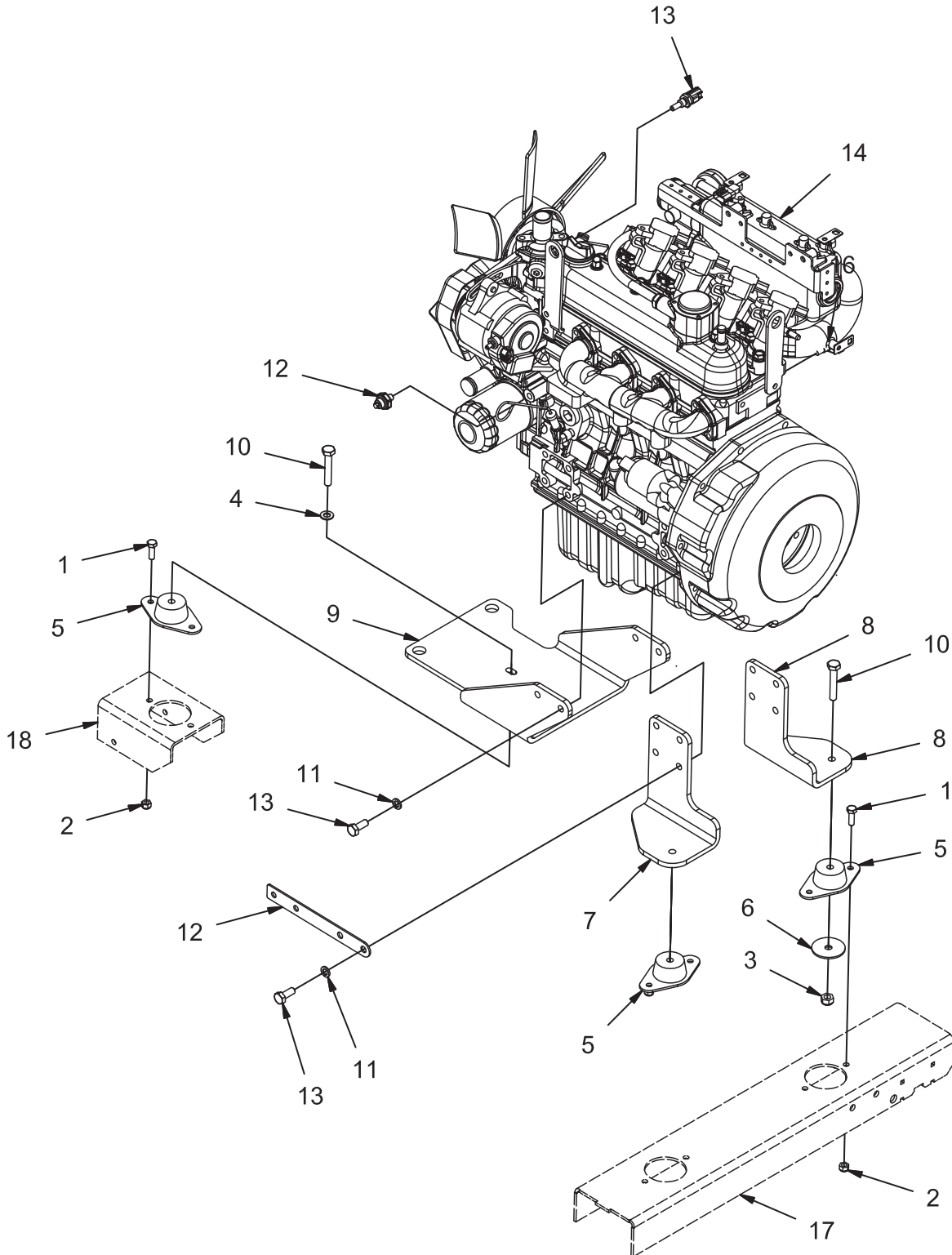


REV A

**ENGINE MOUNT GROUP - DIESEL (730128)**

Parts List 730128			
ITEM	PART NUMBER	QTY	DESCRIPTION
1	11038247	6	BLT-HH M8-1.25 X 25 STL ZINC
2	12040051	6	NUT, M8-1.25 ESN
3	12040069	3	NUT, M10-1.50 ESN
4	12310058	1	WASHER, M10
5	3301720	1	FTG, BRASS ELBOW, 1/8 FEMALE NPT
6	3305640	1	FITTING, NIPPLE
7	3400194	1	PIPE PLUG, BRASS, 3/8
8	600212	3	ISOLATOR, VIBRATION
9	600333	3	WASHER, SAFETY
10	600881	1	MOUNT, REAR OUTER DIESEL ENG
11	600882	1	MOUNT, REAR INNER DIESEL ENG
12	600899	1	MOUNT, FRONT DIESEL ENG
13	600925	3	BOLT, M10-1.50 X 60 HH
14	600945	12	LOCK WASHER, M10
15	620081	1	MOUNT, HARNESS
16	620082	12	BOLT, M10-1.25 X 25 HH ZP
17	620234F	1	ENGINE, DSL, KUBOTA V1505
18	PART OF 620234	1	SWITCH, WATER TEMP (603000)
19	PART OF 620234	1	SWITCH, OIL PRESSURE (603001)
20	REF.	-	FRAME
21	REF.	-	FRAME
22	748535	1	HARNESS ASSY, ENGINE GROUND

ENGINE MOUNT GROUP - GAS (730164)



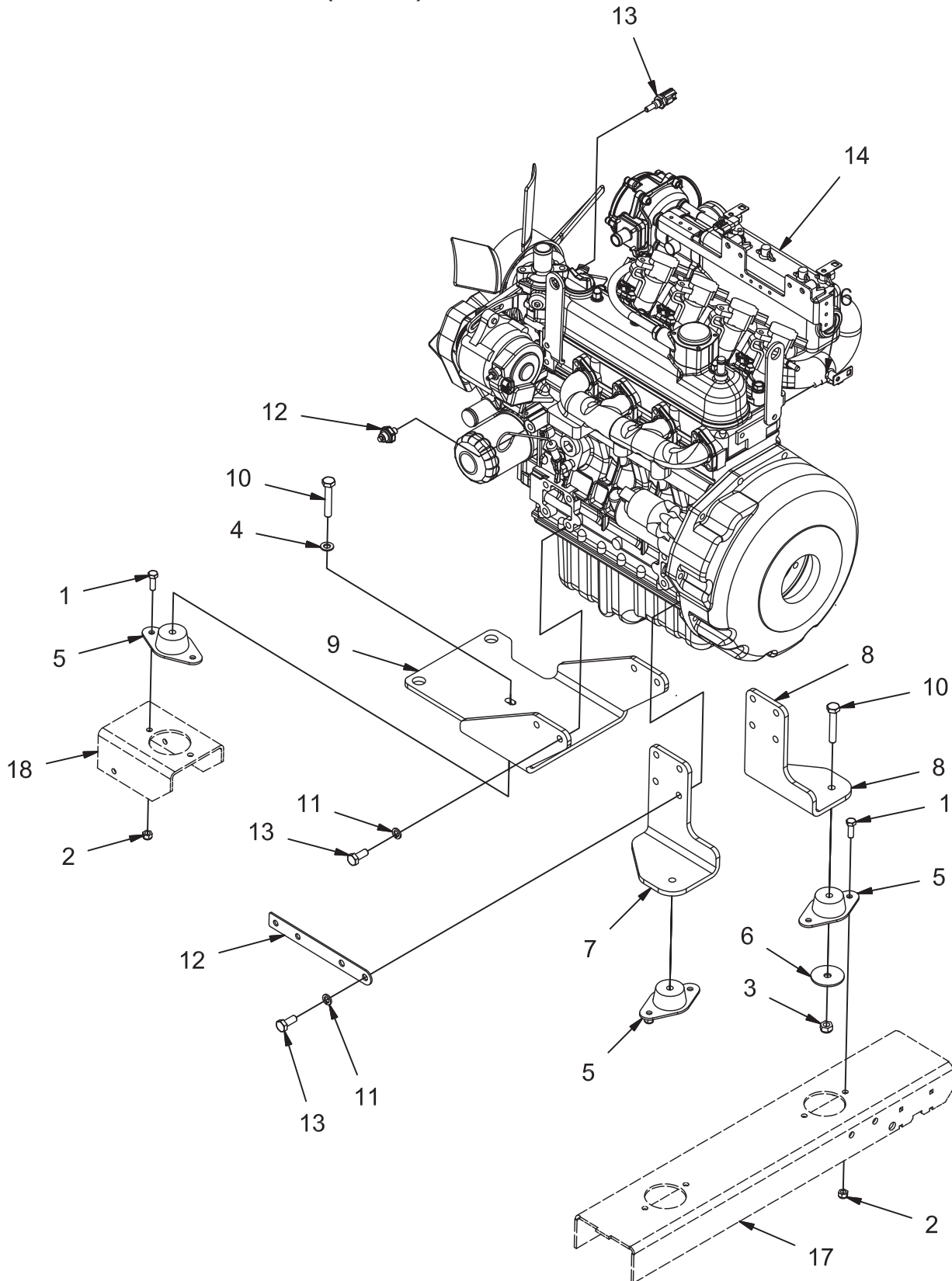
REV B



**ENGINE MOUNT GROUP - GAS (730164)**

Parts List 730164			
ITEM	PART NUMBER	QTY	DESCRIPTION
1	11038247	6	BLT-HH M8-1.25 X 25 STL ZINC
2	12040051	6	NUT, M8-1.25 ESN
3	12040069	3	NUT, M10-1.50 ESN
4	12310058	1	WASHER, M10
5	600212	3	ISOLATOR, VIBRATION
6	600333	3	WASHER, SAFETY
7	600881	1	MOUNT, REAR OUTER DIESEL ENG
8	600882	1	MOUNT, REAR INNER DIESEL ENG
9	600899	1	MOUNT, FRONT DIESEL ENG
10	600925	3	BOLT, M10-1.50 X 60 HH
11	600945	12	LOCK WASHER, M10
12	620081	1	MOUNT, HARNESS
13	620082	12	BOLT, M10-1.25 X 25 HH ZP
14	620700	1	KUBOTA GAS ENGINE
15	PART OF 620236	1	SWITCH, OIL PRESSURE (603001)
16	PART OF 620236	1	SWITCH, WATER TEMP (603000)
17	REF.	-	FRAME
18	REF.	-	FRAME
19	748535	1	HARNESS ASSY, ENGINE GROUND

ENGINE MOUNT GROUP - LPG (730163)

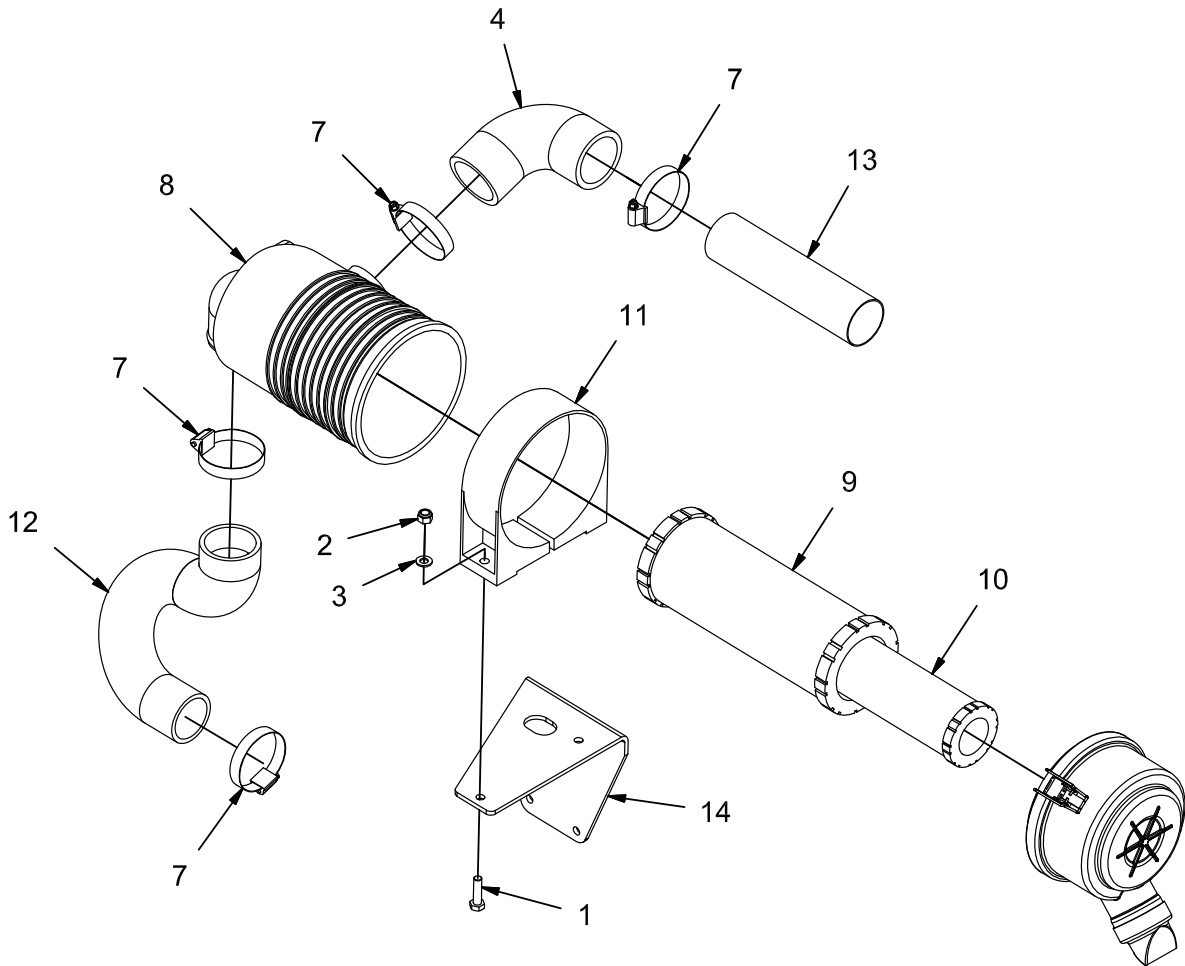


REV B

**ENGINE MOUNT GROUP - LPG (730163)**

Parts List 730163			
ITEM	PART NUMBER	QTY	DESCRIPTION
1	11038247	6	BLT-HH M8-1.25 X 25 STL ZINC
2	12040051	6	NUT, M8-1.25 ESN
3	12040069	3	NUT, M10-1.50 ESN
4	12310058	1	WASHER, M10
5	600212	3	ISOLATOR, VIBRATION
6	600333	3	WASHER, SAFETY
7	600881	1	MOUNT, REAR OUTER DIESEL ENG
8	600882	1	MOUNT, REAR INNER DIESEL ENG
9	600899	1	MOUNT, FRONT DIESEL ENG
10	600925	3	BOLT, M10-1.50 X 60 HH
11	600945	12	LOCK WASHER, M10
12	620081	1	MOUNT, HARNESS
13	620082	12	BOLT, M10-1.25 X 25 HH ZP
14	620699	1	KUBOTA ENGINE - LPG A/N (CAT MUFFLER)
15	PART OF 620235	1	SWITCH, OIL PRESSURE (603001)
16	PART OF 620235	1	SWITCH, WATER TEMP (603000)
17	REF.	-	FRAME
18	REF.	-	FRAME
19	748535	1	HARNESS ASSY, ENGINE GROUND

AIR CLEANER GROUP - DIESEL (730131)

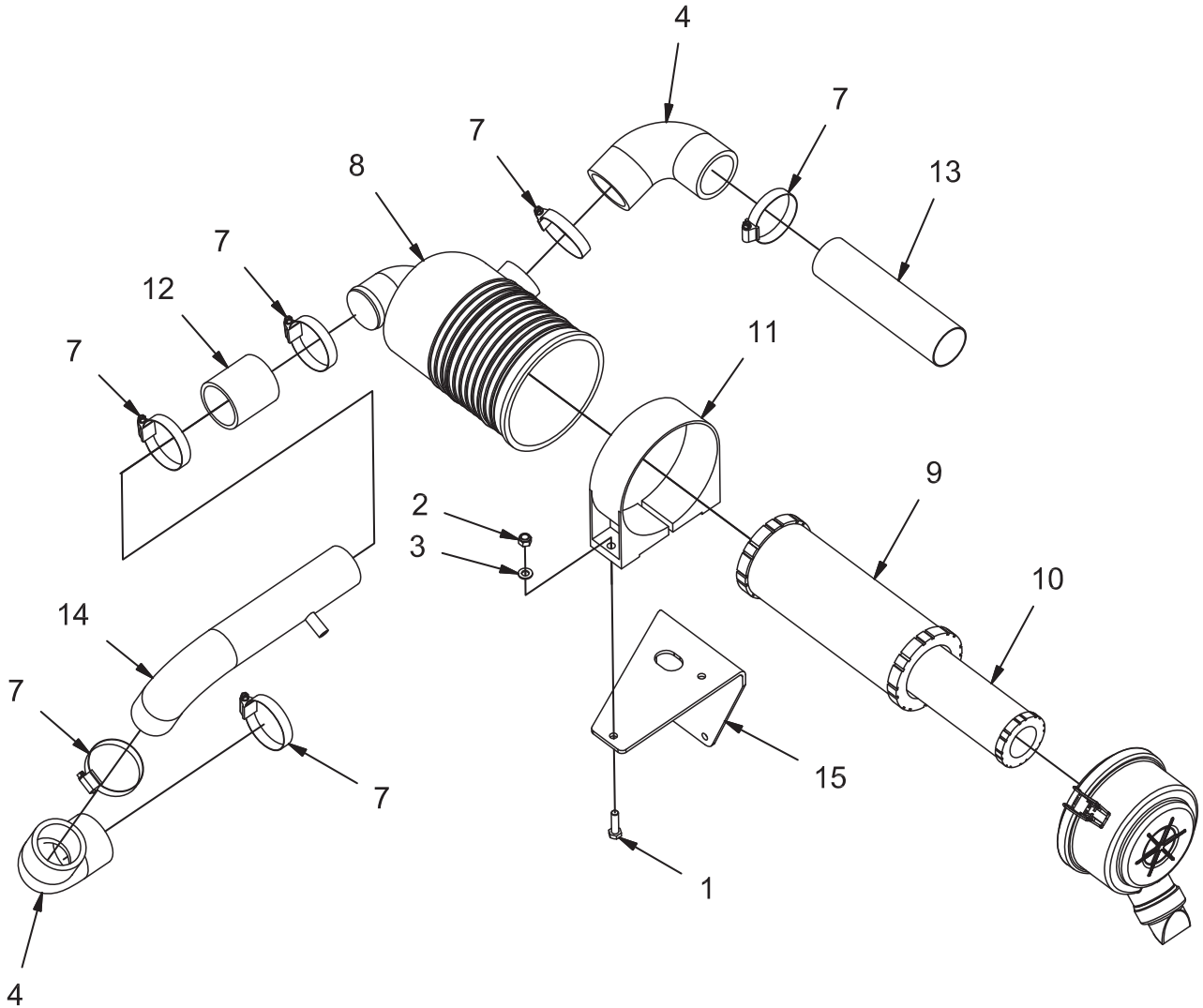


REV A

**AIR CLEANER GROUP - DIESEL (730131)**

Parts List 730131			
ITEM	PART NUMBER	QTY	DESCRIPTION
1	11038254	2	BOLT, M8-125 X 30 HH
2	12040051	2	NUT, M8-1.25 ESN
3	12310041	2	WASHER, M8
4	3300396	1	ADAPTER, 2" 90
5	3303991	1	INDICATOR, FLTR SERVICE
6	3305640	1	FITTING, NIPPLE
7	3312189	4	CLAMP, HOSE, 2.00
8	3317917	1	HOUSING, AIR FLTR
9	3321143	1	ELEMENT, FLTR, PRIMARY
10	3322572	1	ELEMENT, FLTR, SAFETY
11	600385	1	MOUNTING BAND, AIR CLEANER
12	730319	1	HOSE, AIR INTAKE, DIESEL
13	730393	1	TUBE, AIR CLEANER INTAKE
14	731188	1	MOUNT, AIR CLEANER

AIR CLEANER GROUP - GAS (730129)

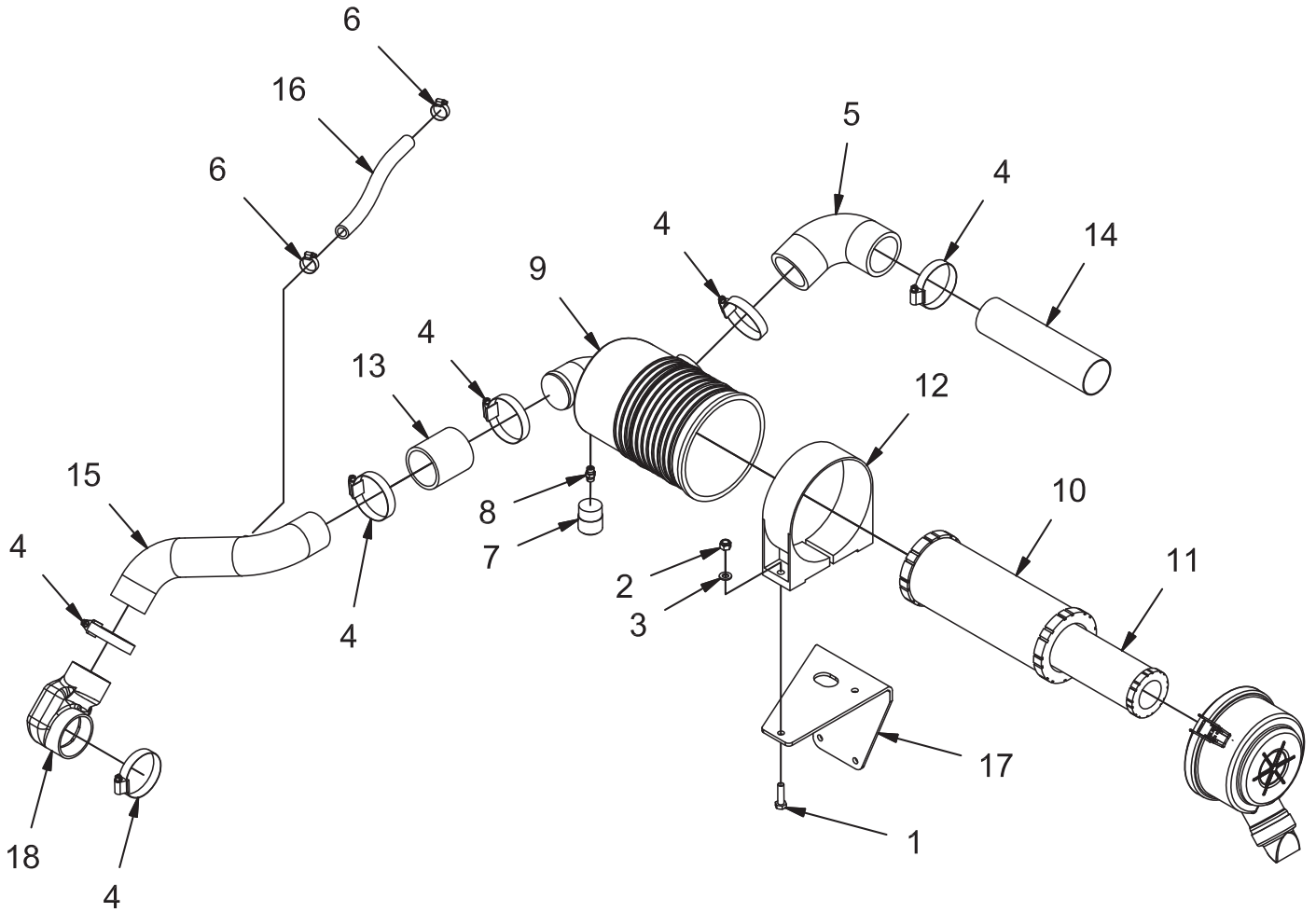


REV C

**AIR CLEANER GROUP - GAS (730129)**

Parts List 730129			
ITEM	PART NUMBER	QTY	DESCRIPTION
1	11038254	2	BOLT, M8-125 X 30 HH
2	12040051	2	NUT, M8-1.25 ESN
3	12310041	2	WASHER, M8
4	3300396	2	ADAPTER, 2" 90
5	3303991	1	INDICATOR, FLTR SERVICE
6	3305640	1	FITTING, NIPPLE
7	3312189	6	CLAMP, HOSE, 2.00
8	3317917	1	HOUSING, AIR FLTR
9	3321143	1	ELEMENT, FLTR, PRIMARY
10	3322572	1	ELEMENT, FLTR, SAFETY
11	600385	1	MOUNTING BAND, AIR CLEANER
12	730056	1	HOSE, 2.00 X 3.00
13	730393	1	TUBE, AIR CLEANER INTAKE
14	731110	1	WELDMENT, GAS AIR INTAKE
15	731188	1	MOUNT, AIR CLEANER

AIR CLEANER GROUP - LPG (730130)



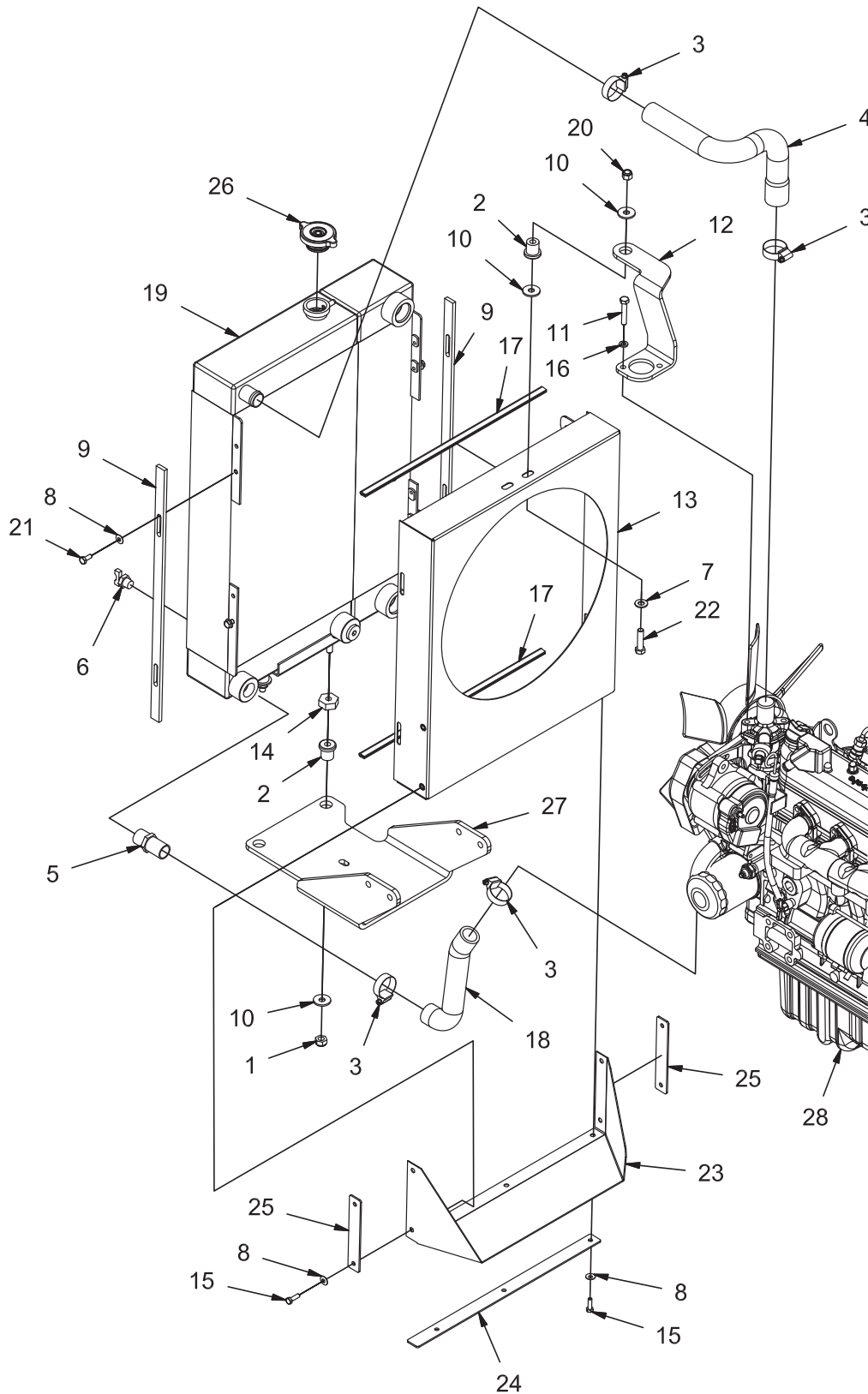
REV D



**AIR CLEANER GROUP - LPG (730130)**

Parts List 730130			
ITEM	PART NUMBER	QTY	DESCRIPTION
1	11038254	2	BOLT, M8-125 X 30 HH
2	12040051	2	NUT, M8-1.25 ESN
3	12310041	2	WASHER, M8
4	3044112	6	CLAMP, HOSE
5	3300396	1	ADAPTER, 2" 90
6	3300535	2	CLAMP, HOSE, .50
7	3303991	1	INDICATOR, FLTR SERVICE (INCLUDES 3305640)
8	3305640	1	FITTING, NIPPLE (SERVICE PART)
9	3317917	1	HOUSING, AIR FLTR (INCLUDES FILTER ELEMENTS)
10	3321143	1	ELEMENT, FLTR, PRIMARY (SERVICE PART)
11	3322572	1	ELEMENT, FLTR, SAFETY (SERVICE PART)
12	600385	1	MOUNTING BAND, AIR CLEANER
13	730056	1	HOSE, 2.00 X 3.00
14	730393	1	TUBE, AIR CLEANER INTAKE
15	731128	1	WELDMENT, LPG AIR INTAKE
16	731175	1	PCV HOSE
17	731188	1	MOUNT, AIR CLEANER
18	620662	1	COBRA AIR CUFF

RADIATOR GROUP (730132)

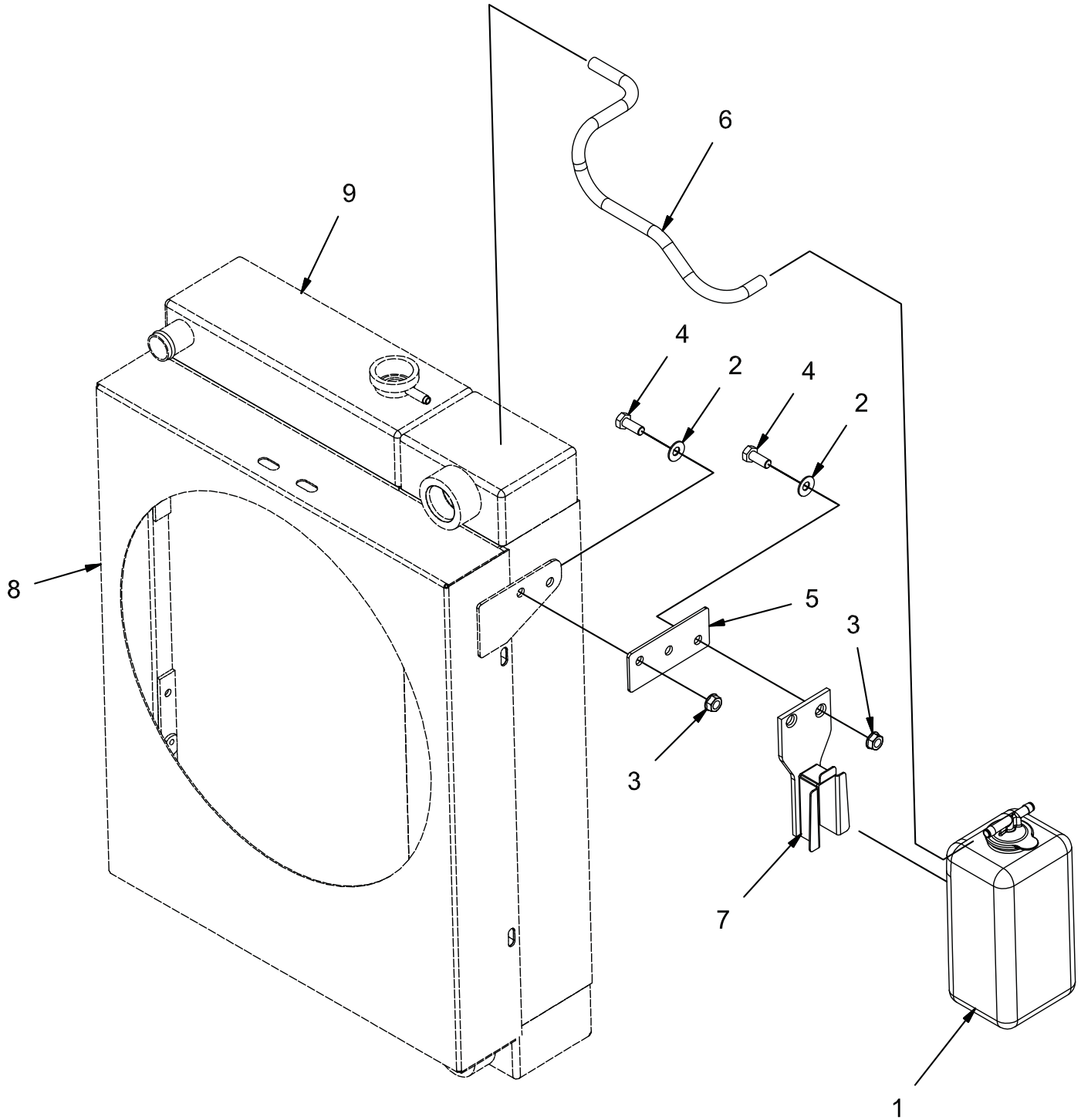


REV D

**RADIATOR GROUP (730132)**

Parts List 730132			
ITEM	PART NUMBER	QTY	DESCRIPTION
1	12040069	2	NUT, M10-1.50 ESN
2	3300465	3	ISOLATOR, VIB
3	3302193	4	CLAMP, HOSE, .75 - 1.25
4	3332643	1	HOSE, UPPER RAD, DIESEL
5	3344231	1	FITTING, RADIATOR
6	3344232	1	PETCOCK
7	3400087	1	WASHER, 3/8
8	3400383	11	WASHER, 1/4 BELLEVILLE
9	600198	2	SPACER, SHROUD
10	600363	4	WASHER, ISOLATOR
11	600820	2	BOLT, M8-1.25 X 45 HH
12	600867	1	MOUNT, UPPER SHROUD, DIESEL
13	600875-1	1	ASSEMBLY, FAN SHROUD, DIESEL
14	600884	2	SPACER, ISOLATOR
15	600913	7	BOLT, M6-1.00 X 20 HH SS
16	600959	2	LOCK WASHER, M8
17	620064	2	SEAL, SHROUD
18	690020	1	HOSE, LOWER RADIATOR
19	690125	1	RADIATOR - OIL COOLER
20	711380	1	NUT, FIBER INSERT 3/8-16
21	713001	4	SCREW, 1/4-20 X .625 HHC
22	713044	1	SCREW, 3/8-16 X 1.50 HHC
23	731580	1	SHIELD
24	731581	1	RETAINER, BOTTOM
25	731582	2	RETAINER, SIDE
26	PART OF 3336679	1	RADIATOR CAP
27	REF	-	FRONT ENGINE MOUNT
28	REF.	-	ENGINE, DIESEL

RADIATOR OVERFLOW BOTTLE GROUP (730133)

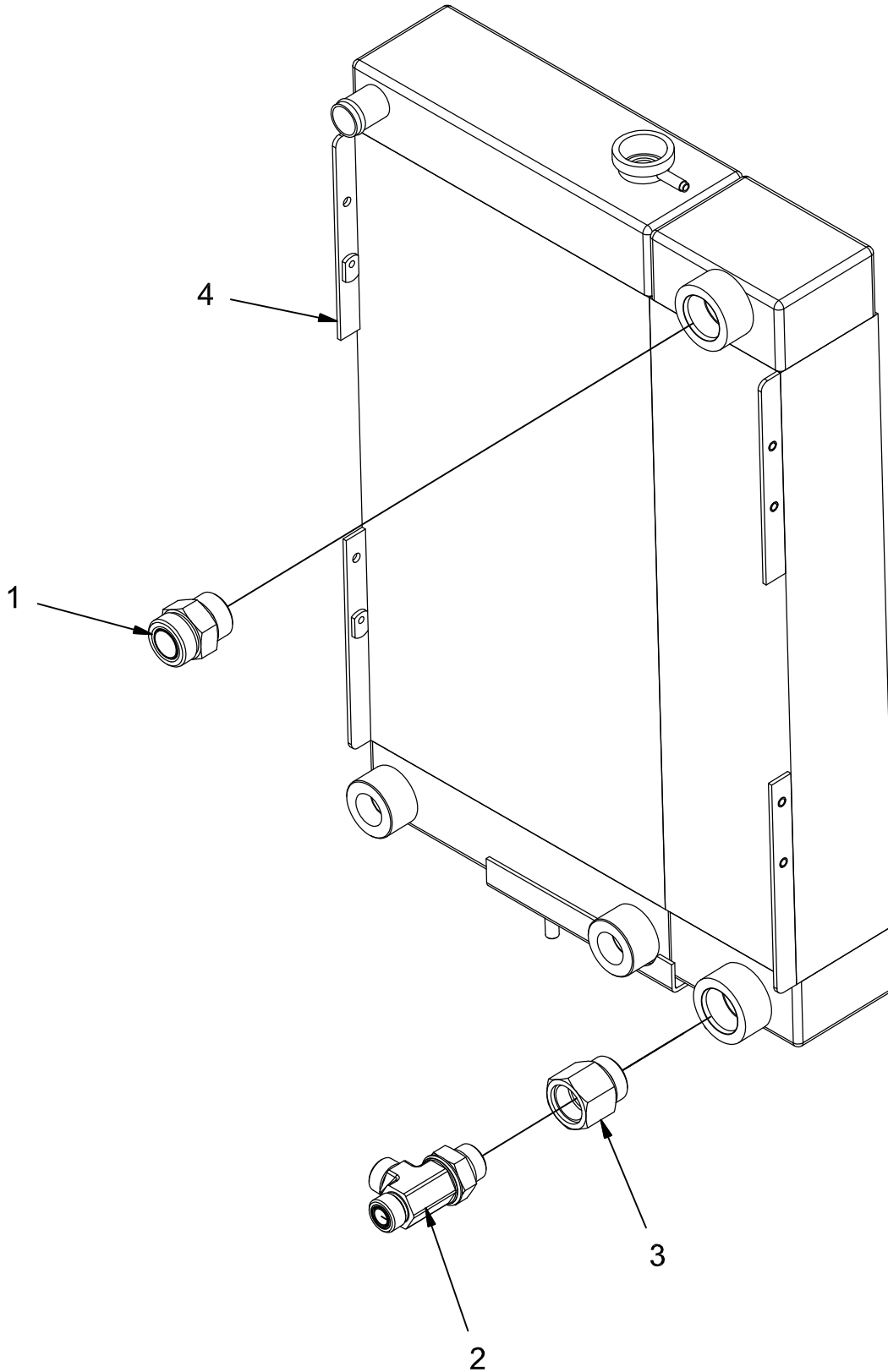


REV A

**RADIATOR OVERFLOW BOTTLE GROUP (730133)**

Parts List 730133			
ITEM	PART NUMBER	QTY	DESCRIPTION
1	3318752	1	OVERFLOW BOTTLE
2	3400384	3	WASHER, 5/16 BELLEVILLE
3	600934	3	NUT, M8-1.25 FLNG
4	717024	3	BOLT, M8-1.25 X 20 HH
5	731165	1	MOUNT, OVERFLOW BOTTLE
6	PART OF 3318752	1	HOSE,OVERFLOW
7	PART OF 3318752	1	BRACKET, BOTTLE
8	REF.	-	FAN SHROUD, DIESEL
9	REF.	-	RADIATOR

OIL COOLER GROUP (730134)

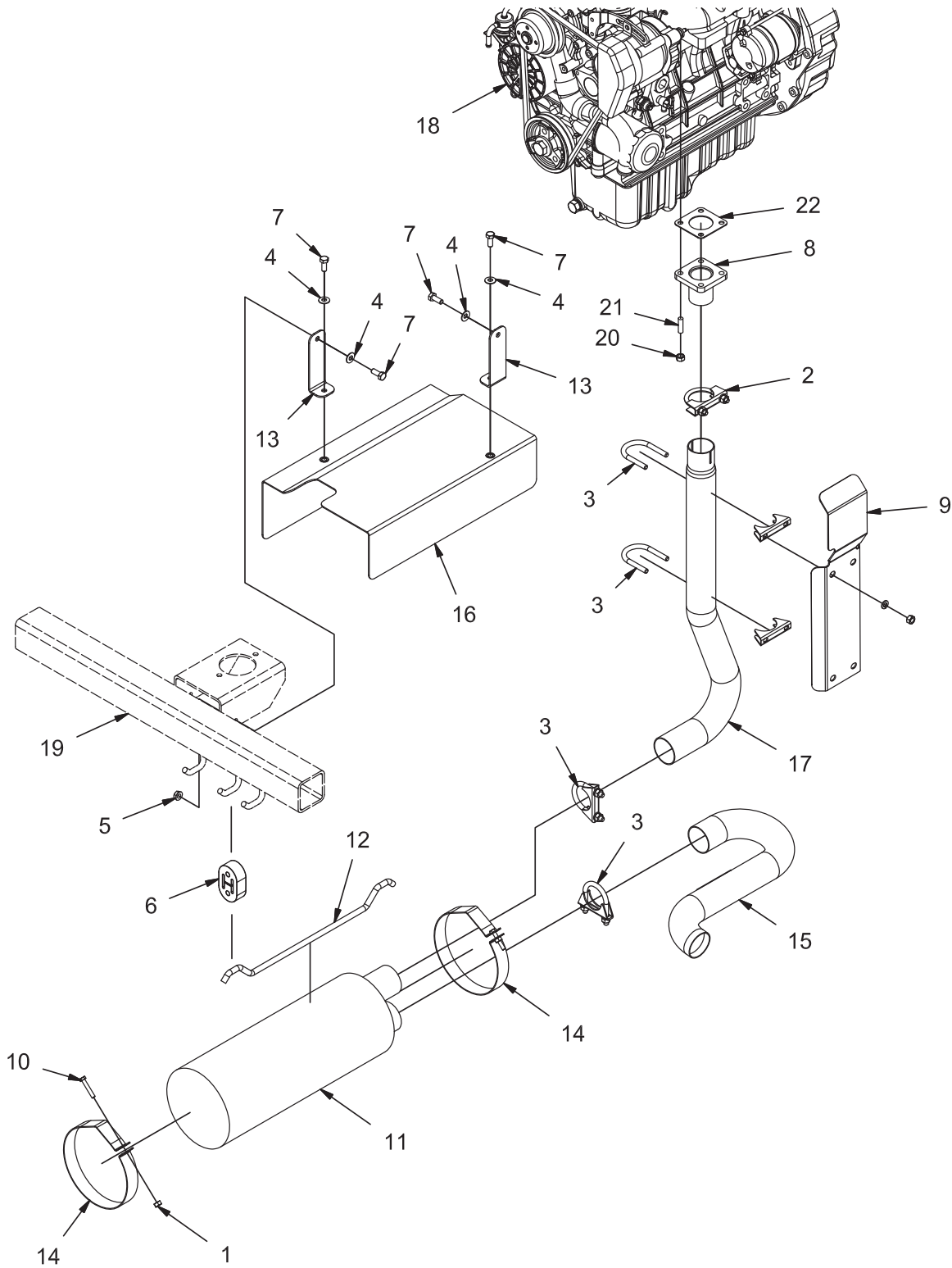


REV \*

**OIL COOLER GROUP (730134)**

Parts List			
ITEM	PART NUMBER	QTY	DESCRIPTION
1	675505	1	FITTING, STR, 16 ORFS - 16 SAE
2	675554	1	FITTING, TEE, 10 ORFS - 12 SAE
3	675558	1	FITTING, REDUCER, 16 O-RING TO 12 O-RING
4	REF	-	RADIATOR - OIL COOLER

EXHAUST GROUP - DIESEL (730154)



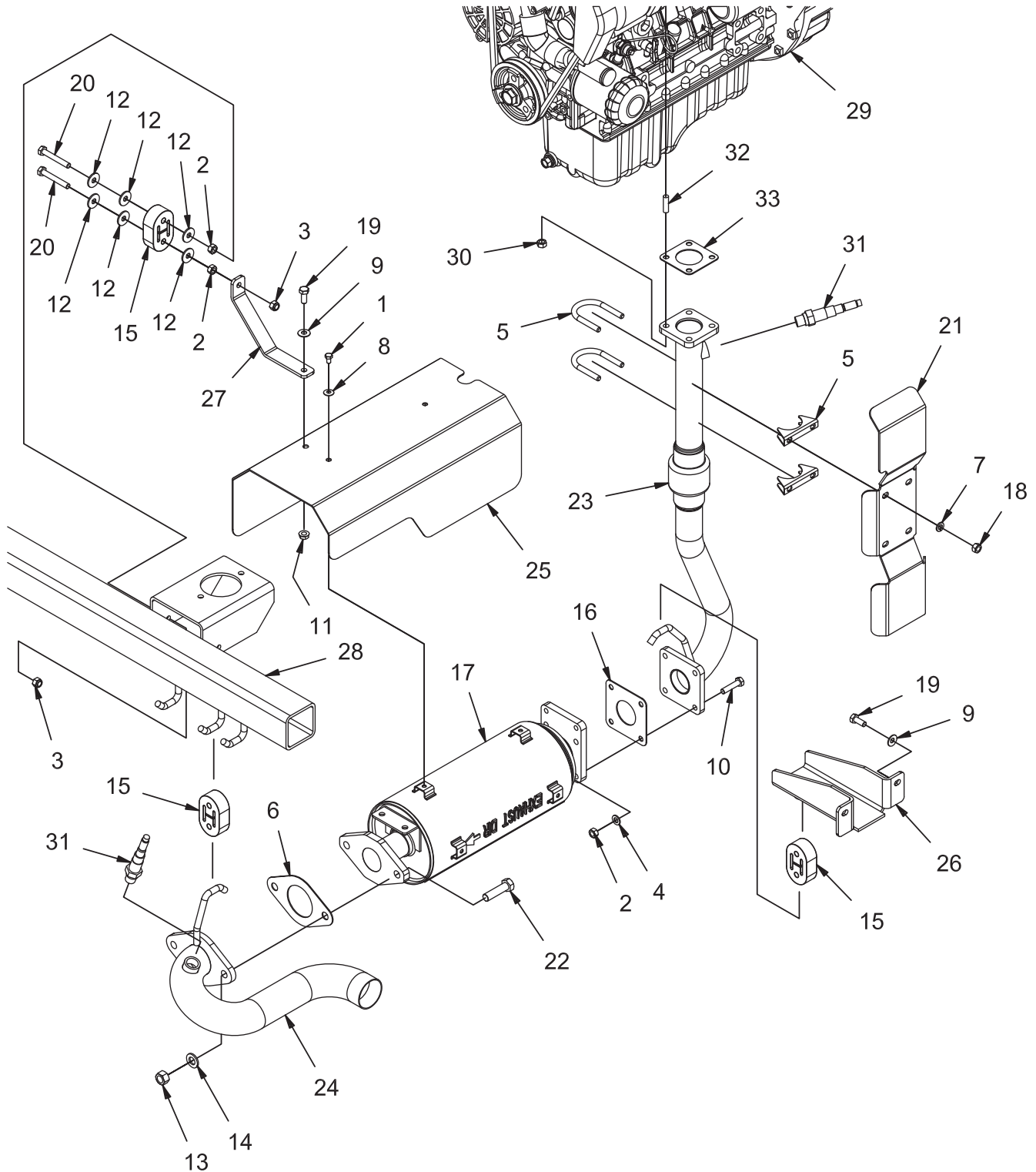
REV E



**EXHAUST GROUP - DIESEL (730154)**

Parts List - 730154			
ITEM	PART NUMBER	QTY	DESCRIPTION
1	12022042	2	NUT, M6-1.00 HEX
2	3301640	1	CLAMP, 1.75
3	3302917	4	CLAMP, EXHAUST, 2 IN
4	3400384	4	WASHER, 5/16 BELLEVILLE
5	600934	1	NUT, M8-1.25 FLNG
6	620205	1	EXHAUST ISOLATOR
7	717024	4	BOLT, M8-1.25 X 20 HH
8	730409	1	WELDMENT, EXHAUST STUB
9	730419	1	HEAT SHIELD
10	730508	2	BOLT, M6-1.00 X 35 HH FULL THREAD SS
11	731177	1	MUFFLER
12	731178	1	HANGER, MUFFLER
13	731179	2	MOUNT, HEAT SHIELD
14	731180	2	STRAP, MUFFLER
15	731219	1	TAIL PIPE
16	731220-1	1	ASSEMBLY, HEAT SHIELD - DIESEL
17	731222	1	EXHAUST PIPE - DIESEL
18	REF.	-	ENGINE
19	REF.	-	FRAME
20	WITH ENGINE	4	NUT, M8-1.25 SS
21	WITH ENGINE	4	STUD, M8-1.25
22	WITH ENGINE	1	GASKET, EXHAUST

EXHAUST GROUP - GAS / LP (730178)

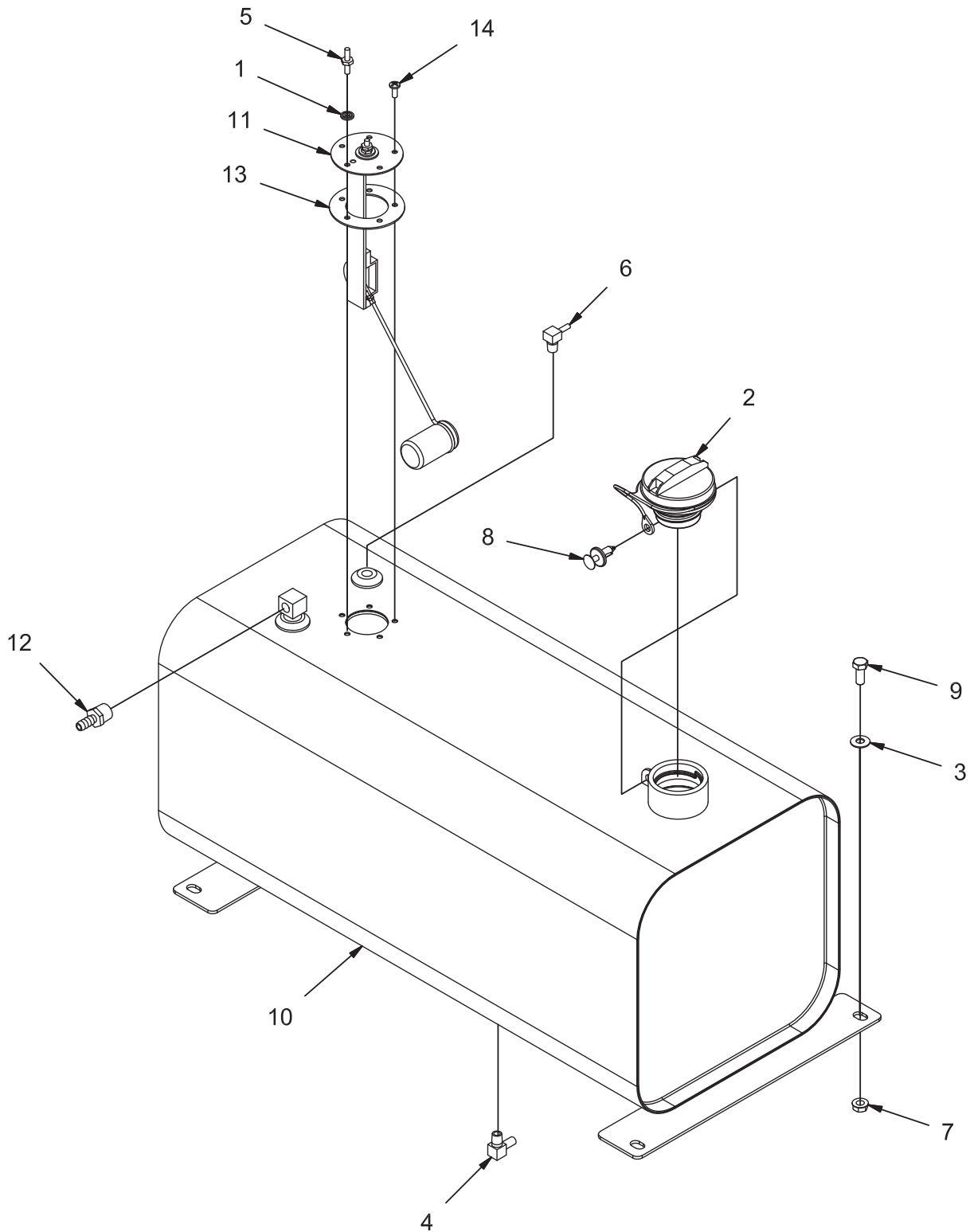


REV B

**EXHAUST GROUP - GAS / LP (730178)**

Parts List 730178			
ITEM	PART NUMBER	QTY	DESCRIPTION
1	11038056	2	BOLT, M6-1.00 X 10 HH ZP
2	12022059	6	NUT, M8-1.25
3	12040051	2	NUT, M8-1.25 ESN
4	12310041	4	WASHER, M8
5	3301641	2	CLAMP, EXHAUST
6	3345028	1	GASKET - CAT 3605
7	3400102	4	LOCK WASHER, 5/16 HS MED
8	3400383	2	WASHER, 1/4 BELLEVILLE
9	3400384	3	WASHER, 5/16 BELLEVILLE
10	600918	4	BOLT, M8-1.25 X 35 HH
11	600934	1	NUT, M8-1.25 FLNG
12	600940	6	WASHER, M8 FENDER
13	600949	2	NUT, M12-1.75
14	600950	2	WASHER, M12
15	620205	3	EXHAUST ISOLATOR
16	690190	1	GASKET, CATALYST, 4-BOLT
17	690191	1	CATALYTIC CONVERTER, LPG - GAS
18	711319	4	NUT, HEX 5/16-18
19	717024	3	BOLT, M8-1.25 X 20 HH
20	730507	2	BOLT, M8-1.25 X 55 HH SS
21	730665	1	HEAT SHIELD
22	730667	2	BOLT, M12-1.75 X 45 HH
23	731327	1	WELDMENT, EXHAUST PIPE, GAS - LPG
24	731328	1	WELDMENT, EXHAUST PIPE
25	731432	1	HEAT SHIELD
26	731465	1	WELDMENT, EXHAUST HANGER
27	731483	1	BAR, HANGER
28	REF.	-	FRAME, ENG TUBE
29	REF.	-	ENGINE
30	WITH ENGINE	4	NUT, M8-1.25 SS
31	WITH ENGINE	2	O2 SENSOR
32	WITH ENGINE	4	STUD, M8-1.25
33	WITH ENGINE	1	GASKET, EXHAUST

FUEL TANK MOUNT GROUP - DIESEL (730140)

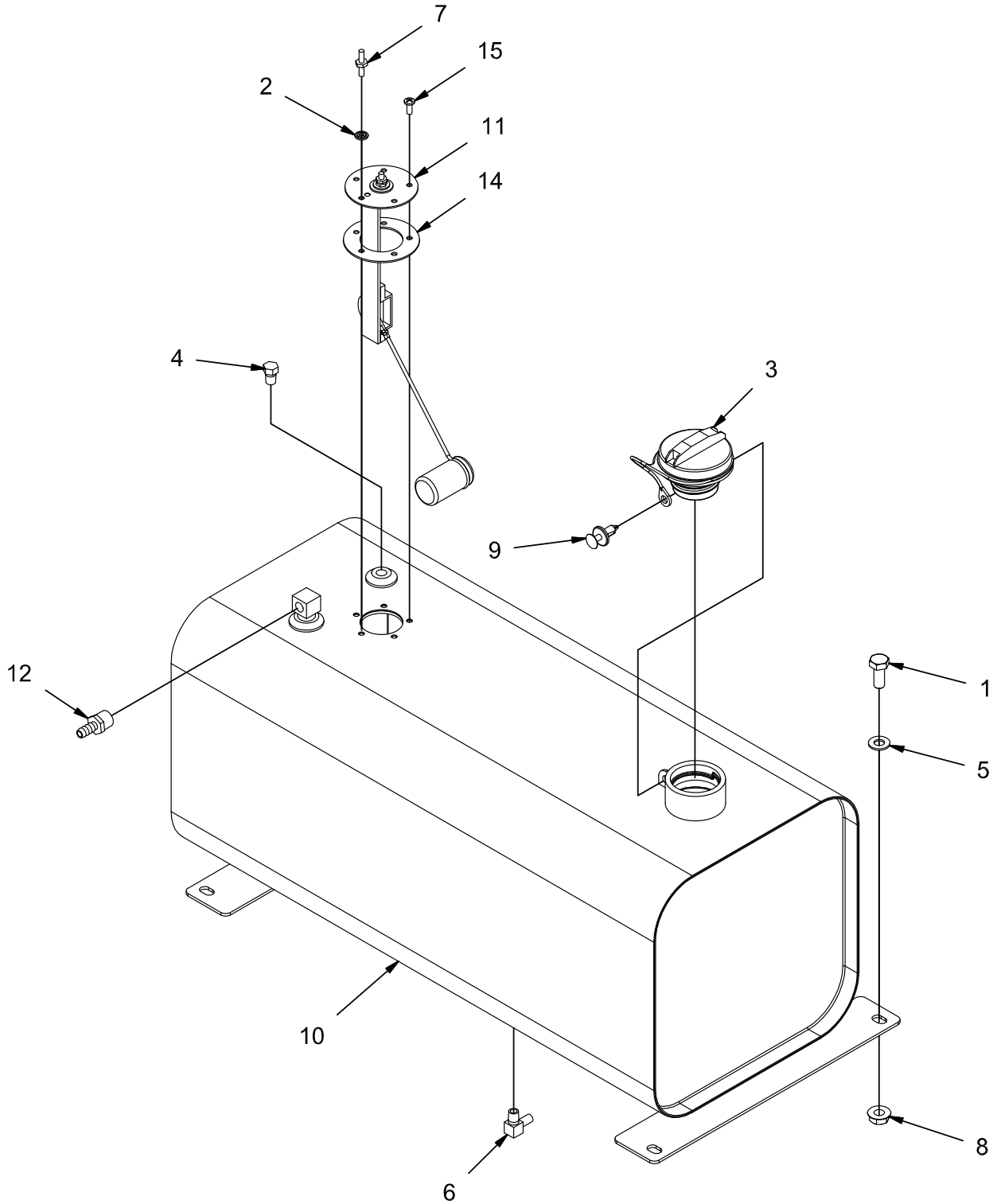


REV D

**FUEL TANK MOUNT GROUP - DIESEL (730140)**

Parts List 730140			
ITEM	PART NUMBER	QTY	DESCRIPTION
1	3337019	1	SEAL, #10
2	3343413	1	CAP, FUEL TANK
3	3400384	4	WASHER, 5/16 BELLEVILLE
4	3401445	1	FITTING, 90, 1/4 NPT X 5/16 BARB
5	3401579	1	SCREW, HEX, STANDOFF, 2X #10-32 X .50
6	3402022	1	FITTING, 90, 1/4 NPT X .184 BARB
7	600934	4	NUT, M8-1.25 FLNG
8	600965	1	FASTENER, PRESS-IN
9	717024	4	BOLT, M8-1.25 X 20 HH
10	730313	1	TANK, FUEL
11	730322	1	SENDING UNIT, FUEL LEVEL
12	731387	1	FITTING, 3/8 NPT - 5/16 HOSE BARB
13	PART OF 730322	1	GASKET
14	PART OF 730322	4	SCREW #10-32 X .50

FUEL TANK MOUNT GROUP - GAS (730139)

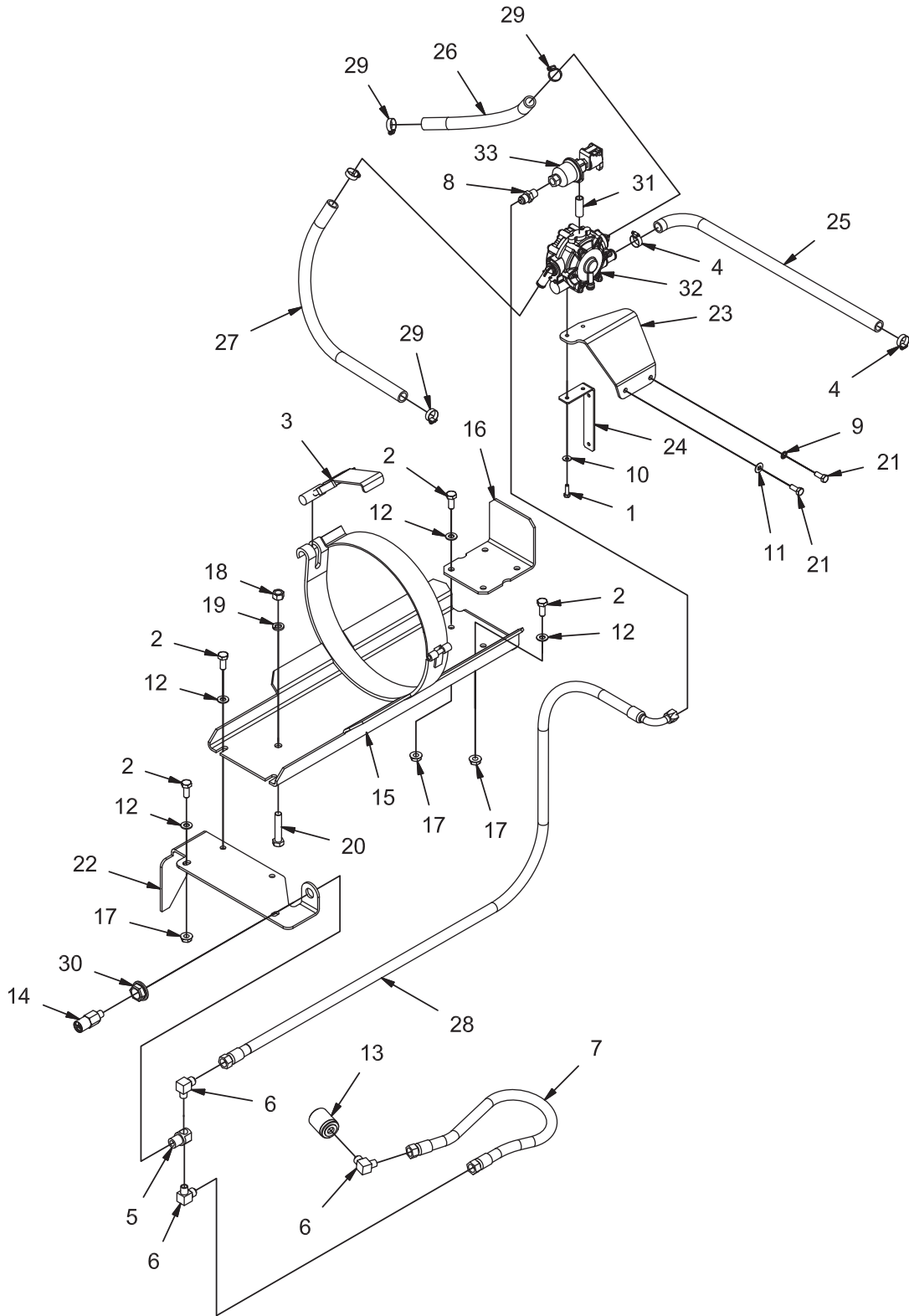


REV C

**FUEL TANK MOUNT GROUP - GAS (730139)**

Parts List 730139			
ITEM	PART NUMBER	QTY	DESCRIPTION
1	11038346	4	BOLT, M10-1.50 X 25 HH
2	3337019	1	SEAL, #10
3	3343413	1	CAP, FUEL TANK
4	3400256	1	PLUG, 1/4 NPT
5	3400385	4	WASHER, 3/8, BELLEVILLE
6	3401445	1	FITTING, 90, 1/4 NPT X 5/16 BARB
7	3401579	1	SCREW, HEX, STANDOFF, 2X #10-32 X .50
8	600936	4	NUT, M10-1.50 FLNG
9	600965	1	FASTENER, PRESS-IN
10	730313	1	TANK, FUEL
11	730322	1	SENDING UNIT, FUEL LEVEL
12	731387	1	FITTING, 3/8 NPT - 5/16 HOSE BARB
13	748990-1	1	HARNESS, FUEL PUMP
14	PART OF 730322	1	GASKET
15	PART OF 730322	4	SCREW #10-32 X .50

LPG TANK MOUNT GROUP (730138)



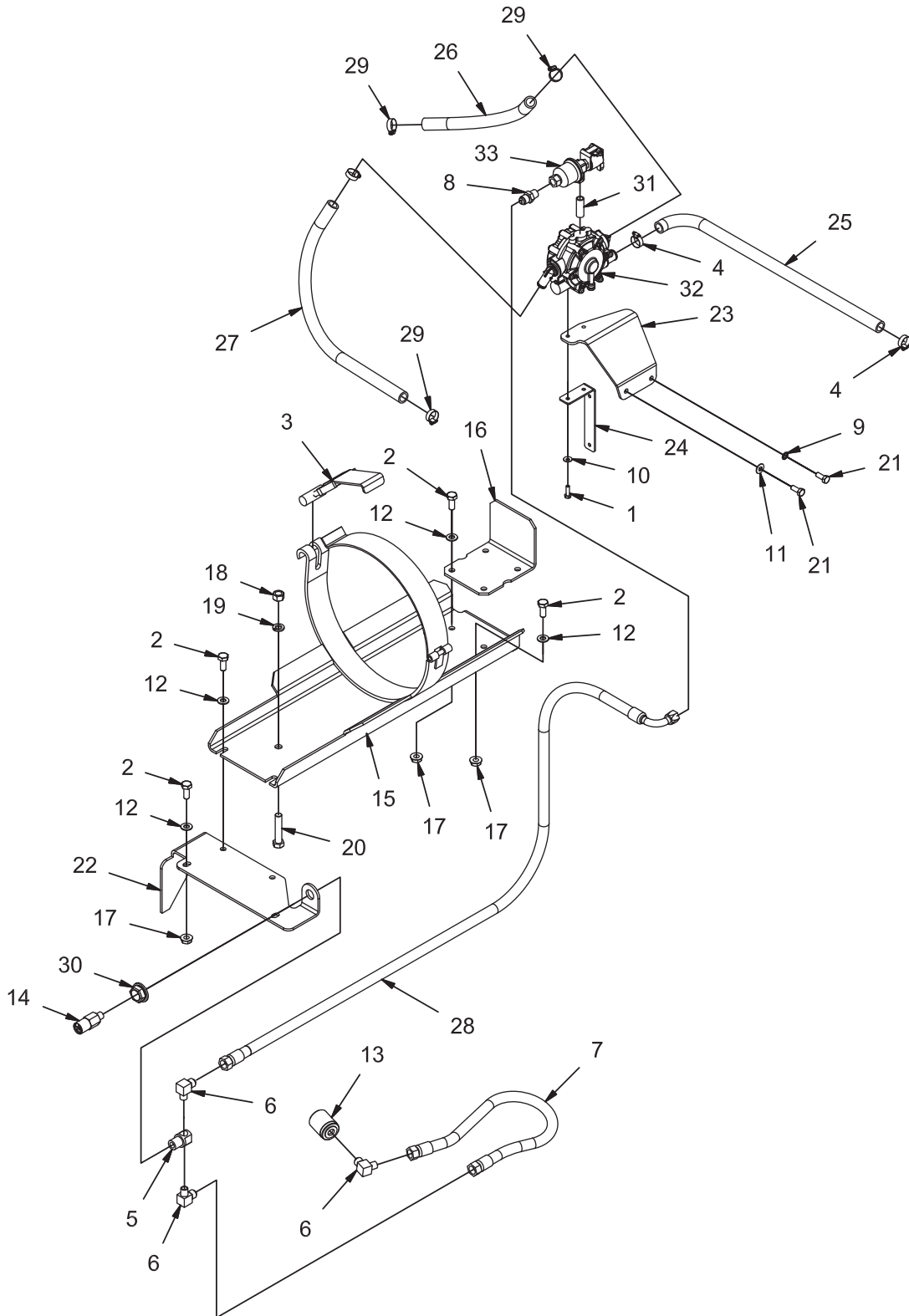
REV G



**LPG TANK MOUNT GROUP (730138)**

Parts List - 730138			
ITEM	PART NUMBER	QTY	DESCRIPTION
1	11038098	2	BOLT, M6-100 X 20 HH
2	11038346	8	BOLT, M10-1.50 X 25 HH
3	220131	1	BUCKLE
4	3300535	2	CLAMP, HOSE, .50
5	3316511	1	BODY, VALVE MOUNT
6	3334037	3	FITTING, 90, BRASS, LPG
7	3335375	1	HOSE, LPG, TO TANK
8	3342097	1	FTG SAE 5/8-18 45 DEGREE FLARE
9	3400273	1	WASHER, STAR, .31, INT. ZP
10	3400383	2	WASHER, 1/4 BELLEVILLE
11	3400384	1	WASHER, 5/16 BELLEVILLE
12	3400385	8	WASHER, 3/8, BELLEVILLE
13	3400860	1	FTG-LP TANK CONNECT
14	3400862	1	LPG RELIEF VALVE
15	600459-1	1	WELDMENT, LPG MNT
16	600461-1	1	ANGLE, LPG STOP
17	600936	8	NUT, M10-1.50 FLNG
18	600949	1	NUT, M12-1.75
19	600961	1	LOCK WASHER, M12
20	620036	1	BOLT, M12-1.75 X 60 HH FULL THREAD
21	717024	2	BOLT, M8-1.25 X 20 HH
22	730533	1	MOUNT, LPG VALVE
23	730890	1	BRACKET, VAPORIZER
24	731164	1	MOUNT, FUSE BOX
25	731167	1	HOSE, VAPORIZER TO CARB
26	731173	1	HOSE, COOLANT, 5/8" ID X 15.0" LG
27	731174	1	HOSE, COOLANT, 5/8" ID X 43.0" LG
28	731186	1	HOSE, LPG TANK TO VAPORIZER
29	829129	4	CLAMP, HOSE
30	PART OF 3316511	1	NUT, VALVE MOUNT
31	PART OF ENGINE	1	FITTING, NIPPLE
32	PART OF ENGINE	1	VAPORIZER (13098-62401)
33	PART OF ENGINE	1	SOLENOID AND LOCK OFF (EG523-46951)

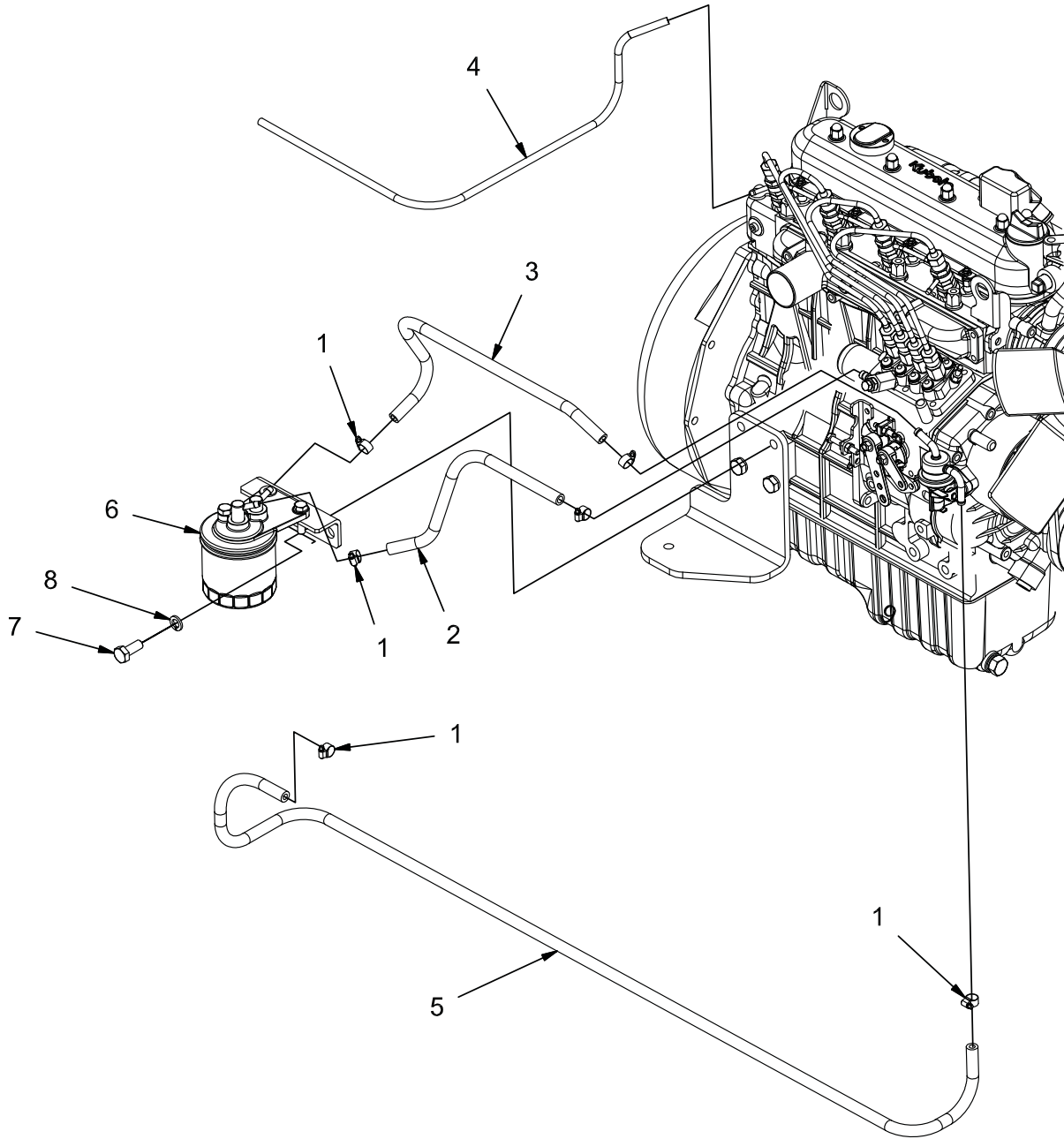
CE LPG TANK MOUNT GROUP (730138-CE)



REV B

Parts List - 730138-CE			
ITEM	PART NUMBER	QTY	DESCRIPTION
1	11038098	2	BOLT, M6-100 X 20 HH
2	11038346	8	BOLT, M10-1.50 X 25 HH
3	220131	1	BUCKLE
4	3300535	2	CLAMP, HOSE, .50
5	3316511	1	BODY, VALVE MOUNT
6	3334037	3	FITTING, 90, BRASS, LPG
7	3335375-CE	1	HOSE, LPG, TO TANK
8	3342097	1	FTG SAE 5/8-18 45 DEGREE FLARE
9	3400273	1	WASHER, STAR, .31, INT. ZP
10	3400383	2	WASHER, 1/4 BELLEVILLE
11	3400384	1	WASHER, 5/16 BELLEVILLE
12	3400385	8	WASHER, 3/8, BELLEVILLE
13	3400860	1	FTG-LP TANK CONNECT
14	3400862	1	LPG RELIEF VALVE
15	600459-1	1	WELDMENT, LPG MNT
16	600461-1	1	ANGLE, LPG STOP
17	600936	8	NUT, M10-1.50 FLNG
18	600949	1	NUT, M12-1.75
19	600961	1	LOCK WASHER, M12
20	620036	1	BOLT, M12-1.75 X 60 HH FULL THREAD
21	717024	2	BOLT, M8-1.25 X 20 HH
22	730533	1	MOUNT, LPG VALVE
23	730890	1	BRACKET, VAPORIZER
24	731164	1	MOUNT, FUSE BOX
25	731167-CE	1	HOSE, VAPORIZER TO CARB
26	731173	1	HOSE, COOLANT, 5/8" ID X 15.0" LG
27	731174	1	HOSE, COOLANT, 5/8" ID X 43.0" LG
28	731186-CE	1	HOSE, LPG TANK TO VAPORIZER
29	829129	4	CLAMP, HOSE
30	PART OF 3316511	1	NUT, VALVE MOUNT
31	PART OF ENGINE	1	FITTING, NIPPLE
32	PART OF ENGINE	1	VAPORIZER (13098-62401)
33	PART OF ENGINE	1	SOLENOID AND LOCK OFF (EG523-46951)

FUEL LINE GROUP - DIESEL (730153)

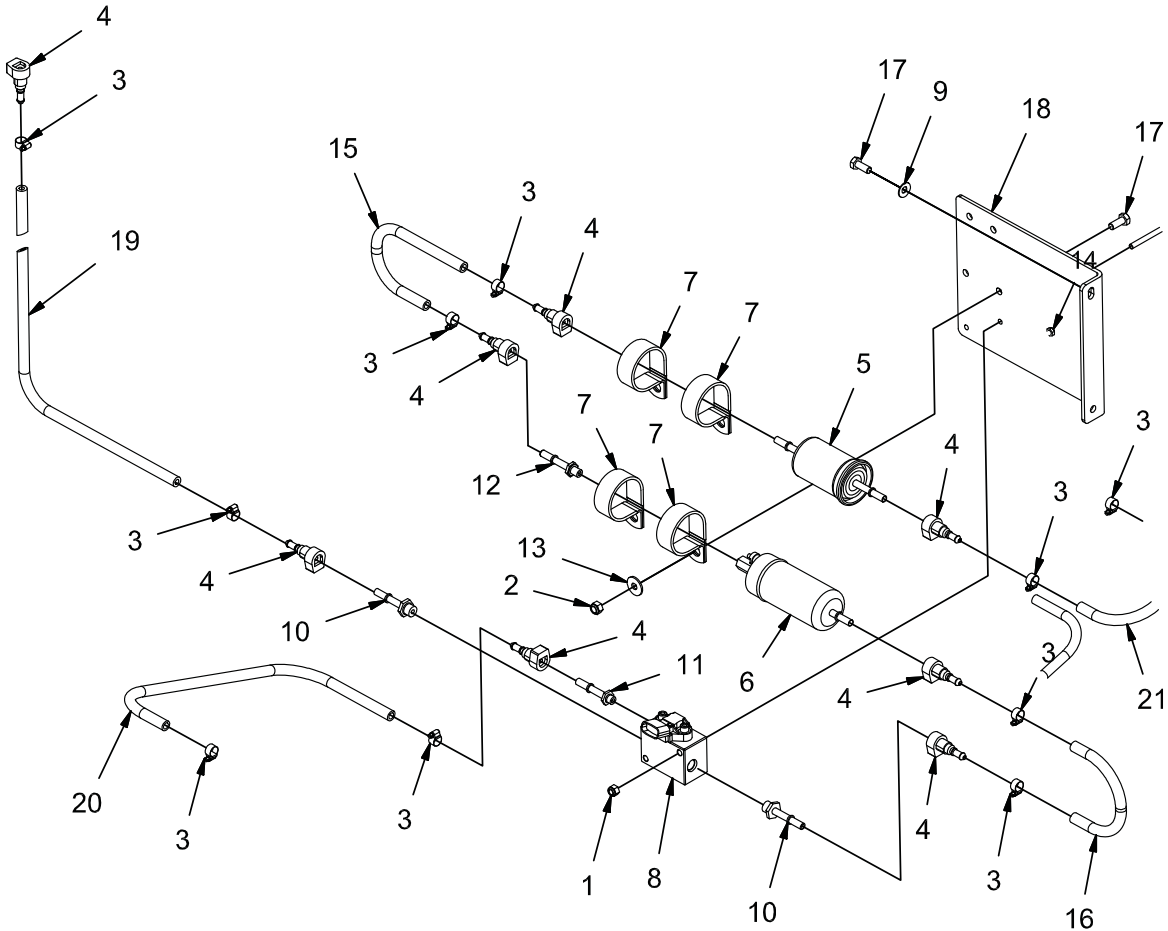


REV \*

**FUEL LINE GROUP - DIESEL (730153)**

Parts List - 730153			
ITEM	PART NUMBER	QTY	DESCRIPTION
1	3302338	6	CLAMP, HOSE, .50
2	620001	1	HOSE,FUEL, 5/16 ID 12.00 LG, SAE30R7
3	620061	1	HOSE,FUEL, 5/16 ID 18.00 LG, SAE30R7
4	NO DWG	1	HOSE, FUEL, 1/8 ID SAE30R7
5	NO DWG	1	HOSE, FUEL, 5/16 ID SAE30R7
6	PART OF ENGINE	-	FUEL FILTER ASSEMBLY
7	REF.	-	BOLT, M10-1.50 X 25 HH
8	REF.	-	LOCK WASHER, M10
9	REF.	-	ENGINE, DIESEL

FUEL COMPONENT GROUP - GAS (730141)

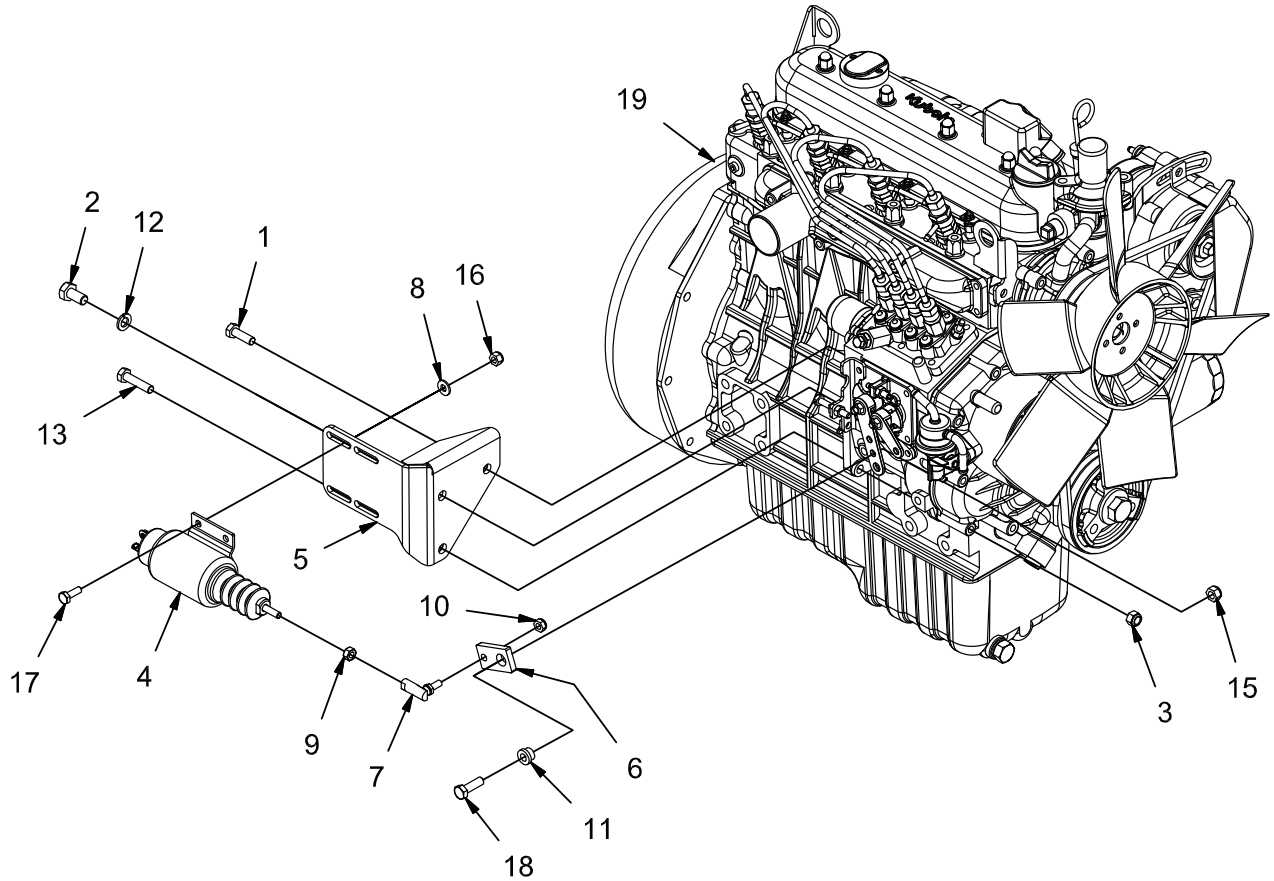


REV \*

**FUEL COMPONENT GROUP - GAS (730141)**

Parts List 730141			
ITEM	PART NUMBER	QTY	DESCRIPTION
1	12040044	2	NUT, M6-1.00 ESN
2	12040051	4	NUT, M8-1.25 ESN
3	3302338	10	CLAMP, HOSE, .50
4	3342207	8	FITTING, ADAPTER, FUEL
5	3342209	1	FILTER, FUEL
6	3343536	1	PUMP, FUEL
7	3343539	4	CLAMP, 2"
8	3343617	1	MANIFOLD, FUEL PRESS/TEMP
9	3400384	2	WASHER, 5/16 BELLEVILLE
10	3401088	2	FTG-ADAPTER, FUEL 1/2-20 W/O-RING
11	3401089	1	FTG-ADAPTER, FUEL 3/8-24 W/O-RING
12	3401090	1	FITTING & GASKET FOR FUEL PUMP
13	600940	4	WASHER, M8 FENDER
14	600953	2	BOLT, M6-1.00 X 50 HH
15	620001	1	HOSE,FUEL, 5/16 ID X 12.00 LG, SAE30R7
16	620002	1	HOSE,FUEL, 5/16 ID X 10.00 LG, SAE30R7
17	717024	6	BOLT, M8-1.25 X 20 HH
18	730311	1	MOUNT, FUEL FILTER
19	TBD	1	HOSE,FUEL, 5/16 ID SAE30R7 (TO ENGINE)
20	TBD	1	HOSE,FUEL, 5/16 ID SAE30R7 (FUEL RETURN)
21	TBD	1	HOSE,FUEL, 5/16 ID SAE30R7 (FROM TANK)

THROTTLE SOLENOID GROUP - DIESEL (730151)



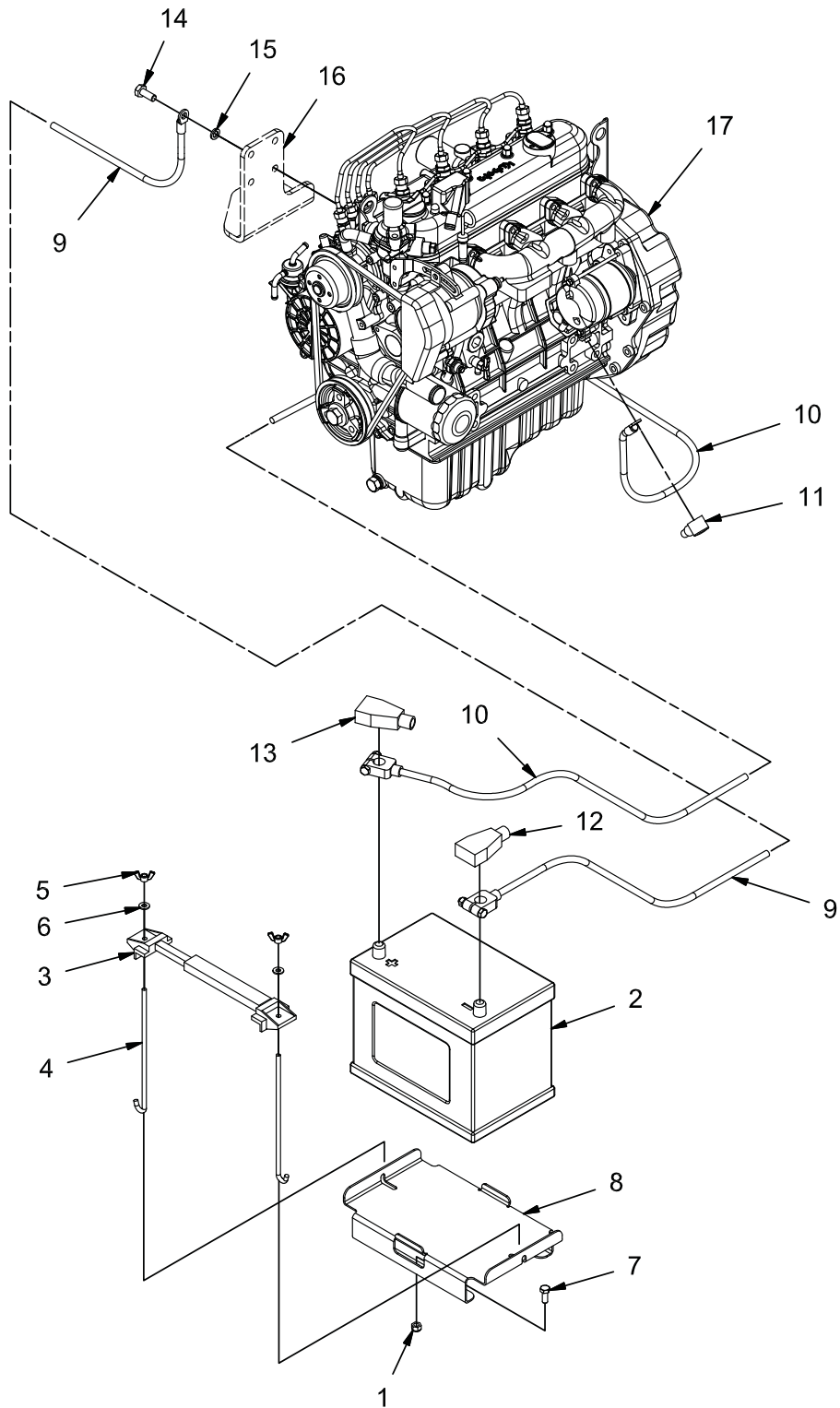
REV A



**THROTTLE SOLENOID GROUP - DIESEL (730151)**

Parts List - 730151			
ITEM	PART NUMBER	QTY	DESCRIPTION
1	11038247	1	BLT-HH M8-1.25 X 25 STL ZINC
2	11038353	1	BOLT, M10-1.50 X 20 HH
3	12040051	1	NUT, M8-1.25 ESN
4	3335303	1	SOLENOID, THROTTLE
5	3335358	1	BRACKET, THROTTLE SOLENOID
6	3335364	1	PLT, KBA V1505 DSL SOLENOID THROTTLE
7	3342225	1	BALL JOINT, 1/4-28 STD LG
8	3400089	4	WASHER, 1/4 .625 X .281 X .063
9	3400180	1	NUT, 1/4-28
10	3400373	1	NUT, LOW HEIGHT 1/4-28 ESN
11	3401071	1	BUSHING, FLNG, .312 ID X .50 OD X .375
12	3401458	1	LOCK WASHER, M10
13	600918	1	BOLT, M8-125 X 35 HH
14	600959	2	LOCK WASHER, M8
15	711374	1	NUT, FIBER INSERT 5/16-18
16	711373	4	NUT, FIBER INSERT 1/4-20
17	713002	4	SCREW, 1/4-20 X .750 HHC
18	713027	1	SCREW, 5/16-18 X 1.000 HHM
19	REF.	-	ENGINE, DIESEL

BATTERY GROUP (730142)

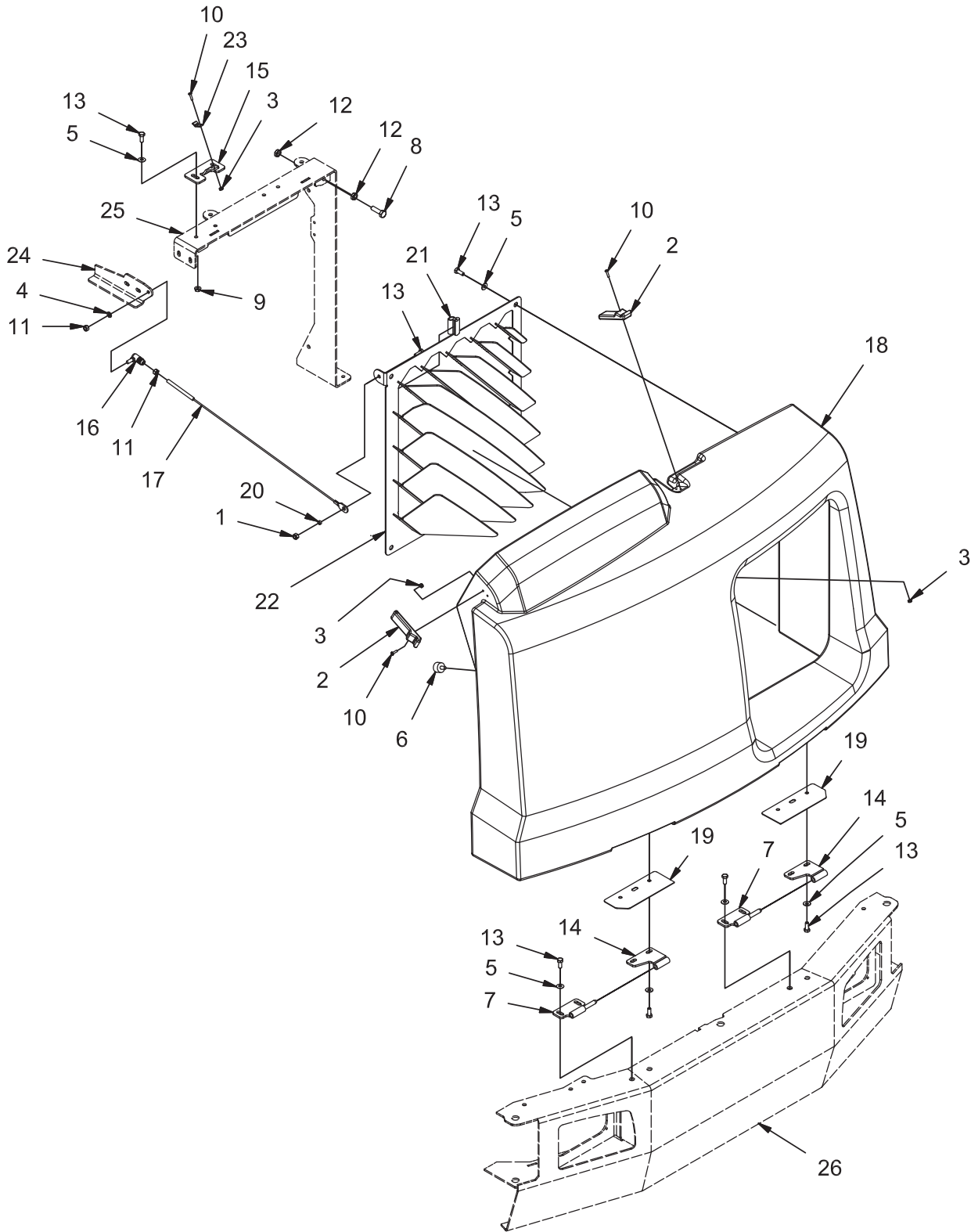


REV A

**BATTERY GROUP (730142)**

Parts List 730142			
ITEM	PART NUMBER	QTY	DESCRIPTION
1	12040051	2	NUT, M8-1.25 ESN
2	3300440	1	BATTERY, 12V
3	3301076	1	HOLD DOWN, BATTERY
4	3301079	2	ROD, BATTERY TIE DOWN
5	3400085	2	WING NUT, 1/4-20 ZP
6	3400089	2	WASHER, 1/4 .625 X .281 X .063
7	717024	2	BOLT, M8-1.25 X 20 HH
8	730390	1	TRAY, BATTERY
9	748993	1	CABLE, BATTERY, NEG
10	748994	1	CABLE, BATTERY, POS
11	742740	1	BOOT, TERM, RED
12	PART OF CABLE	1	BOOT, BATTERY, BLACK
13	PART OF CABLE	1	BOOT, BATTERY, RED
14	REF.	-	BOLT, M10-1.25 X 25 HH ZP
15	REF.	-	LOCK WASHER, M10
16	REF.	-	ENGINE MOUNT
17	REF.	-	ENGINE

FRONT COVER GROUP (730143)

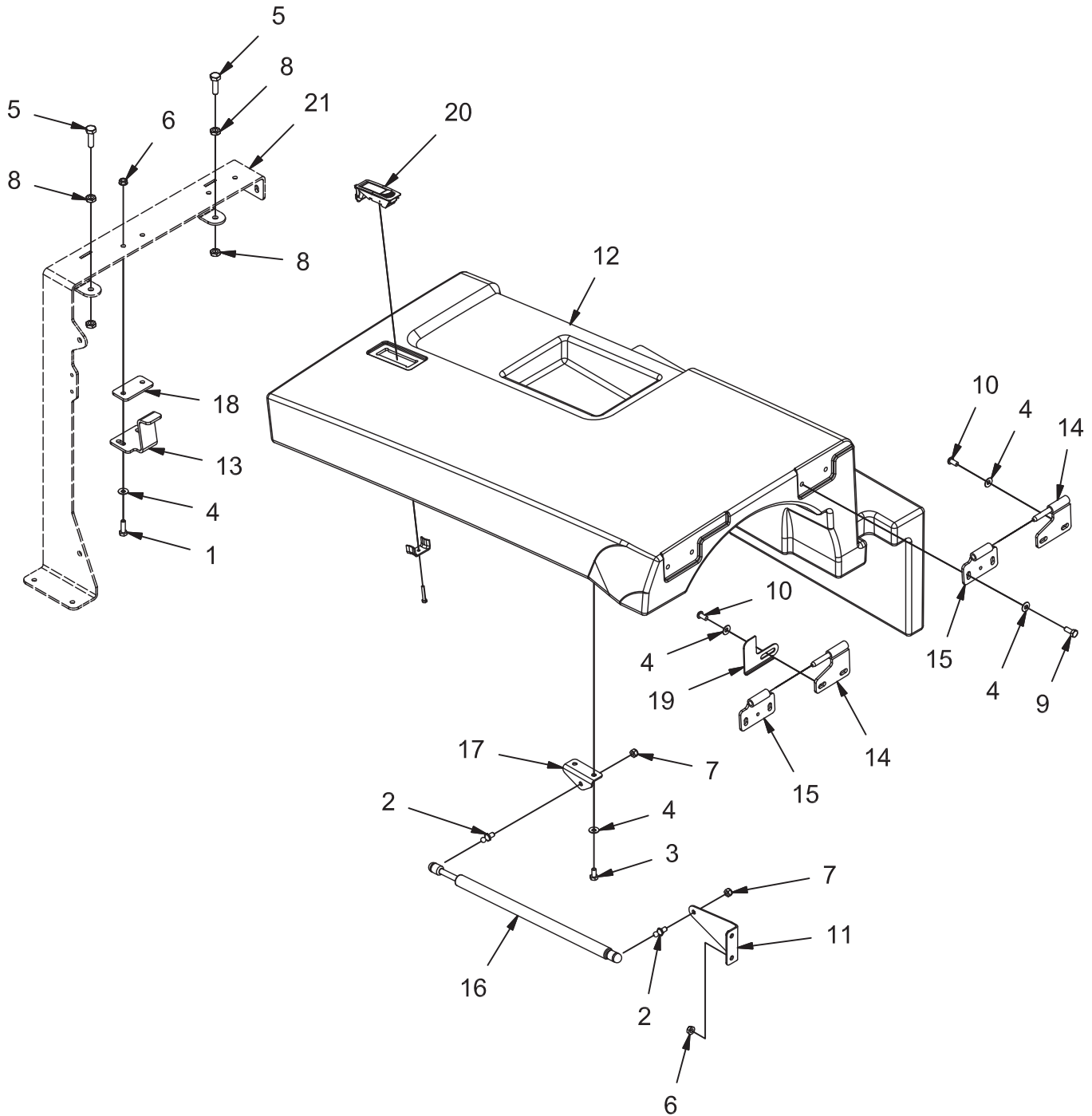


REV E

**FRONT COVER GROUP (730143)**

Parts List 730143			
ITEM	PART NUMBER	QTY	DESCRIPTION
1	12040051	1	NUT, M8-1.25 ESN
2	3307719	2	DRAW LATCH
3	3400082	6	NUT, FIBER INSERT #8-32
4	3400102	1	LOCK WASHER, 5/16 HS MED
5	3400384	14	WASHER, 5/16 BELLEVILLE
6	600220	1	BUMPER, 1.00 X .625 T
7	600383	2	WELDMENT, HINGE, MALE, LG
8	600924	1	BOLT, M10-1.50 X 35 HH FULL THRD
9	600934	2	NUT, M8-1.25 FLNG
10	710230	6	SCREW, #8-32 X .62 PAN HD
11	711322	2	NUT, HEX 5/16-24 ZP
12	717014	2	NUT, M10-1.50 JAM
13	717024	15	BOLT, M8-1.25 X 20 HH
14	730407	2	WELDMENT, HINGE, FEM
15	730429	1	MOUNT, STRIKER
16	730430	1	BALL JOINT, .312, QUICK RELEASE
17	730431	1	CABLE ASSEMBLY
18	730446	1	FRONT COVER
19	730447	2	COVER, HINGE
20	730448	1	SPACER, .328 B .375 OD .188 T
21	731265	1	EDGING, GRILL
22	731861	1	WELDMENT, GRILLE
23	PART OF 3307719	1	KEEPER
24	REF	-	CONSOLE MTG ANGLE
25	REF	-	COVER FRAME
26	REF	-	FRAME

TOP COVER GROUP (730144)

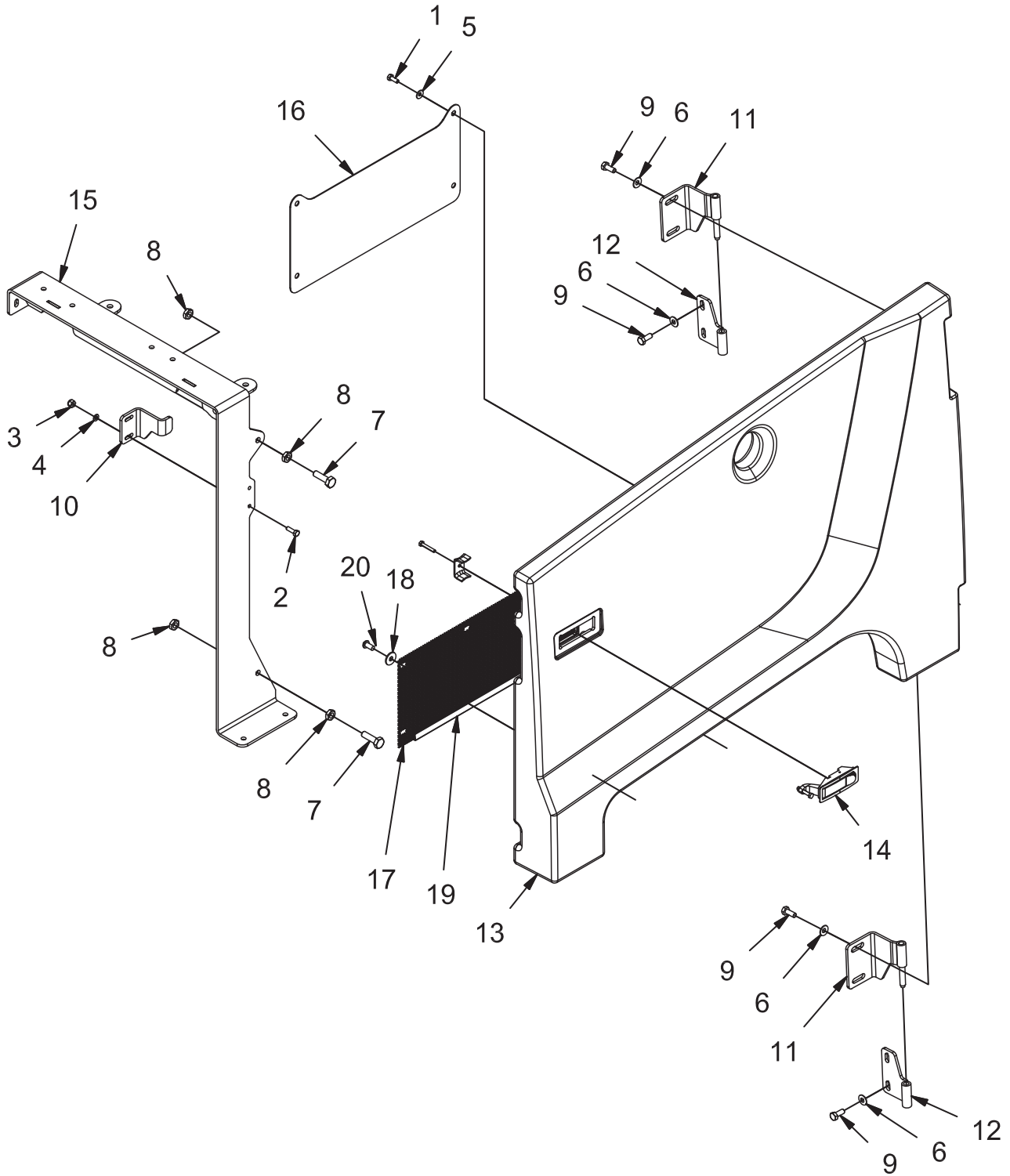


REV F

**TOP COVER GROUP (730144)**

Parts List 730144			
ITEM	PART NUMBER	QTY	DESCRIPTION
1	11038247	2	BLT-HH M8-1.25 X 25 STL ZINC
2	3300376	2	STUD, 10MM BALL
3	3400291	2	BOLT, M8-1.25 X 16 HH
4	3400384	12	WASHER, 5/16 BELLEVILLE
5	600924	2	BOLT, M10-1.50 X 35 HH FULL THRD
6	600934	4	NUT, M8-1.25 FLNG
7	711374	2	NUT, FIBER INSERT 5/16-18
8	717014	4	NUT, M10-1.50 JAM
9	717024	3	BOLT, M8-1.25 X 20 HH
10	730399	4	SCREW, M8-1.25 X 16 BUTTON HD CAP CZP
11	730433	1	MOUNT, GAS STRUT
12	730450	1	TOP COVER
13	730452	1	STRIKER, TOP COVER
14	730454	2	WELDMENT, HINGE, MALE
15	730456	2	WELDMENT, HINGE, FEM
16	730457L	1	GAS STRUT, LOCKING, 30.9 EXT X 13.8 STK
17	730459	1	ANGLE, GAS STRUT MNT
18	730461	1	BAR, SPACER
19	731132	1	RETAINER, COVER
20	731433	1	LATCH
21	REF	-	COVER FRAME

SIDE DOOR GROUP (731914)



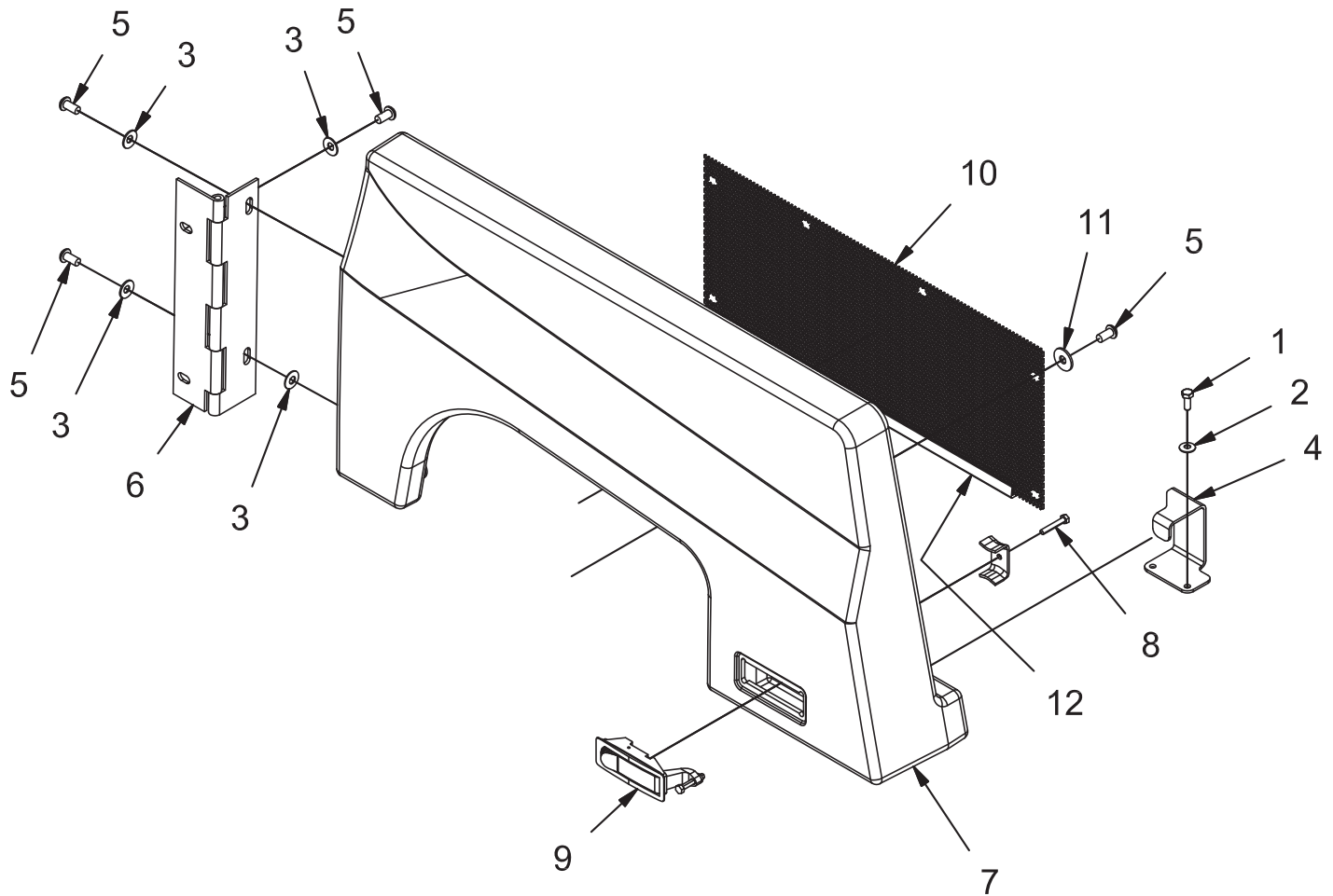
REV A



**SIDE DOOR GROUP (731914)**

Parts List 731914			
ITEM	PART NUMBER	QTY	DESCRIPTION
1	11038072	4	BOLT, M6-1.00 X 16 HH
2	11038098	2	BOLT, M6-100 X 20 HH
3	12040044	2	NUT, M6-1.00 ESN
4	12310033	2	WASHER, M6
5	3400383	4	WASHER, 1/4 BELLEVILLE
6	3400384	8	WASHER, 5/16 BELLEVILLE
7	600924	2	BOLT, M10-1.50 X 35 HH FULL THRD
8	717014	4	NUT, M10-1.50 JAM
9	717024	8	BOLT, M8-1.25 X 20 HH
10	730403	1	STRIKER, DOOR
11	730405	2	WELDMENT, HINGE, MALE
12	730407	2	WELDMENT, HINGE, FEM
13	731904	1	DOOR, LEFT SIDE
14	731433	1	LATCH
15	REF.	-	COVER FRAME
16	731915	1	SHIELD, HEAT ZP
17	731916	1	GRILL, LH SIDE
18	600940	8	WASHER, M8 FENDER
19	3500118	28 IN.	EDGING-VINYL TRIM 1/8" X 250'
20	730399	8	SCREW, M8-1.25 X 16 BUTTON HD CAP CZP

SEAT DOOR GROUP (731913)

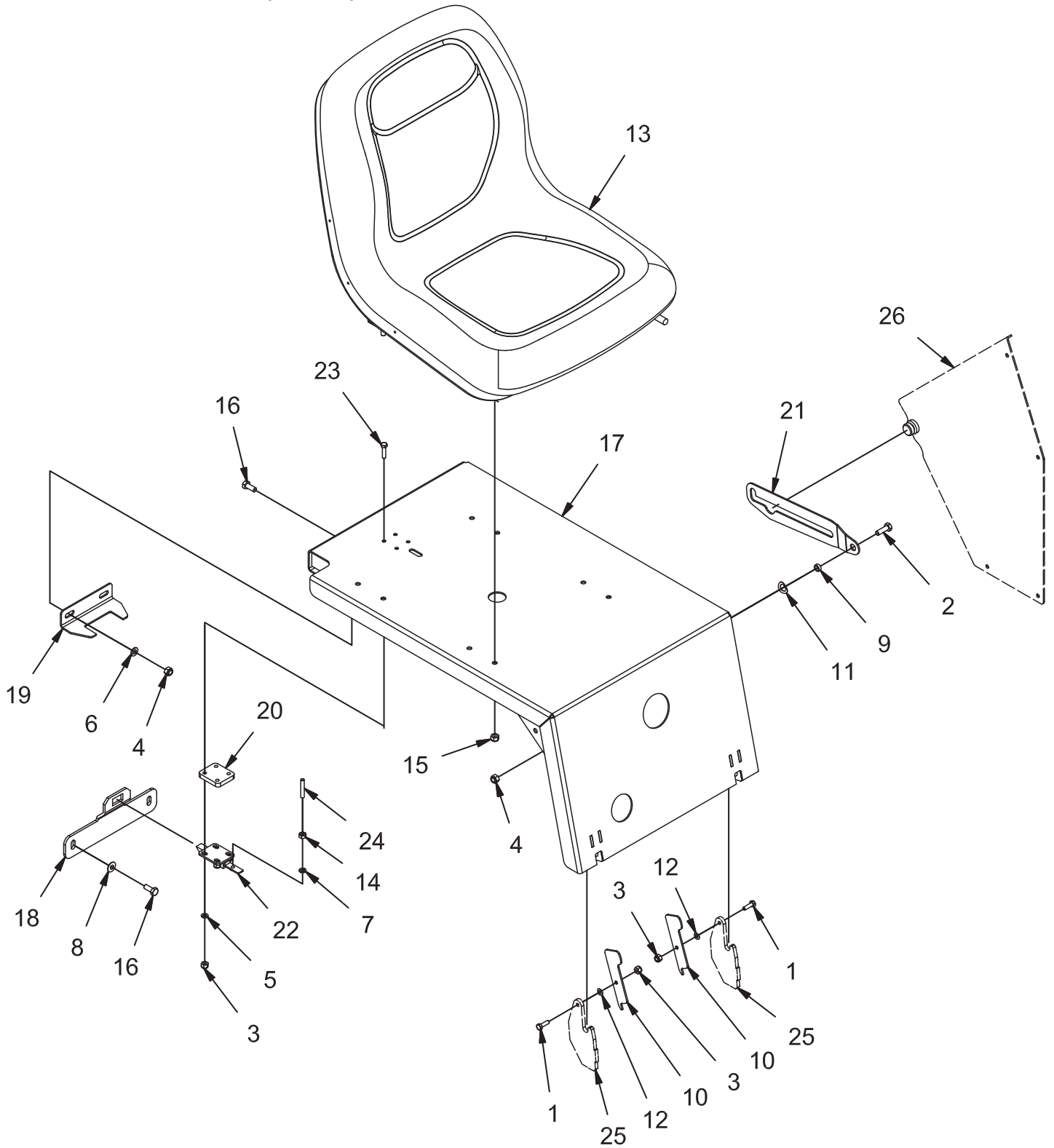


REV A

**SEAT DOOR GROUP (731913)**

Parts List 731913			
ITEM	PART NUMBER	QTY	DESCRIPTION
1	11038072	2	BOLT, M6-1.00 X 16 HH
2	3400383	2	WASHER, 1/4 BELLEVILLE
3	3400384	5	WASHER, 5/16 BELLEVILLE
4	730398	1	STRIKER, SEAT DOOR
5	730399	10	SCREW, M8-1.25 X 16 BUTTON HD CAP CZP
6	730400	1	HINGE, CONT, 4"
7	731905	1	DOOR, SEAT
8	3400044	1	SCR-HH 10-32 X .75 ZP SERR FLANGE
9	731433	1	LATCH
10	731917	1	GRILL, RH SIDE
11	600940	6	WASHER, M8 FENDER
12	3500118	16 IN.	EDGING-VINYL TRIM 1/8" X 250'

SEAT MOUNT GROUP (730147)

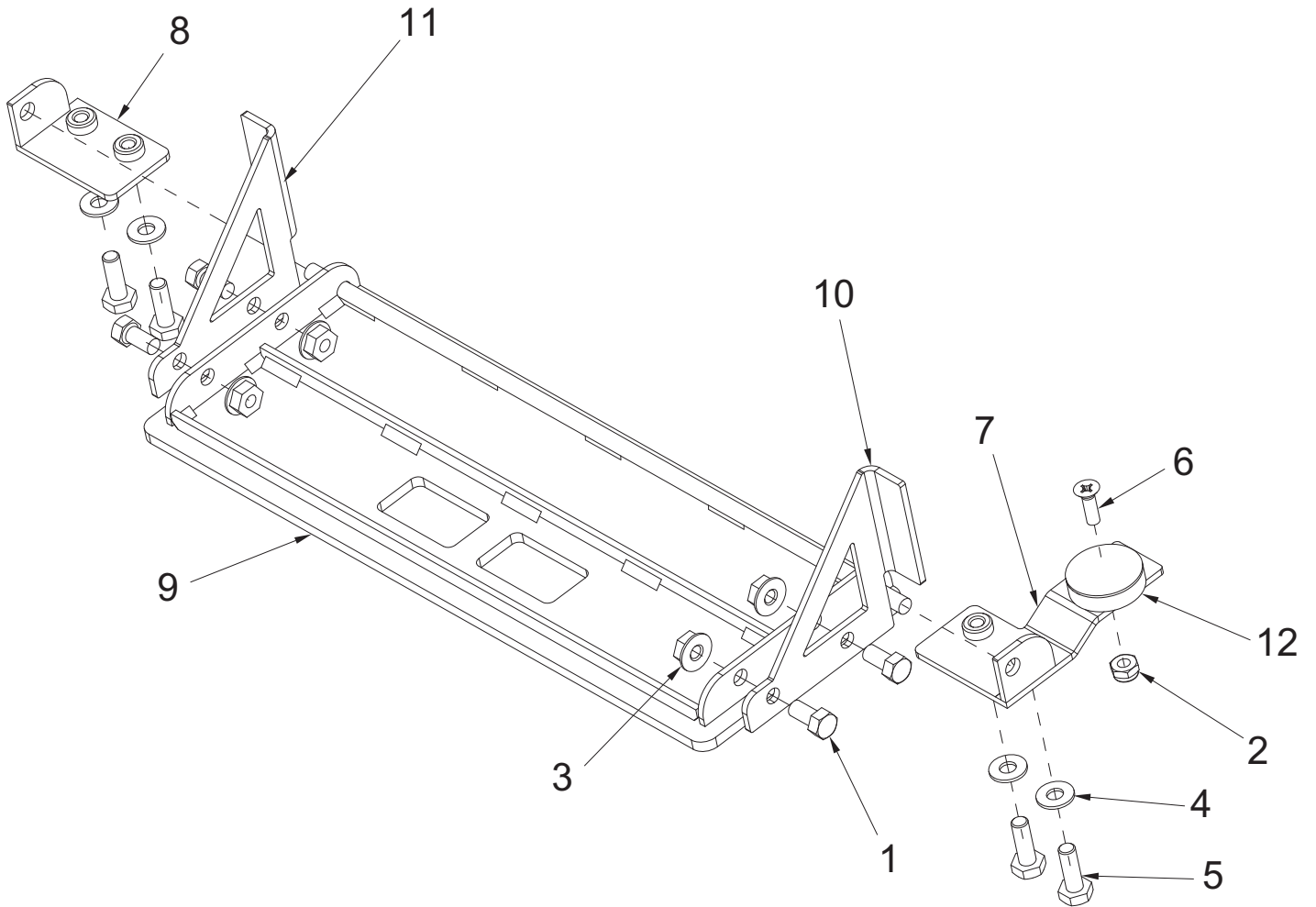


REV D

**SEAT MOUNT GROUP (730147)**

Parts List 730147			
ITEM	PART NUMBER	QTY	DESCRIPTION
1	11038098	2	BOLT, M6-100 X 20 HH
2	11038247	1	BLT-HH M8-1.25 X 25 STL ZINC
3	12040044	6	NUT, M6-1.00 ESN
4	12040051	3	NUT, M8-1.25 ESN
5	12310033	4	WASHER, M6
6	12310041	2	WASHER, M8
7	173080	1	WASHER-FLAT .266 X .875 X .07 SS
8	3400384	2	WASHER, 5/16 BELLEVILLE
9	600138	1	SPACER, .328 B .500 OD .188 T
10	600194	2	LATCH, COVER
11	600948	1	WASHER, .50 CURVED SPRING
12	600963	2	WASHER, M6, CURVED SPRING
13	620219	1	SEAT
14	711425	1	NUT-FLANGED WIZZ 1/4-20 ZP
15	711374	4	NUT, FIBER INSERT 5/16-18
16	717024	4	BOLT, M8-1.25 X 20 HH
17	730320	1	WELDMENT, SEAT MNT
18	730482	1	BRACKET, SEAT STRIKER
19	730484	1	PLATE, SEAT LOCK
20	730486	1	PLT, SPACER
21	730487	1	SUPPORT, SEAT MNT
22	730488	1	SLIDE LATCH
23	717021	4	SCR-HH M6-1.0 X 30 ZP CLASS 8.8
24	731163	1	ROD, LATCH
25	REF	-	CONSOLE
26	REF	-	COVER PLATE

REAR STEP GROUP, HD (770139)

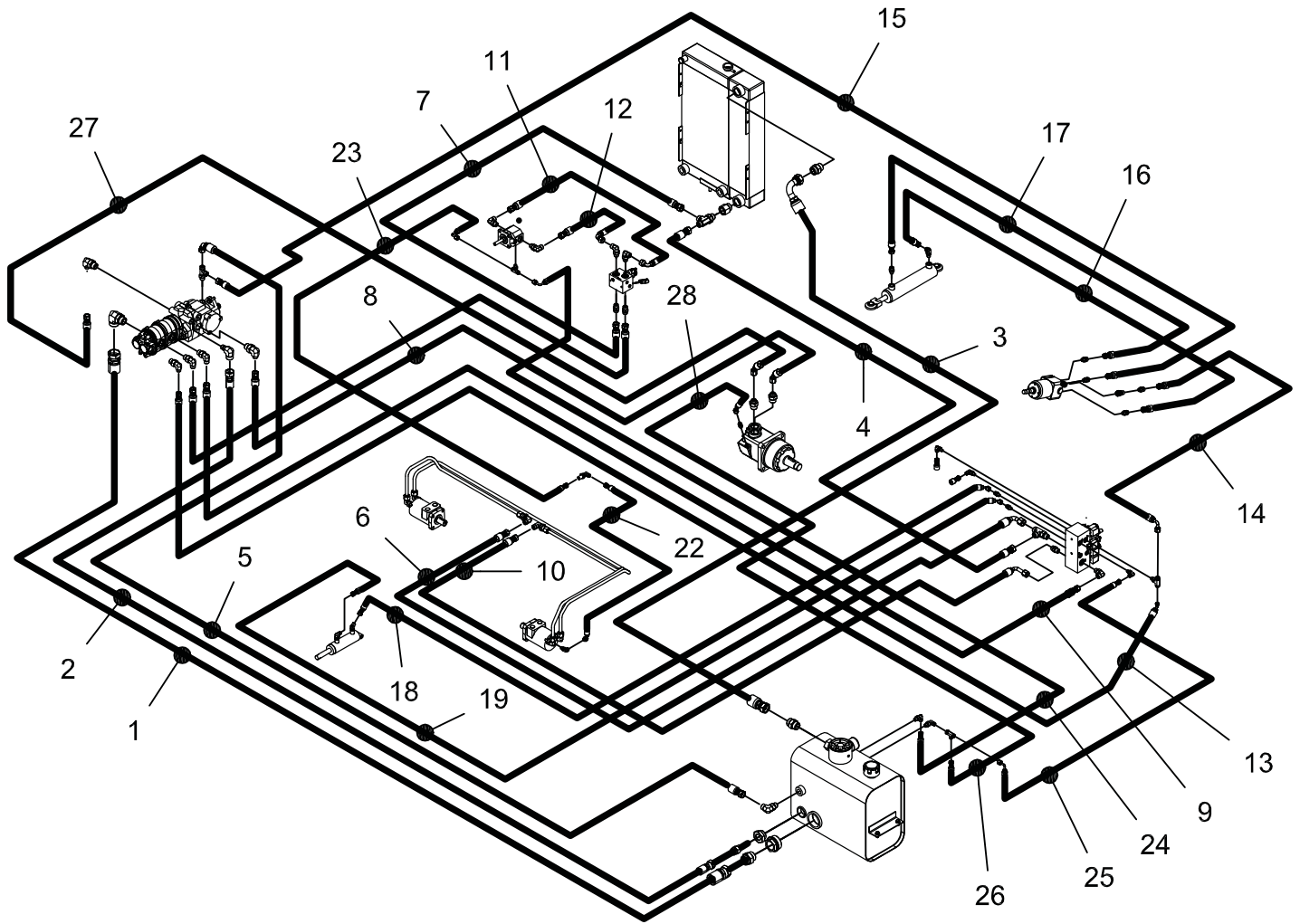


REV A

**REAR STEP GROUP, HD (770139)**

<b>Parts List</b>			
<b>ITEM</b>	<b>PART NUMBER</b>	<b>QTY</b>	<b>DESCRIPTION</b>
1	711202	4	SCR-HH 1/4-20 X .50 ZP
2	711350	1	NUT-NYLOC 10-32 ZP
3	711425	4	NUT-FLANGED WIZZ 1/4-20 ZP
4	711504	4	WASHER-FLAT 1/4 SS
5	712562	4	SCR-HH 1/4-20 X .75, 18-8 SS
6	712826	1	SCR-FHMS 10-32 X .625 ZP
7	770125	1	MTG, REAR STEP, RIGHT, NAUTILUS HD
8	770129	1	MTG, REAR STEP, LEFT, NAUTILUS HD
9	770130	1	WELDMENT, REAR STEP, NAUTILUS HD
10	770135	1	BRACKET, RIGHT, REAR STEP, NAUTILUS HD
11	770136	1	BRACKET, LEFT, REAR STEP, NAUTILUS HD
12	770137	1	MAGNET, 1.26" OD X .315 THK, 75LB

HYDRAULIC HOSE GROUP (730148)



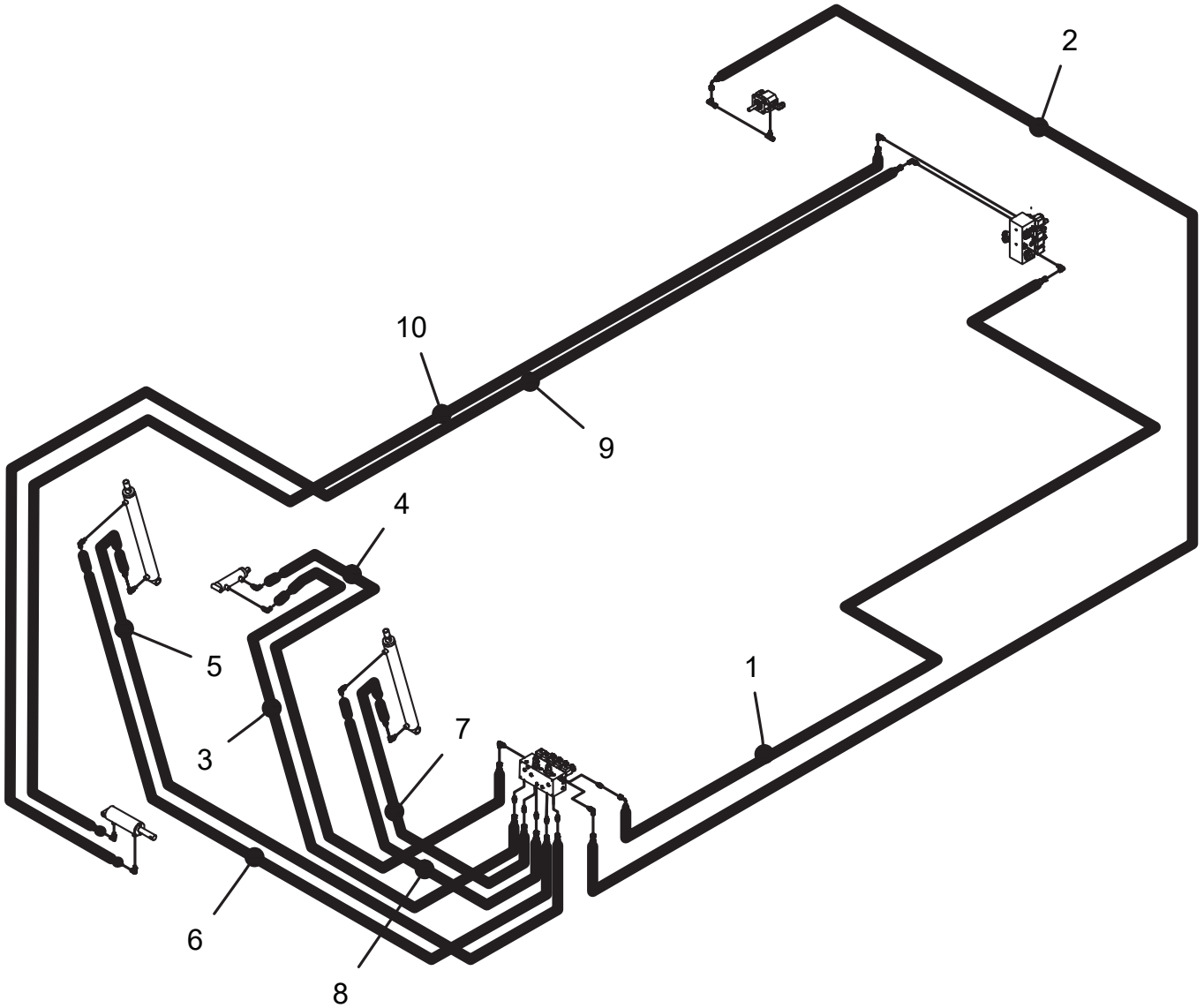
REV C



**HYDRAULIC HOSE GROUP (730148)**

Parts List 730148			
ITEM	PART NUMBER	QTY	DESCRIPTION
1	731051	1	HOSE, 20 STR - 20 STR SUC (RES TO AUX PUMP IN)
2	731052	1	HOSE, 12 STR - 12 STR SUC (RES TO VDP CASE)
3	731053	1	HOSE, 16 STR - 16 90 RET (COOLER UPPER TO RES)
4	731054	1	HOSE, 10 STR - 10 STR RET (VALVE T2 TO COOLER)
5	731055	1	HOSE, 10 STR - 8 90 RET (VDP CASE TO RES)
6	731056	1	HOSE, 8 STR - 10 90 MED (MB LEFT TO VALVE T2)
7	731057	1	HOSE, 8 STR - 10 STR MED (IMP SOL T TO COOLER)
8	731058	1	HOSE, 8 STR - 8 STR MED (AUX PUMP 2 TO IMP SOL P)
9	731059	1	HOSE, 8 STR - 8 STR MED (AUX PUMP 1 TO VALVE P2)
10	731060	1	HOSE, 8 STR - 8 90 MED (VALVE MB OUT TO MB RIGHT)
11	731061	1	HOSE, 8 STR - 8 90 MED (IMP SOL VF OUT TO IMP LEFT)
12	731062	1	HOSE, 8 STR - 8 90 MED (IMP RIGHT TO IMP SOL VF IN)
13	731063	1	HOSE, 6 STR - 6 45 MED (AUX PUMP 3 TO VALVE P1)
14	731064	1	HOSE, 6 STR - 6 90 MED (VALVE P1 TO STR PRESS)
15	731065	1	HOSE, 6 STR - 8 STR RET (STR TANK TO VDP CASE)
16	731066	1	HOSE, 6 STR - 6 STR MED (STR LEFT TO CYL F)
17	731067	1	HOSE, 6 STR - 6 STR MED (STR RIGHT TO CYL R)
18	731068	1	HOSE, 4 STR - 4 45 MED (VALVE BL A TO SH CYL F)
19	731069	1	HOSE, 4 STR - 4 45 MED (VALVE BL B TO SH CYL R)
22	731072	1	HOSE, 4 STR - 4 45 MED (MB CASE TO MB MOTOR)
23	731073	1	HOSE, 4 STR - 4 90 MED (MB CASE TO IMP CASE)
24	731074	1	HOSE, 4 STR - 4 90 MED (IMP CASE TO RES)
25	731075	1	HOSE, 4 STR - 4 90 MED (VALVE T1 TO RES)
26	731076	1	HOSE, 4 STR - 4 45 MED (WHEEL DRIVE CASE TO RES)
27	731077	1	HOSE, 8 STR - 8 45 SPCL (VDP L TO WHEEL DRIVE R)
28	731078	1	HOSE, 8 STR - 8 45 SPCL (VDP R TO WHEEL DRIVE F)

HYDRAULIC HI-DUMP HOSE GROUP (770118)

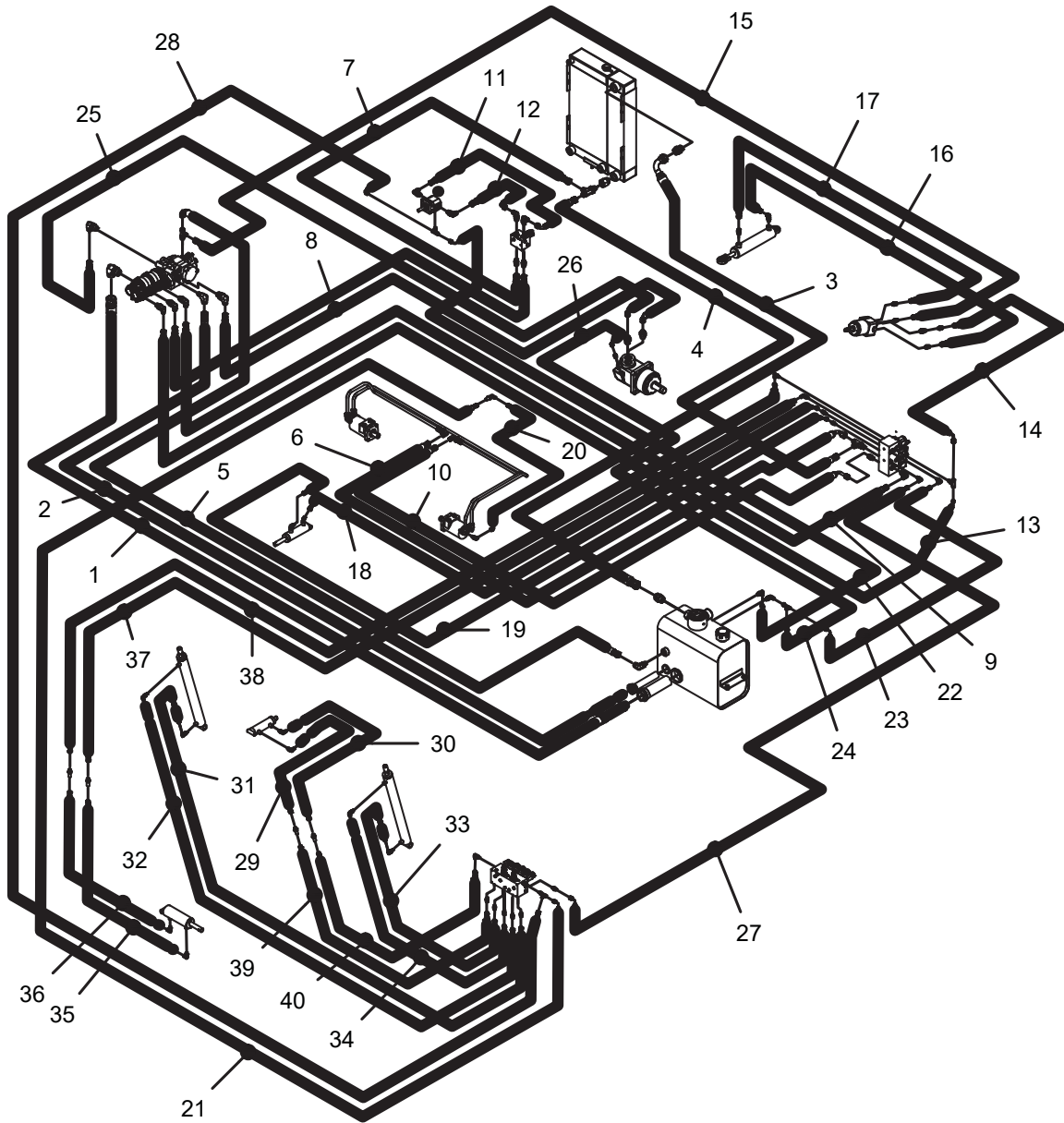


REV B

**HYDRAULIC HI-DUMP HOSE GROUP (770118)**

Parts List 770118			
ITEM	PART NUMBER	QTY	DESCRIPTION
1	770568	1	HOSE, 4 STR - 4 90 MED (VALVE PB TO HD VALVE P)
2	770569	1	HOSE, 4 STR - 4 90 MED (HD VALVE T TO IMP CASE CEN)
3	770570	1	HOSE, 4 STR - 4 STR MED (HD VALVE HD B TO DOOR CYL R)
4	770571	1	HOSE, 4 STR - 4 STR MED (HD VALVE HD A TO DOOR CYL F)
5	770572	1	HOSE, 4 STR - 4 STR MED (HD VALVE SAL A TO S- LIFT CYL L)
6	770573	1	HOSE, 4 STR - 4 STR MED (HD VALVE SAL B TO S-LIFT CYL U)
7	770574	1	HOSE, 4 STR - 4 STR MED (HD VALVE HL B TO H-LIFT CYL U)
8	770575	1	HOSE, 4 STR - 4 STR MED (HD VALVE HL A TO H-LIFT CYL L)
9	770576	1	HOSE, 4 STR - 4 STR MED (VALVE SG A TO SQU CYL R)
10	770577	1	HOSE, 4 STR - 4 STR MED (VALVE SG B TO SQU CYL L)

HYDRAULIC HI-DUMP HOSE ROUTING (770119)

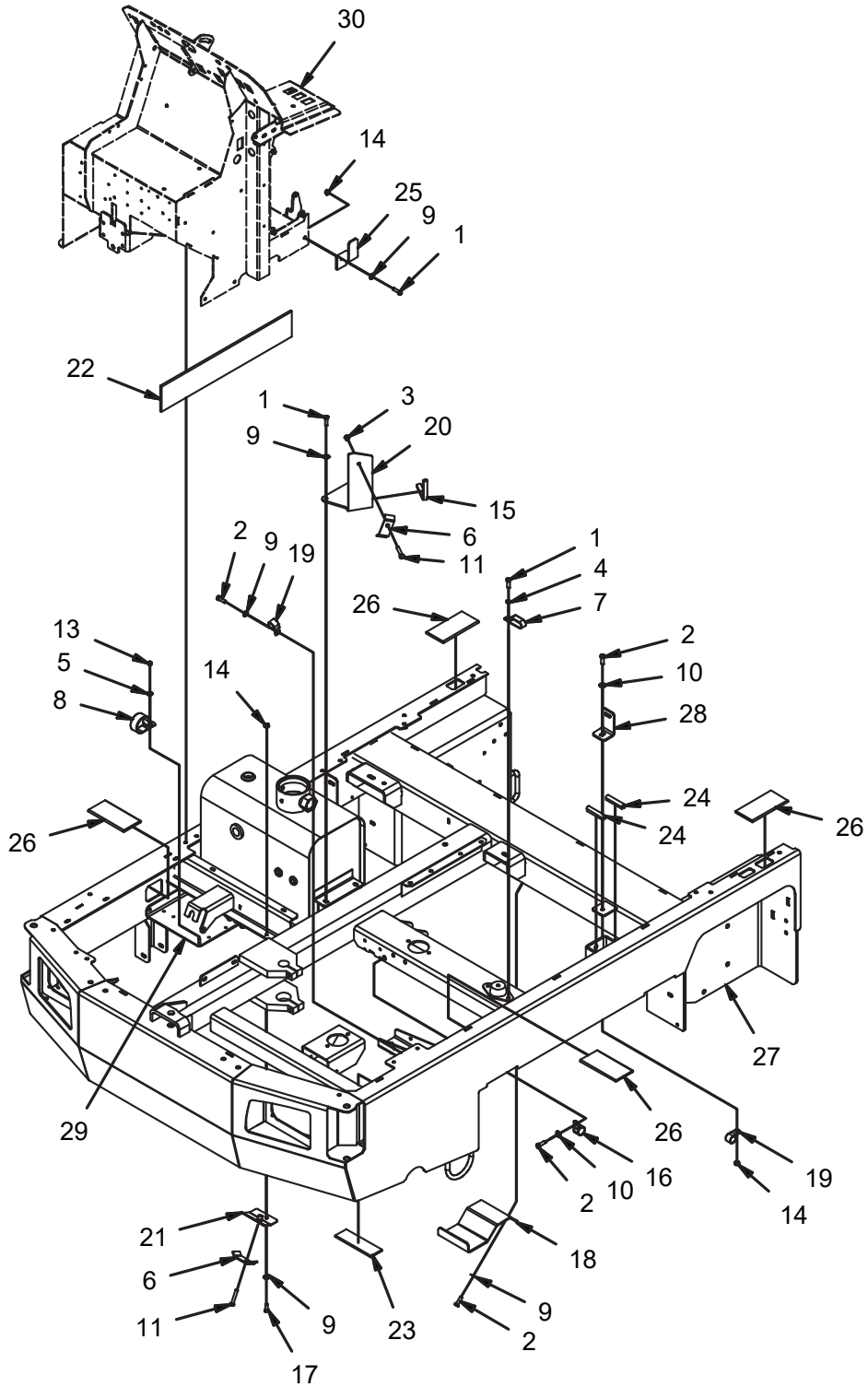


REV B

**HYDRAULIC HI-DUMP HOSE ROUTING (770119)**

Parts List 770119			
ITEM	PART NUMBER	QTY	DESCRIPTION
1	731051	1	HOSE, 20 STR - 20 STR SUC (RES TO AUX PUMP IN)
2	731052	1	HOSE, 12 STR - 12 STR SUC (RES TO VDP CASE)
3	731053	1	HOSE, 16 STR - 16 90 RET (COOLER UPPER TO RES)
4	731054	1	HOSE, 10 STR - 10 STR RET (VALVE T2 TO COOLER)
5	731055	1	HOSE, 10 STR - 8 90 RET (VDP CASE TO RES)
6	731056	1	HOSE, 8 STR - 10 90 MED (MB LEFT TO VALVE T2)
7	731057	1	HOSE, 8 STR - 10 STR MED (IMP SOL T TO COOLER)
8	731058	1	HOSE, 8 STR - 8 STR MED (AUX PUMP 2 TO IMP SOL P)
9	731059	1	HOSE, 8 STR - 8 STR MED (AUX PUMP 1 TO VALVE P2)
10	731060	1	HOSE, 8 STR - 8 90 MED (VALVE MB OUT TO MB RIGHT)
11	731061	1	HOSE, 8 STR - 8 90 MED (IMP SOL VF OUT TO IMP LEFT)
12	731062	1	HOSE, 8 STR - 8 90 MED (IMP RIGHT TO IMP SOL VF IN)
13	731063	1	HOSE, 6 STR - 6 45 MED (AUX PUMP 3 TO VALVE P1)
14	731064	1	HOSE, 6 STR - 6 90 MED (VALVE P1 TO STR PRESS)
15	731065	1	HOSE, 6 STR - 8 STR RET (STR TANK TO VDP CASE)
16	731066	1	HOSE, 6 STR - 6 STR MED (STR LEFT TO CYL F)
17	731067	1	HOSE, 6 STR - 6 STR MED (STR RIGHT TO CYL R)
18	731068	1	HOSE, 4 STR - 4 45 MED (VALVE BL A TO SH CYL F)
19	731069	1	HOSE, 4 STR - 4 45 MED (VALVE BL B TO SH CYL R)
20	731072	1	HOSE, 4 STR - 4 45 MED (MB CASE TO MB MOTOR)
21	731073	1	HOSE, 4 STR - 4 90 MED (MB CASE TO HD VALVE T)
22	731074	1	HOSE, 4 STR - 4 90 MED (IMP CASE TO RES)
23	731075	1	HOSE, 4 STR - 4 90 MED (VALVE T1 TO RES)
24	731076	1	HOSE, 4 STR - 4 45 MED (WHEEL DRIVE CASE TO RES)
25	731077	1	HOSE, 8 STR - 8 45 SPCL (VDP L TO WHEEL DRIVE R)
26	731078	1	HOSE, 8 STR - 8 45 SPCL (VDP R TO WHEEL DRIVE F)
27	770568	1	HOSE, 4 STR - 4 90 MED (VALVE PB TO HD VALVE P)
28	770569	1	HOSE, 4 STR - 4 90 MED (IMP CASE L TO HD VALVE T)
29	770570	1	HOSE, 4 STR - 4 STR MED (HD VALVE HD B TO DOOR CYL R)
30	770571	1	HOSE, 4 STR - 4 STR MED (HD VALVE HD A TO DOOR CYL F)
31	770572	1	HOSE, 4 STR - 4 STR MED (HD VALVE SAL A TO S-LIFT CYL L)
32	770573	1	HOSE, 4 STR - 4 STR MED (HD VALVE SAL B TO S-LIFT CYL U)
33	770574	1	HOSE, 4 STR - 4 STR MED (HD VALVE HL B TO H-LIFT CYL U)
34	770575	1	HOSE, 4 STR - 4 STR MED (HD VALVE HL A TO H-LIFT CYL L)
35	770576	1	HOSE, 4 STR - 4 STR MED (SQU CYL R TO L PILLAR RH BULKHD)
36	770577	1	HOSE, 4 STR - 4 STR MED (SQU CYL L TO L PILLAR LH BULKHD)
37	770584	1	HOSE, 4 STR -4 STR (L PILLAR RH BULKHD TO VALVE SG A)
38	770585	1	HOSE, -4STR -4 STR (L PILLAR LH BULKHD TO VALVE SG B)
39	770586	1	HOSE, 4 STR -4 STR (R PILLAR LH BULKHD TO VALVE HD B)
40	770587	1	HASE, 4 STR -4 STR (R PILLAR RH BULKHD TO VALVE HD A)

HOSE CLAMP GROUP ONE (770120)

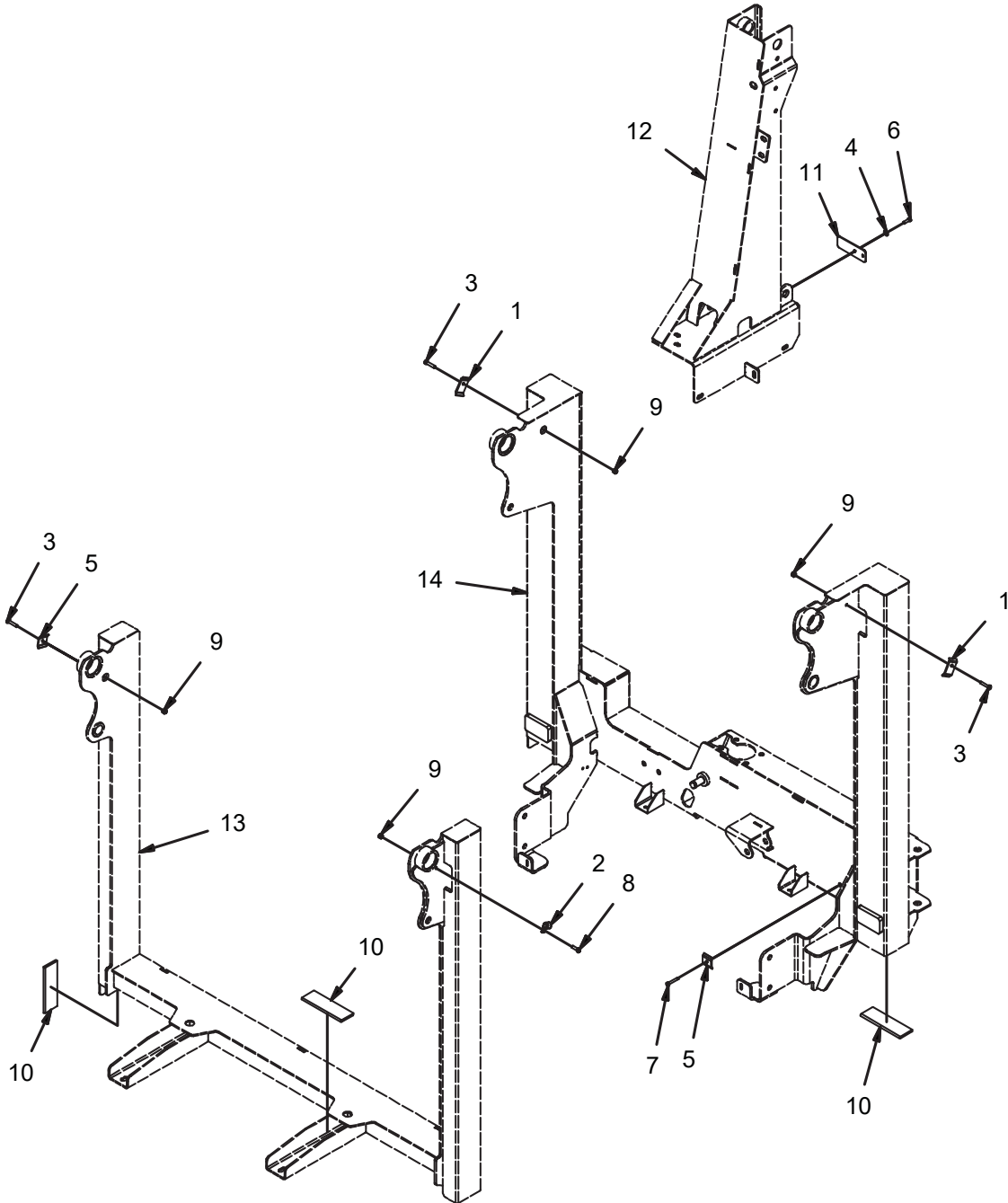


REV C

**HOSE CLAMP GROUP (770120)**

Parts List 770120-1			
ITEM	PART NUMBER	QTY	DESCRIPTION
1	11038247	4	BLT-HH M8-1.25 X 25 STL ZINC
2	11039567	5	BOLT, M8-1.25 X 25 HH SS
3	12040259	1	NUT, M8-1.25 ESN SS
4	12310041	1	WASHER, M8
5	12332011	1	WASHER, FENDER, M6
6	3305398	2	RETAINER, HOSE, OFFSET, 8
7	3335599	1	CLAMP, HOSE
8	3343539	1	CLAMP, 2"
9	3400384	7	WASHER, 5/16 BELLEVILLE
10	3400385	2	WASHER, 3/8, BELLEVILLE
11	600820	2	BOLT, M8-1.25 X 45 HH
12	600913	1	BOLT, M6-1.00 X 20 HH SS
13	600933	1	NUT, M6-1.00 ESN SS
14	600934	5	NUT, M8-1.25 FLNG
15	620039	1	EDGING, 3/16 X 5.75"
16	690011	1	CLAMP, P TYPE, 1.00 DIA
17	717030	1	BOLT, M8-1.25 X 20 HH SS
18	731145	1	BRACKET, HOSE TRAY
19	731146	2	CLAMP, HOSE, .88
20	731147	1	TRAY, REAR HOSE
21	731148-1	1	ASSEMBLY, HOSE CLAMP BRACKET
22	731150	1	SLEEVE, AS-B-37 X 30.0"
23	731151	1	SLEEVE, AS-B-17 X 6.0"
24	731152	2	EDGING, .31 X 2.75"
25	731153	1	BRACKET, CENTER HOSE
26	770596	4	SLEEVE, AS-B-33 X 6.0"
27	REF.	-	FRAME
28	REF.	-	BRACKET, TANK MNT
29	REF.	-	BRACKET, FILTER MNT
30	REF.	-	CONSOLE

HOSE CLAMP GROUP TWO (770120)



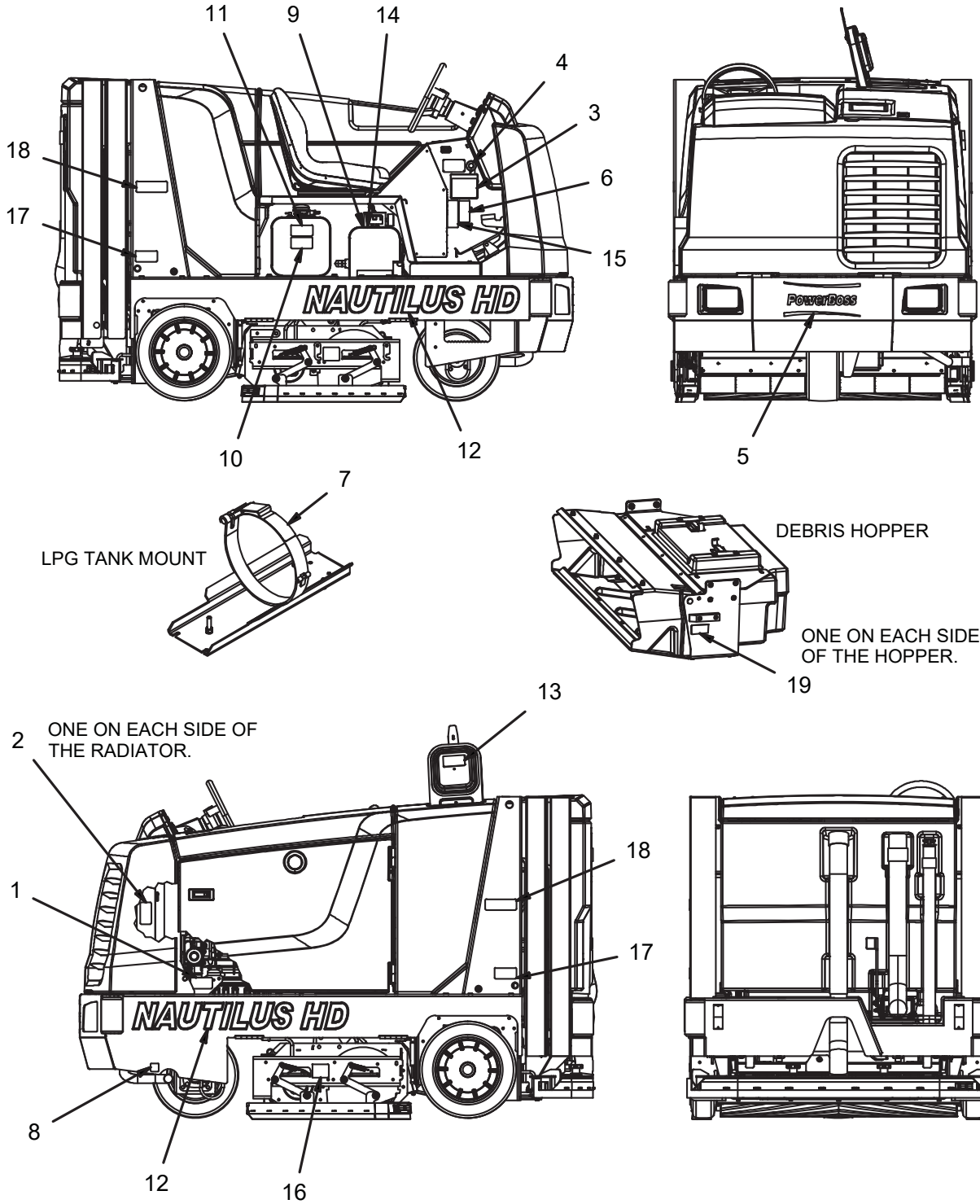
REV A



**HOSE CLAMP GROUP TWO (770120)**

Parts List 770120-1			
ITEM	PART NUMBER	QTY	DESCRIPTION
1	3302340	2	RETAINER, HOSE, OFFSET 4
2	3343082	1	CLAMP, HOSE, .56
3	3400227	3	SCREW, 1/4-20 X 1.25 HH ZP
4	3400383	2	WASHER, 1/4 BELLEVILLE
5	600822	2	RETAINER, HOSE, SYM, 6
6	600913	2	BOLT, M6-1.00 X 20 HH SS
7	600952	1	BOLT, M6-1.00 X 35 HH
8	711206	1	BLT - HH 1/4-20 X .87 STL ZINC
9	711373	4	NUT, FIBER INSERT 1/4-20
10	731151	3	SLEEVE, AS-B-17 X 6.0"
11	770598	1	RETAINER, WIRE
12	REF.	-	RH PILLAR
13	REF.	-	HOPPER LIFT ARM
14	REF.	-	SQU LIFT ARM

## DECAL GROUP (770121)



REV \*

**DECAL GROUP (770121)**

Parts List DECAL GROUP 770121			
ITEM	PART NUMBER	QTY	DESCRIPTION
1	3301730	1	DECAL, WARNING FAN BELT (ENG)
2	3301733	2	DECAL, WARNING FAN (RAD SHROUD)
3	3301854	1	DECAL, CAUTION
4	3334827	1	DECAL, MADE IN USA
5	3334900	1	DECAL, POWERBOSS
6	3342264	1	DECAL, READ MANUAL
7	3342971	1	DECAL, LPG FUEL TANK (LPG ONLY)
8	3342978	1	DECAL, HOT SURFACE
9	715023	1	DECAL, HYDRAULIC FLUID INFORMATION
10	715949	1	DECAL, GAS FUEL WARNING
11	715953	1	DECAL, DIESEL FUEL WARNING
12	715975	2	DECAL, NAUTILUS HD
13	715965	1	DECAL, FLAMMABLE MATERIAL WARNING
14	715966	1	DECAL, WARNING, NO FUEL IN RES.
15	715967	1	DECAL, WARNING, DO NOT PICK UP
16	715968	2	DECAL, WARNING, ROTATING BRUSHES
17	3301732	2	DECAL, STAY CLEAR OF HOPPER
18	715497	2	DECAL, RAISED HOPPER
19	3342650	2	DECAL, DUMP DOOR

**ELECTRICAL GROUP (730116-HD)**

**NOTE:**

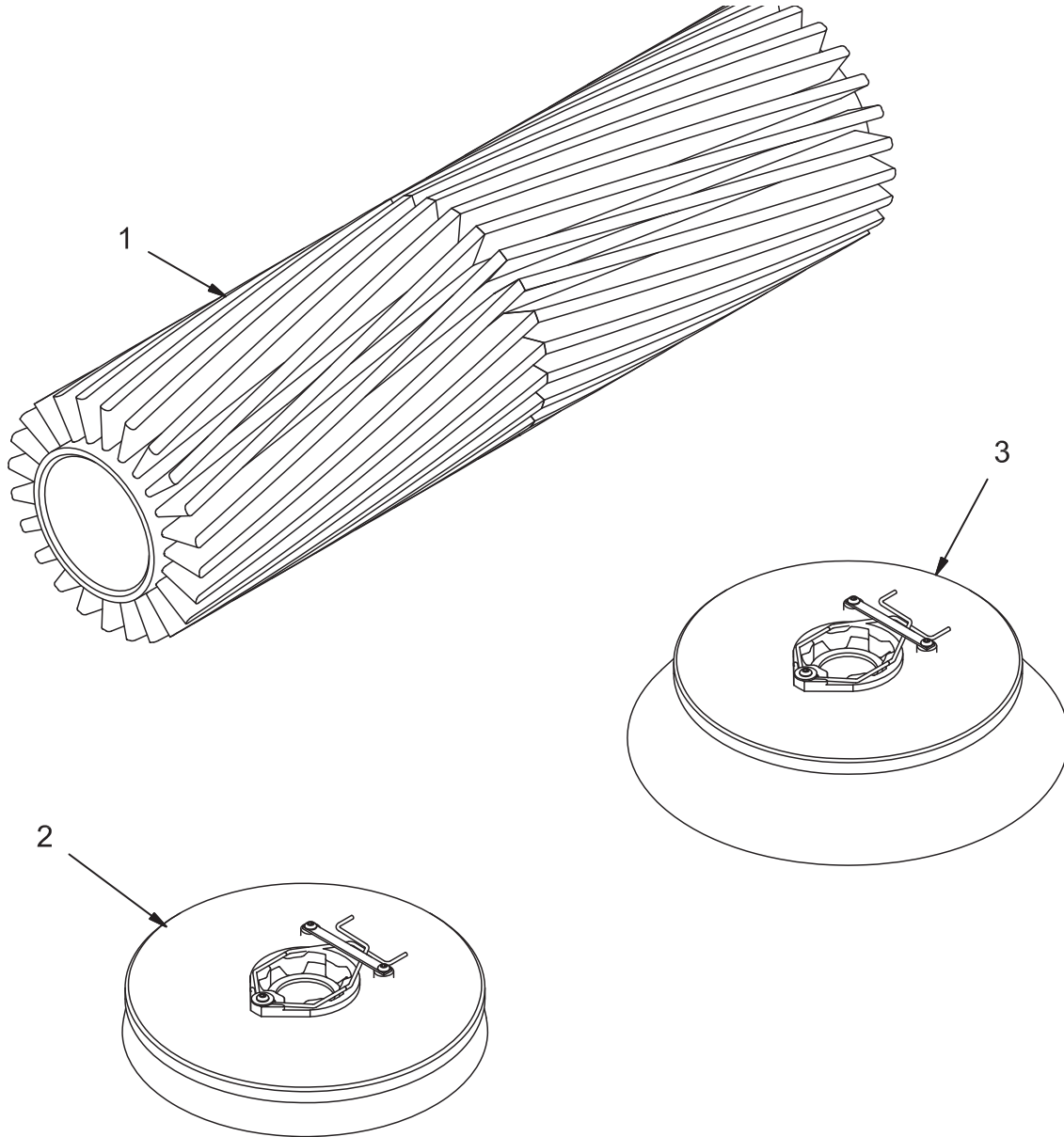
**THERE IS NO PICTURE AVAILABLE FOR THIS GROUP**

**REV A**

**ELECTRICAL GROUP (730116-HD)**

<b>Parts List</b>			
<b>ITEM</b>	<b>PART NUMBER</b>	<b>QTY</b>	<b>DESCRIPTION</b>
1	748990	1	ENGINE HARNESS
2	746050	2	INSULATOR CAP, TERMINAL RED
3	748992	1	MAIN HARNESS
4	748799	1	HARNESS, MAIN, NAUTILUS
5	731146	2	CLAMP, HOSE, .88
6	740482	2	DIODE ASY, 1N4007 W/PIGGY

BRUSH/BROOM GROUP (730175)



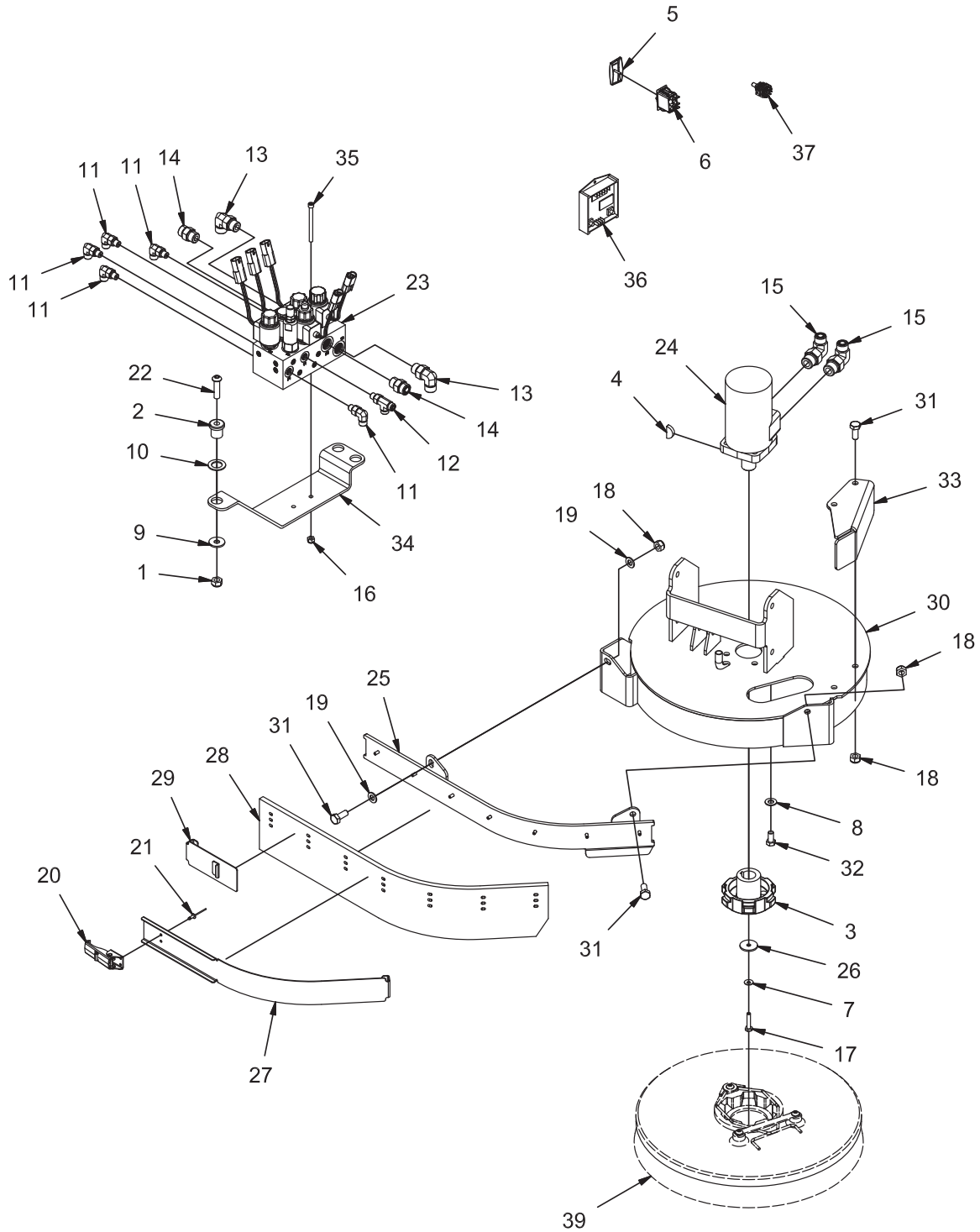
REV E

**BRUSH/BROOM GROUP (730175)**

Parts List - 730175			
ITEM	PART NUMBER	QTY	DESCRIPTION
1	731090-PH	1	BROOM, CYLINDRICAL, 45", NYLON, PH
1	731295-PH	1	BROOM, CYLINDRICAL, 45", BLACK POLY, PH
1	731296-PH	1	BROOM, CYLINDRICAL, 45", 50/80 GRIT ABRASIVE, PH
1	731297-PH	1	BROOM, CYLINDRICAL, 45", 70/46 GRIT ABRASIVE, PH
1	731308-PH	1	BROOM, CYLINDRICAL, 45", BLACK POLY, SOFT, PH
1	731588-PH	1	BRUSH, CYLINDRICAL, 45", 180 GRIT ABRASIVE
2	3313128	1	BRUSH, DISC, 16", PURPLE
2	3313126	1	BRUSH, DISC, 16", BLACK
2	3332545	1	BRUSH, DISC, 16", BLUE
2	3315385	1	BRUSH, DISC, 16", RED
2	3313136	1	BRUSH, DISC, 16", NYLON
3	731259	1	SIDE BROOM, 20", POLY

OPTIONS - PARTS BREAKDOWN

OPTION - SIDE BRUSH GROUP (730000)



REV C



**OPTION - SIDE BRUSH GROUP (730000)**

Parts List 730000			
ITEM	PART NUMBER	QTY	DESCRIPTION
1	12040069	3	NUT, M10-1.50 ESN
2	3300465	3	ISOLATOR, VIB
3	3324451	1	HUB, DRIVE
4	3330338	1	KEY, WOODRUFF .25 X .50
5	3342273	1	SWITCH COVER - BLACK, CLEAR LENS
6	3342705	1	SWITCH, DPST
7	3400383	1	WASHER, 1/4 BELLEVILLE
8	3400385	4	WASHER, 3/8, BELLEVILLE
9	600363	3	WASHER, ISOLATOR
10	66-431-A	3	WASHER, .77 B 1.25 OD .075 T
11	675507	5	FITTING, 90, -4 ORFS - 4 SAE
12	675509	1	FITTING, RUN TEE -4 ORFS TO -4 SAE
13	675523	2	FITTING, 90, -8 ORFS - 8 SAE
14	675524	2	FITTING, STR, -8 ORFS - 8 SAE
15	675528	2	FITTING, 90, -8 ORFS - 10 SAE
16	711373	2	NUT, FIBER INSERT 1/4-20
17	712566	1	SCREW, 1/4-20 X 1.25 HH SS
18	730339	4	NUT, M10-1.50 ESN SS
19	730344	2	WASHER, M10 SS
20	730652	1	LATCH, UNDER CENTER
21	730654	2	RIVET,BLIND, .156 D X .062 - .125 GRIP SS
22	730698	3	BOLT, M10-1.50 X 40 BUTTON HD CAP
23	730795-1	1	MANIFOLD ASSY, SSB
24	730892	1	MOTOR, 9.7 DISP
25	730927	1	WELDMENT, SSB SQU MNT
26	730933	1	WASHER, .28 B, 1.25 OD, .105 T SS
27	730938	1	SSB SQU RETAINER
28	730939	1	SSB SQUEEGEE
29	730940	1	WELDMENT, SSB REAR RET
30	730942	1	WELDMENT, SSB MOUNT
31	730958	4	BOLT, M10-1.50 X 25 HH SS
32	730959	4	SCREW, 3/8-16 X .750 HHC SS
33	730963	1	WELDMENT, SSB GUARD
34	730964	1	MOUNT, SSB MANIFOLD
35	730965	2	BOLT, 1/4-20 X 3.00 SOC HD CAP
36	731126	1	PROPORTIONAL VALVE DRIVER - DOUBLE
37	748796	1	DUAL BRUSH PRESSURE SELECTOR
38	748798	1	HARNESS, SIDE BRUSH
39	REF.	-	SCRUB BRUSH, 16 D

**GROUP (730036) - OPTION SIDE SCRUB BRUSH, INCLUDES SUB-GROUPS:  
730000, 730001, 730002, 730011, 730028, 730029**

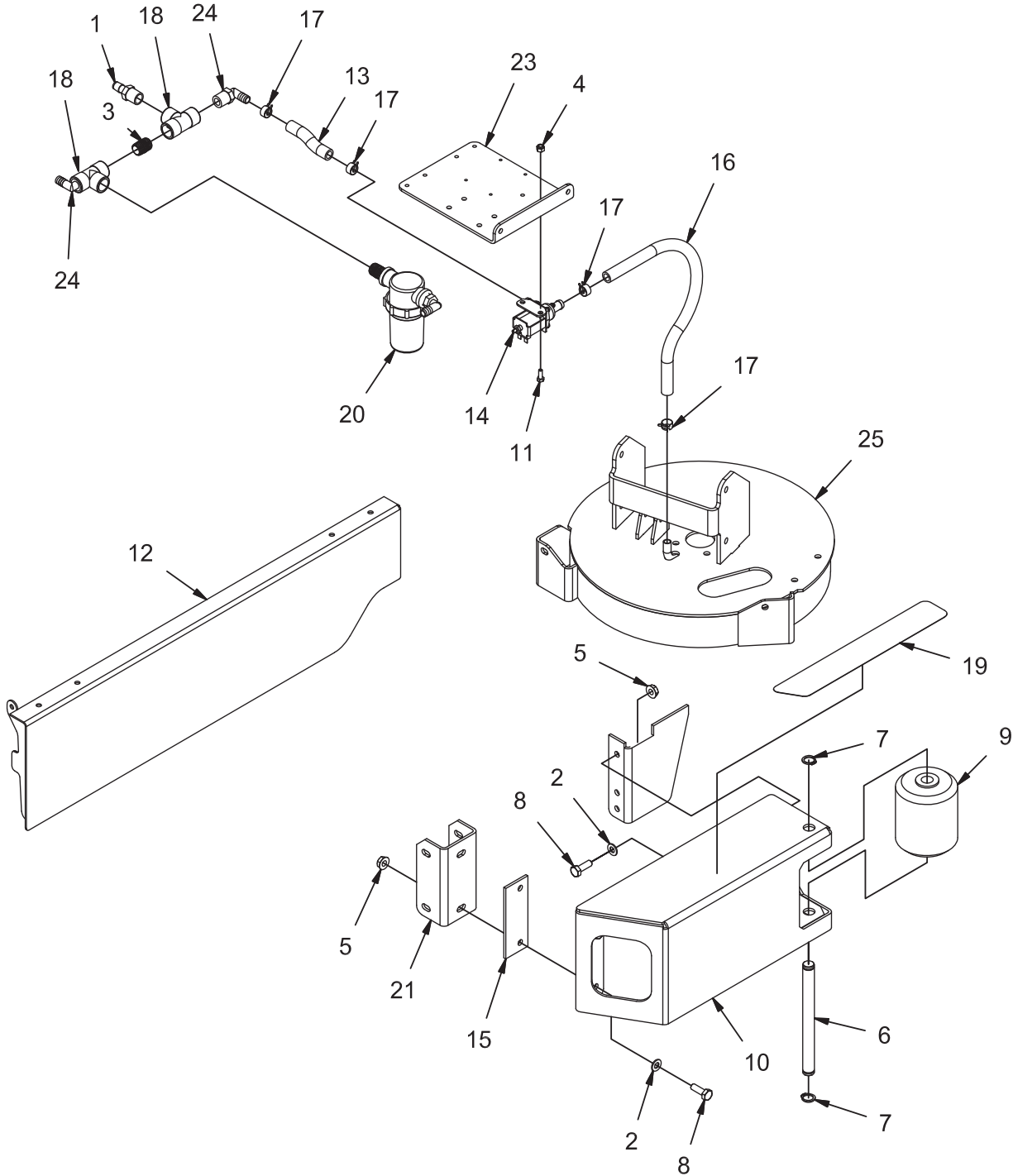


**OPTION - SIDE BRUSH LIFT GROUP (730001)**

Parts List 730001			
ITEM	PART NUMBER	QTY	DESCRIPTION
1	12040259	1	NUT, M8-1.25 ESN SS
2	3311977	1	ROD END, MALE, 1/2-20
3	3400125	4	RUE-RING, .375
4	600174	2	BEARING, FIBERGLIDE 1.00 ID 1.25 T
5	600573	2	PIN, CLEVIS, 3/8 X 1.50
6	600578	1	RUE-RING, .50
7	675507	2	FITTING, 90, -4 ORFS - 4 SAE
8	675508	2	FITTING, STR, 4 ORFS - 4-SAE
9	711337	1	NUT, HEX JAM 1/2-20
10	717030	1	BOLT, M8-1.25 X 20 HH SS
11	717040	8	WASHER, FENDER, .413 B 1.18 OD .098 T SS
12	730339	14	NUT, M10-1.50 ESN SS
13	730345	8	BOLT, M10-1.50 X 35 HH SS
14	730548	2	CYLINDER, HYD, 1.50 B X 2.88 STK
15	730602	2	PIN, CLEVIS, .375 X 2.75
16	730646	8	BEARING, DU, .63 B .72 OD .38 T
17	730647	16	WASHER, THRUST, .66 B 1.25 OD .06 T
18	730648	8	SPACER, .406 B .624 OD .515 T SS
19	730875	1	PIN, CLEVIS 1/2 X 2.50 ZP
20	730907	1	WELDMENT, PIN
21	730910	1	WELDMENT, SSB ARM
22	730923	1	SSB CYL MNT
23	730924	1	SSB MNT
24	730925	1	SSB ADJ TUBE
25	730926-1	4	SSB LINK
26	730957	2	WASHER, THRUST, 1.03 B 2.00 OD .063 T
27	730958	6	BOLT, M10-1.50 X 25 HH SS
28	REF.	-	FRAME
29	REF.	-	FRAME
30	REF.	-	SSB MOUNT

**GROUP (730036) - OPTION SIDE SCRUB BRUSH, INCLUDES SUB-GROUPS:  
730000, 730001, 730002, 730011, 730028, 730029**

OPTION - SIDE BRUSH SOLUTION CONTROL GROUP (730002)



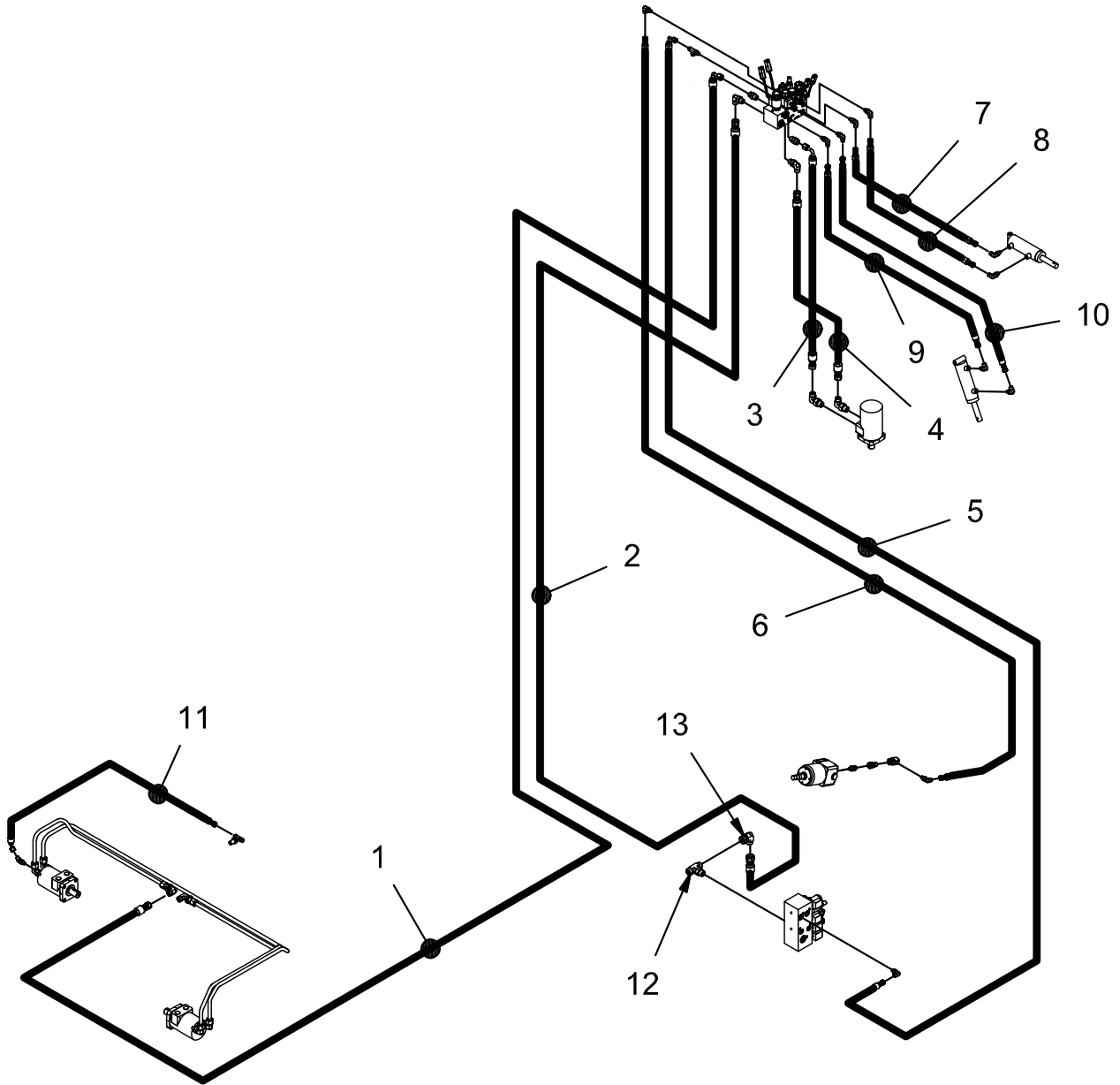
REV A

**OPTION - SIDE BRUSH SOLUTION CONTROL GROUP (730002)**

Parts List 730002			
ITEM	PART NUMBER	QTY	DESCRIPTION
1	3315534	1	FITTING, PLASTIC, STR, .50 NPT .50 BARB
2	3400385	4	WASHER, 3/8, BELLEVILLE
3	383465	1	FTG-NIPPLE 1/2 MPT X 1-1/8 LG BRASS
4	600933	2	NUT, M6-1.00 ESN SS
5	600936	4	NUT, M10-1.50 FLNG
6	730876	1	PIN, ROLLER
7	730877	2	RETAINING RING, EXT, .750
8	730878	4	BOLT, M10-1.50 X 30 HH SS
9	730915	1	ROLLER, SSB
10	730916	1	WELDMENT, SSB GUARD
11	730934	2	BOLT, M6-1.00 X 16 HH SS
12	730952	1	WELDMENT, SSB DOOR
13	730954	1	TUBING, .50 ID X .13 WALL BRAIDED VINYL
14	730956	1	VALVE, SOLENOID, 12V, ADJ
15	730960	1	SPACER PLT
16	730961	1	TUBING, .50 ID X .13 WALL BRAIDED VINYL
17	730962	4	CLAMP, WIRE HOSE
18	730966	2	FITTING, PVC TEE, FEMALE 1/2 NPT
19	730967	1	PAD, STEP
20	REF.	-	FILTER AND STD FITTING COMPONENTS-SEE SOUTION CONTROL GROUP
21	REF.	-	FRAME
22	REF.	-	FRAME
23	REF.	-	BRACKET, FILTER MNT
24	3315535	2	FTG-ELBOW 90 1/2 MPT X 1/2 HB PP
25	REF.	-	SSB MOUNT

**GROUP (730036) - OPTION SIDE SCRUB BRUSH, INCLUDES SUB-GROUPS:  
730000, 730001, 730002, 730011, 730028, 730029**

OPTION - SIDE BRUSH HYDRAULIC HOSE GROUP (730011)



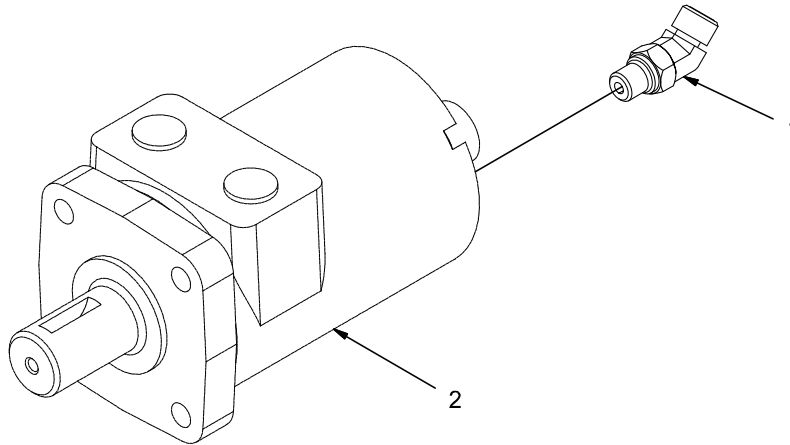
REV D

**OPTION - SIDE BRUSH HYDRAULIC HOSE GROUP (730011)**

Parts List 730011			
ITEM	PART NUMBER	QTY	DESCRIPTION
1	731079	1	HOSE, 8 STR - 8 90 MED (LH MB TO SSB VALVE P2)
2	731081	1	HOSE, 10 STR - 8 45 MED (VALVE T2 TO SSB VALVE T2)
3	731082	1	HOSE, 8 STR - 8 90 MED (SSB VALVE SB OUT TO SB R)
4	731083	1	HOSE, 8-STR - 8 STR MED (SSB VALVE SB IN TO SB F)
5	731084	1	HOSE, 4-STR - 4 STR MED (STR TEE TO SSB VALVE P1)
6	731085	1	HOSE, 4 STR - 4 90 MED (VALVE T1 TO SSB VALVE T1)
7	731087	1	HOSE, 4 STR - 4 STR MED (SSB VALVE SBE B TO EXT CYL R)
8	731088	1	HOSE, 4 STR - 4 STR MED (SSB VALVE SBL A TO LIFT CYL U)
9	731089	1	HOSE, 4 STR - 4 STR MED (SSB VALVE SBE A TO EXT CYL L)
10	731089	1	HOSE, 4 STR - 4 STR MED (SSB VALVE SBL B TO LIFT CYL L)
11	731168	1	HOSE, 4 STR - 4 45 MED (LH MB CASE TO SCRUB HEAD TEE)
12	675623	1	FTG - BRANCH TEE -10 ORFS TO -10 ORFS TO -10 SAE
13	675624	1	FTG - SWIVEL NUT ELBOW -10 ORFS TO -10 ORFS

**GROUP (730036) - OPTION SIDE SCRUB BRUSH, INCLUDES SUB-GROUPS:  
730000, 730001, 730002, 730011, 730028, 730029**

**OPTION - SIDE BRUSH SCRUB HEAD GROUP (730028)**



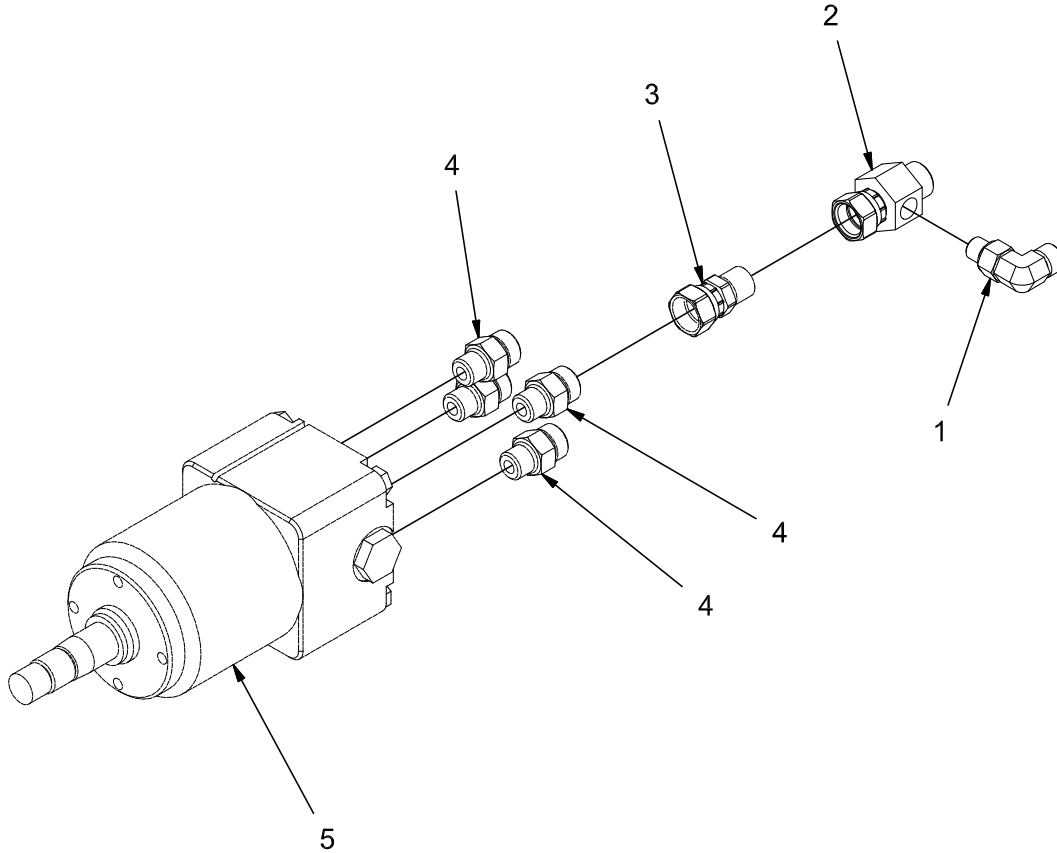
Parts List 730112			
ITEM	PART NUMBER	QTY	DESCRIPTION
1	675541	1	FITTING, 45, 4 ORFS - 4 SAE
2	REF.	-	LEFT SCRUB BRUSH MOTOR, 4.5 DISP

**GROUP (730036) - OPTION SIDE SCRUB BRUSH, INCLUDES SUB-GROUPS:  
730000, 730001, 730002, 730011, 730028, 730029**

**REV \***



**OPTION - SIDE BRUSH STEERING COLUMN GROUP (730029)**

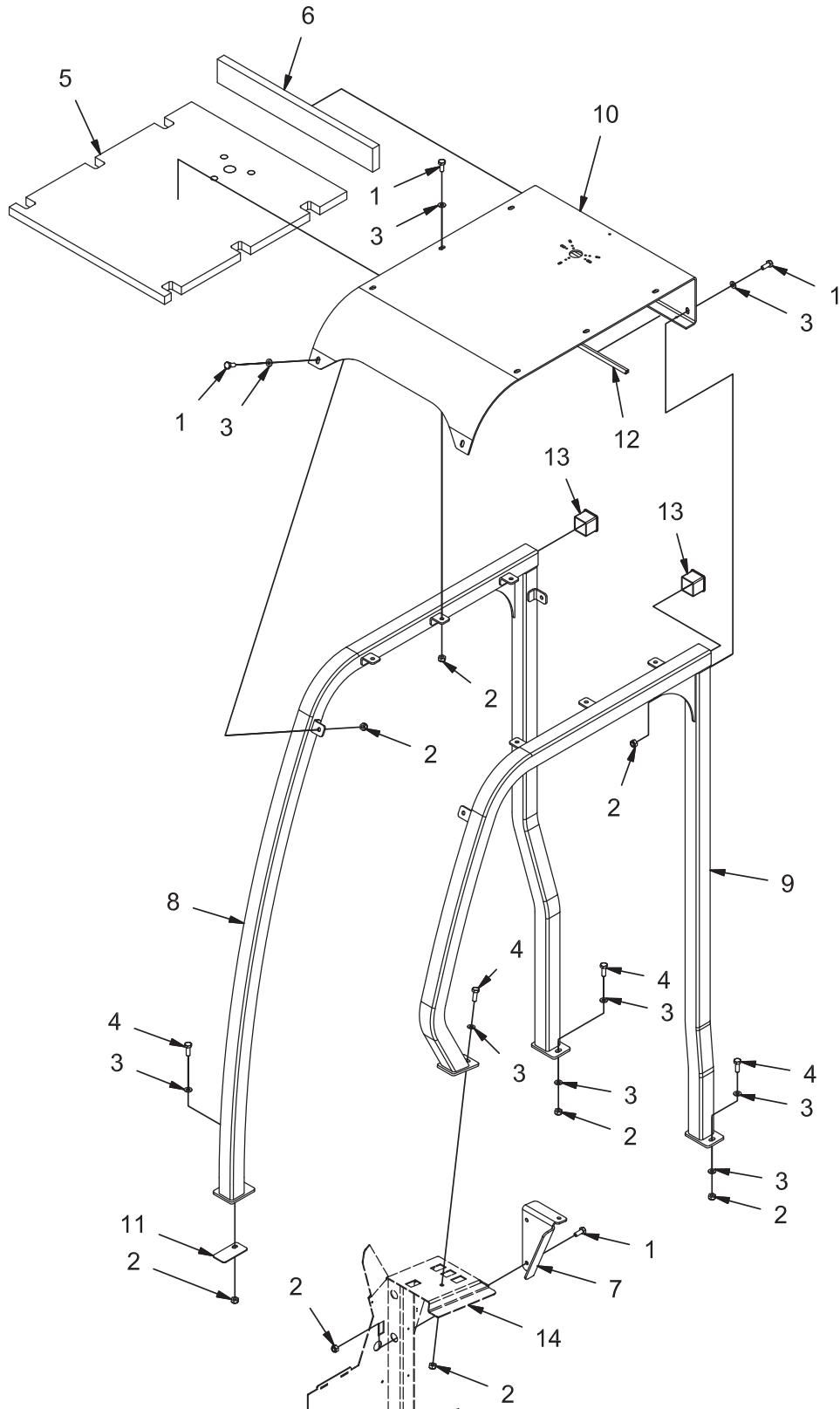


Parts List			
ITEM	PART NUMBER	QTY	DESCRIPTION
1	675507	1	FITTING, 90, -4 ORFS - 4 SAE
2	675604	1	FTG-TEE -6 ORFS TO -6 ORFS TO -4 SAE
3	REF.	-	FTG - .094 ORIFICE ADAPTER -6 ORFS TO -6 ORFS
4	REF.	-	FITTING, STR, 6 ORFS - 6 SAE
5	REF.	-	STEERING UNIT

**GROUP (730036) - OPTION SIDE SCRUB BRUSH, INCLUDES SUB-GROUPS:  
730000, 730001, 730002, 730011, 730028, 730029**

**REV \***

OPTION - OVERHEAD GUARD GROUP (730003)

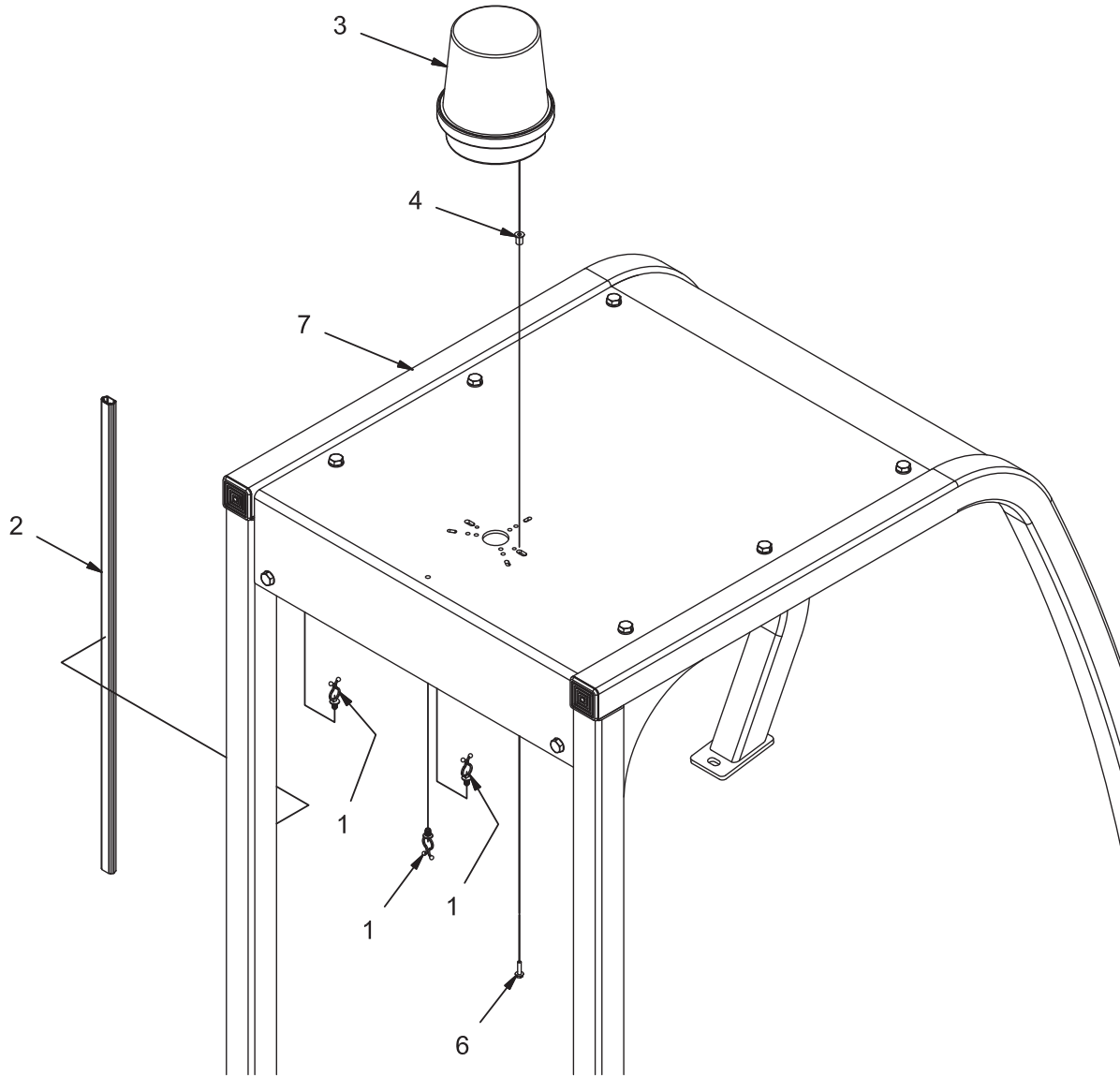


REV B

**OPTION - OVERHEAD GUARD GROUP (730003)**

Parts List - 730003			
ITEM	PART NUMBER	QTY	DESCRIPTION
1	11038346	12	BOLT, M10-1.50 X 25 HH
2	12040069	16	NUT, M10-1.50 ESN
3	12310058	16	WASHER, M10
4	3401051	4	BOLT, M10-1.50 X 30 HH
5	730388	1	INSULATION, SOUND, OHG TOP
6	730389	1	INSULATION, SOUND, OHG BACK
7	730697	1	BRACKET, OHG
8	731012	1	WELDMENT, OHG, RH SIDE
9	731020	1	WELDMENT, OHG, LH SIDE
10	731024	1	OHG, TOP PLT
11	731026	1	PLATE, SPACER
12	731027	1	EDGING, 3/16 X 23.62"
13	731028	2	PLUG, TUBING
14	REF.	-	CONSOLE

OPTION - LIGHT GROUP ON OVERHEAD GUARD (730189)

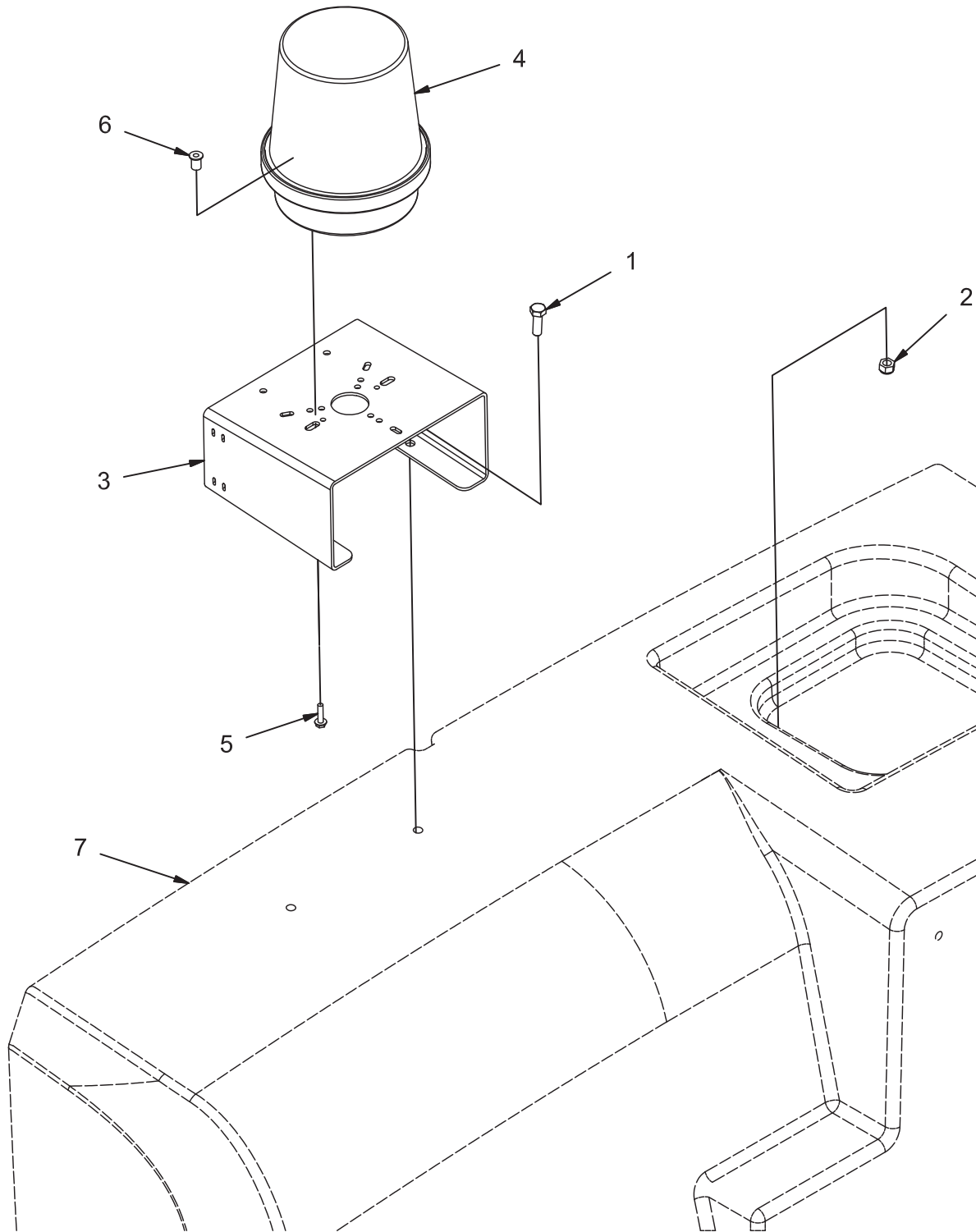


REV A

**OPTION - LIGHT GROUP ON OVERHEAD GUARD (730189)**

Parts List - 730189			
ITEM	PART NUMBER	QTY	DESCRIPTION
1	600581	3	CLAMP, WIRE CLIP
2	731029	1	WIRE CHANNEL
3	620073-1	1	ASSEMBLY, AMBER LED LIGHT
4	3400172	3	NUT-JAM 10-32 ZP NYLOC
6	3400044	3	SCREW
7	REF.	-	OVERHEAD GUARD
	748459	1	HARNESS, SAFETY LIGHT, OHG

OPTION - LIGHT GROUP ON SOLUTION TANK (730189-4)

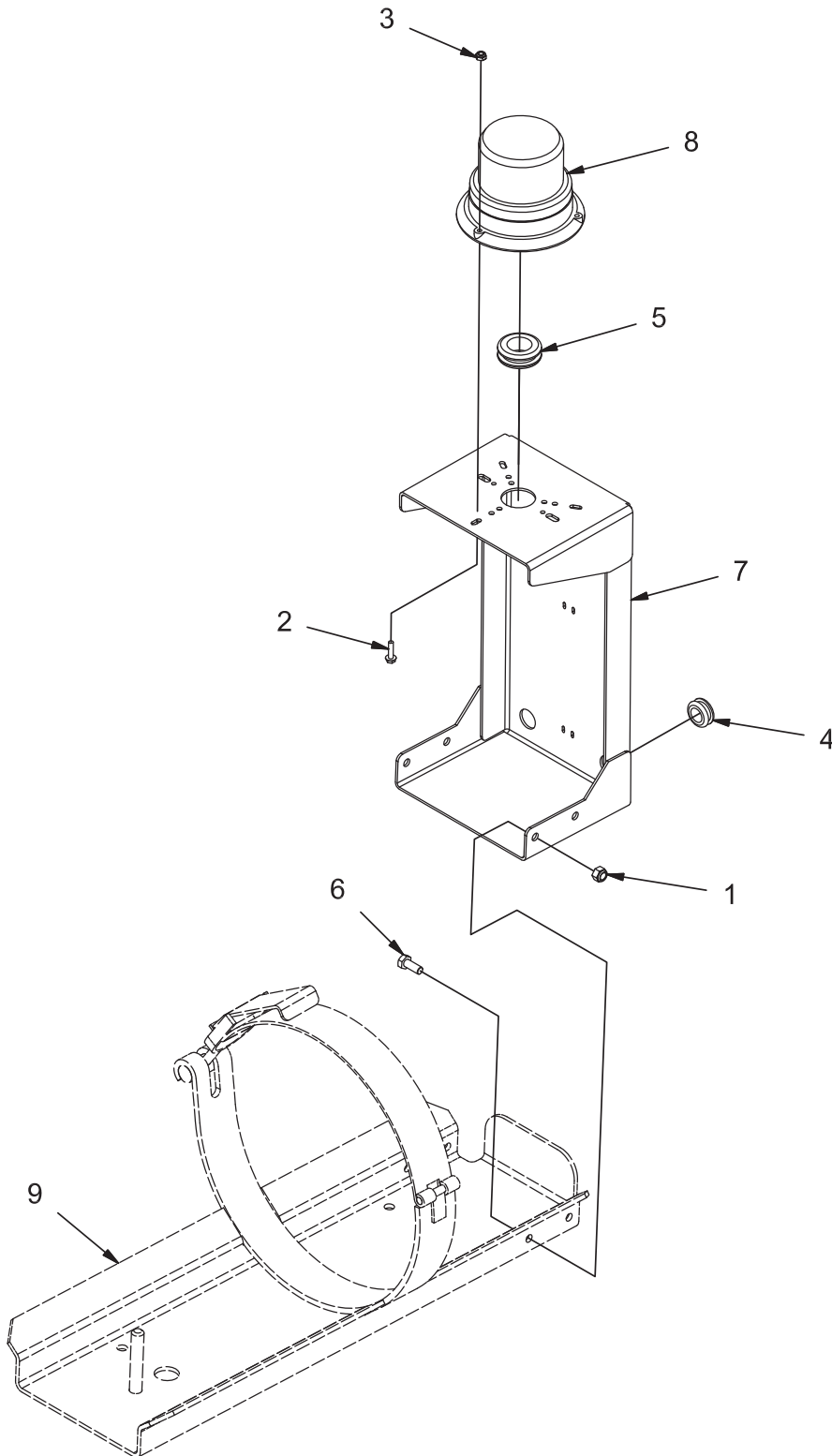


REV A

**OPTION - LIGHT GROUP ON SOLUTION TANK (730189-4)**

Parts List 730189-4			
ITEM	PART NUMBER	QTY	DESCRIPTION
1	11039567	2	BOLT, M8-1.25 X 25 HH SS
2	12040259	2	NUT, M8-1.25 ESN SS
3	731030	1	MOUNT, SAFETY LIGHTS
4	620073-1	1	LIGHT ASSY, LED BEACON
5	3400044	2	SCREW
6	3400172	2	NUT, EXPANSION
7	REF.	-	SOLUTION TANK
	748980	1	HARNESS, SAFETY LIGHT & BACKUP ALARM (NOT SHOWN)

**OPTION - LIGHT GROUP WHEN CHEMICAL METERING AND  
RESERVE LPG TANK INSTALLED (730189-5)**



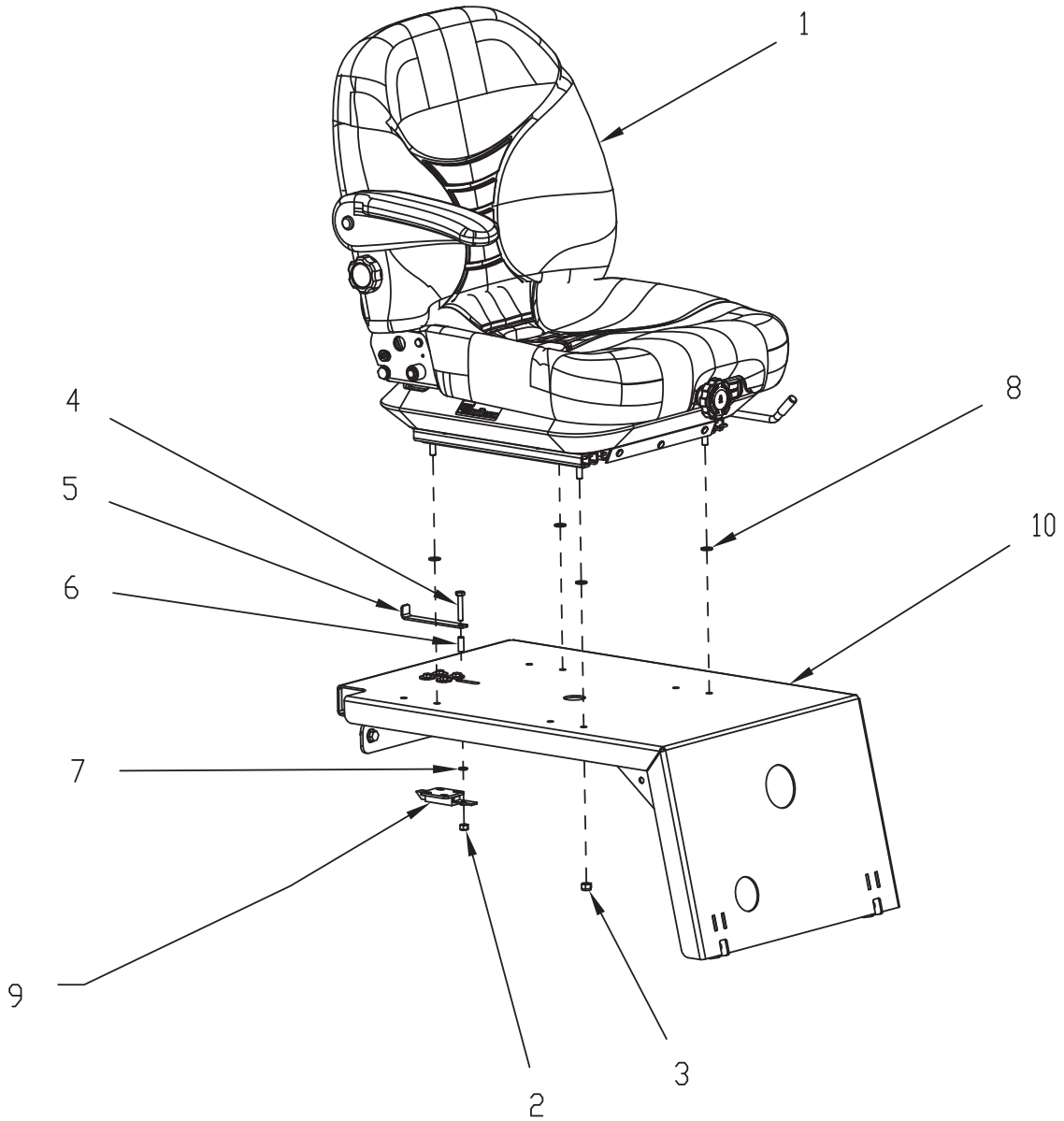
REV A



**OPTION - LIGHT GROUP WHEN CHEMICAL METERING AND  
RESERVE LPG TANK INSTALLED (730189-5)**

Parts List 730189-5			
ITEM	PART NUMBER	QTY	DESCRIPTION
1	12040051	4	NUT, M8-1.25 ESN
2	3400044	3	SCR-HEX, #10-32 X .75 ZP
3	3400172	3	NUT, 10-32 ESN
4	600151	1	GROMMET, .63 ID .88 OD .25 T
5	620160	1	GROMMET, 1.00 ID .1.375 OD .25 T
6	717024	4	BOLT, M8-1.25 X 20 HH
7	731115-1	1	WELDMENT, SAFETY LIGHT MNT
8	620073-1	1	LIGHT ASSY, LED BEACON
9	REF.	-	OPTIONAL RESERVE LPG MOUNT 730160
-	748980	1	WIRING HARNESS, RESERVE LPG MNT

OPTION - SUSPENSION SEAT GROUP (730007)

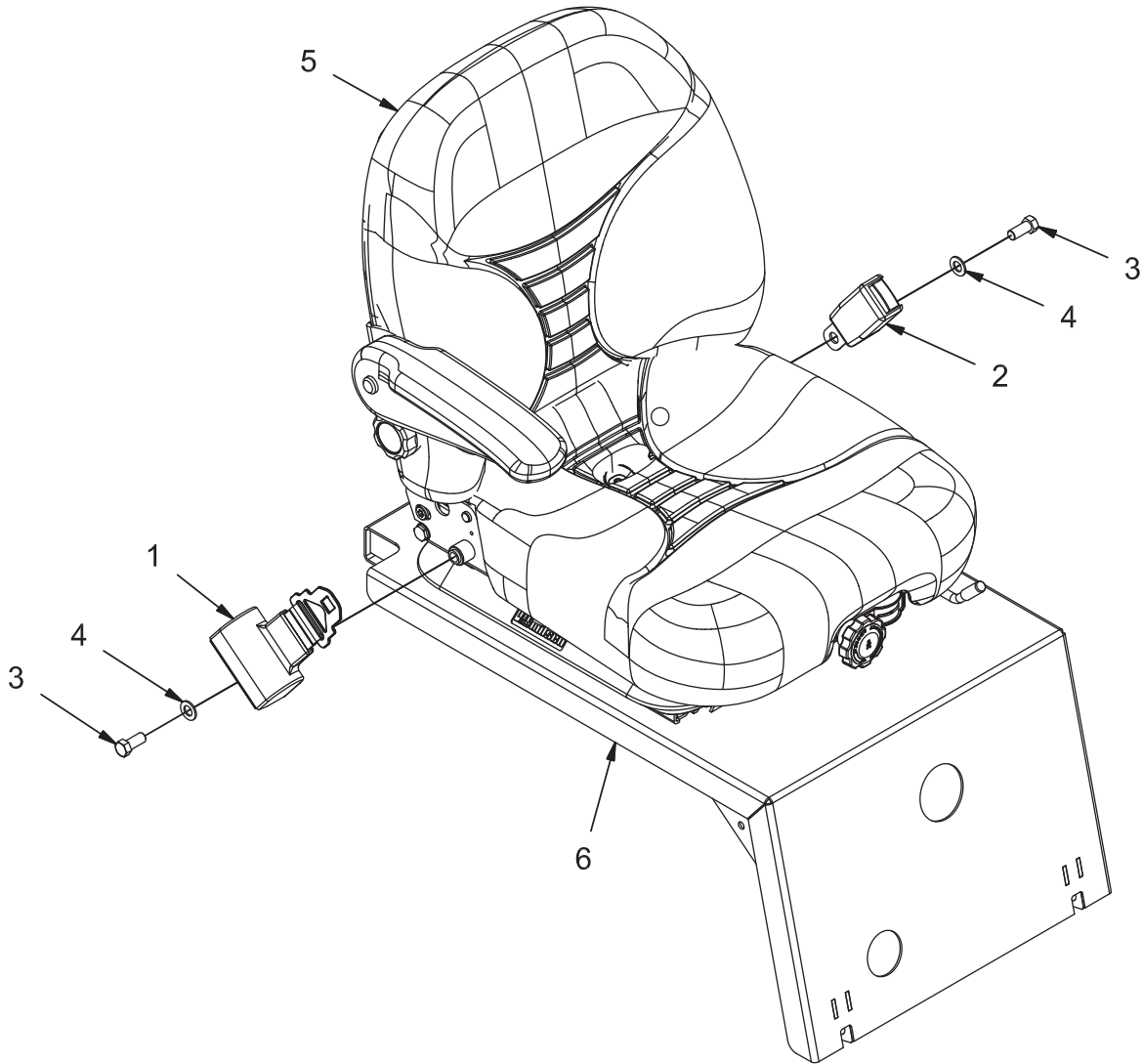


REV B

**OPTION - SUSPENSION SEAT GROUP (730007)**

Parts List - 730007			
ITEM	PART NUMBER	QTY	DESCRIPTION
1	620191	1	SEAT, SUSPENSION
2	711373	1	NUT, HEX 1/4-20 ZINC PL
3	711374	4	NUT, FIBER INSERT 5/16-18
4	713005	1	SCR-HH 1/4-20 X 1.50 ZP GR 5
5	731262	1	RELEASE, LATCH
6	731263	1	SPACER, .266 B, .313 OD, .813 T
7	12310033	1	WASHER-FLAT M6.4 X 12 X 1.6 ZP
8	12310041	4	WASHER, M8
9	REF.		SLIDE LATCH
10	REF.	-	SEAT MOUNT

OPTION - SEAT BELT (FOR SUSPENSION SEAT) GROUP (730009)

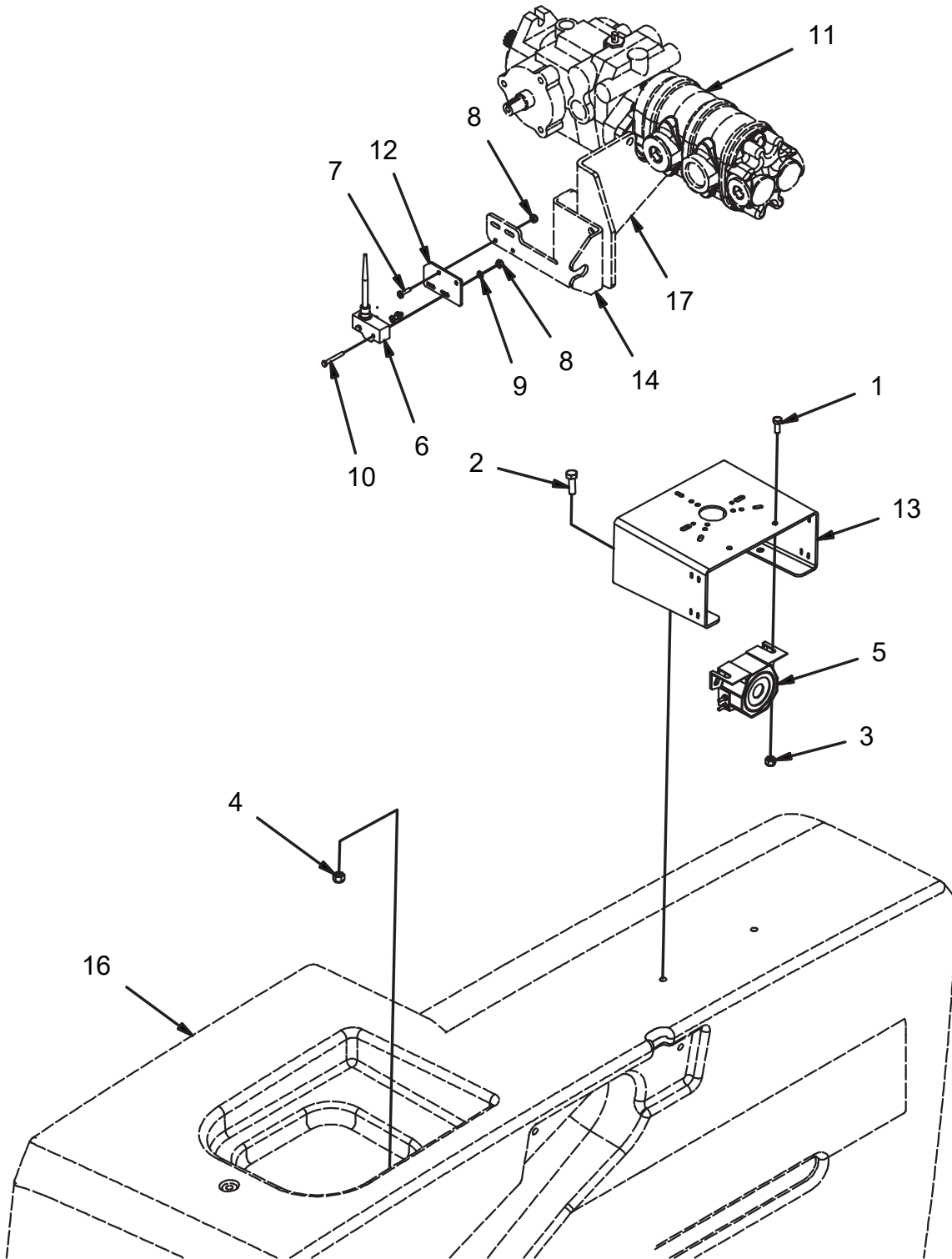


REV A

**OPTION - SEAT BELT (FOR SUSPENSION SEAT) GROUP (730009)**

Parts List - 730009			
ITEM	PART NUMBER	QTY	DESCRIPTION
1	PART OF 620192	1	SEAT BELT RETRACTOR
2	PART OF 620192	1	SEAT BELT RECEIVER
3	PART OF 620192	2	BOLT, 7/16-20 x 1.00
4	PART OF 620192	2	7/16 FLAT WASHER
-	620192	1	KIT, SEAT BELT
5	REF.	-	SEAT, SUSPENSION
6	REF.	-	SEAT MOUNT

OPTION - BACKUP ALARM GROUP (730008)

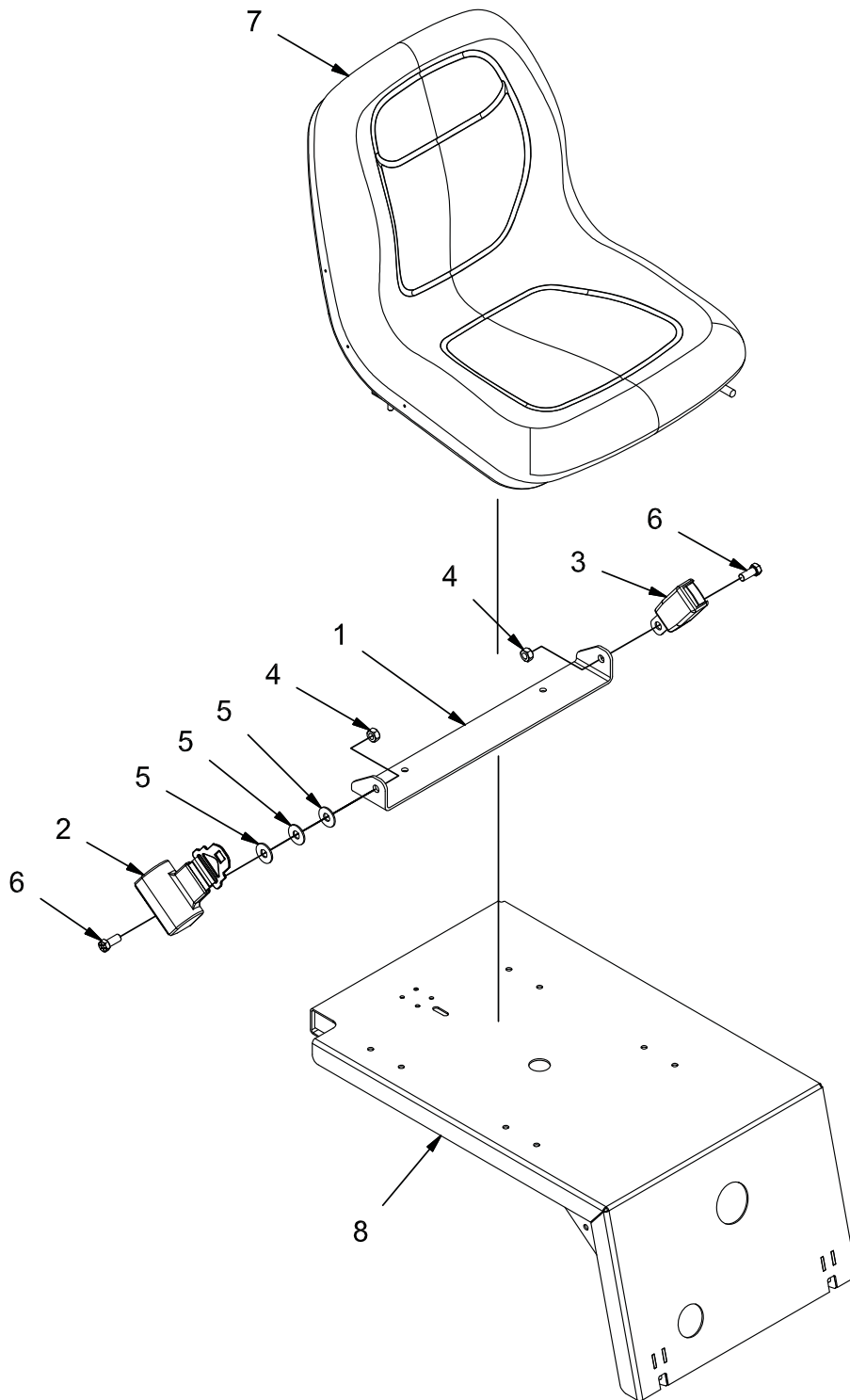


REV C

**OPTION - BACKUP ALARM GROUP (730008)**

Parts List 730008			
ITEM	PART NUMBER	QTY	DESCRIPTION
1	11038072	2	BOLT, M6-1.00 X 16 HH
2	11039567	2	BOLT, M8-1.25 X 25 HH SS
3	12040044	2	NUT, M6-1.00 ESN
4	12040259	2	NUT, M8-1.25 ESN SS
5	3303002	1	ALARM, BACKUP
6	3342546-1	1	HARNESS, SWITCH, WHISKER
7	3400045	2	SCREW, #8-32 X .625 PAN HD ZP
8	3400082	4	NUT, FIBER INSERT #8-32
9	3400096	2	FLATWASHER, #8
10	620136	2	BOLT, #8-32 X 1.25 HH ZP
11	REF.	1	PUMP, AUX
12	731002	1	MOUNT, REVERSE SWITCH
13	731030	1	MOUNT, SAFETY LIGHTS
14	REF.	-	ADJUSTER, HYDROBACK W/SW MNT
15	REF.	-	PUMP ASSEMBLY
16	REF.	-	SOLUTION TANK
17	REF.	-	HYDROBACK MOUNT
	748980	1	HARNESS, SAFETY LT & BACKUP ALARM
	748719	1	HARNESS ASSEMBLY, BACK UP ALARM

OPTION - SEAT BELT (FOR STANDARD SEAT) GROUP (730010)



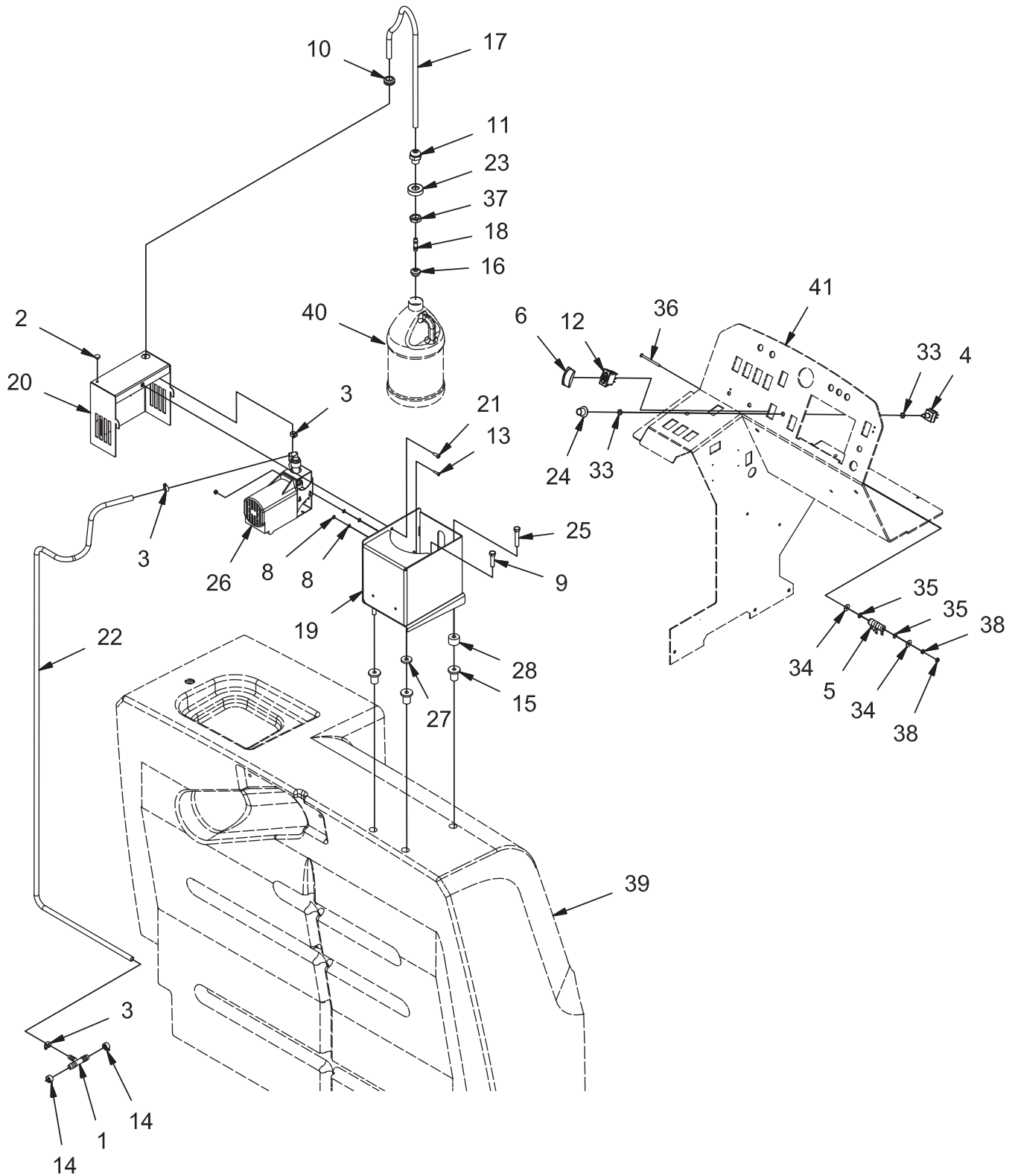
REV \*



**OPTION - SEAT BELT (FOR STANDARD SEAT) GROUP (730010)**

Parts List - 730010			
ITEM	PART NUMBER	QTY	DESCRIPTION
1	620222	1	BRACKET, SEAT BELT
2	PART OF 620192	1	SEAT BELT RETRACTOR
3	PART OF 620192	1	SEAT BELT RECEIVER
4	PART OF 620192	2	NUT, 7/16-20
5	PART OF 620192	3	WASHER
6	PART OF 620192	2	BOLT, 7/16-20
-	620192	1	KIT, SEAT BELT
7	REF.	-	SEAT
8	REF.	-	WELDMENT, SEAT MNT

OPTION - CHEMICAL METERING GROUP (730015)

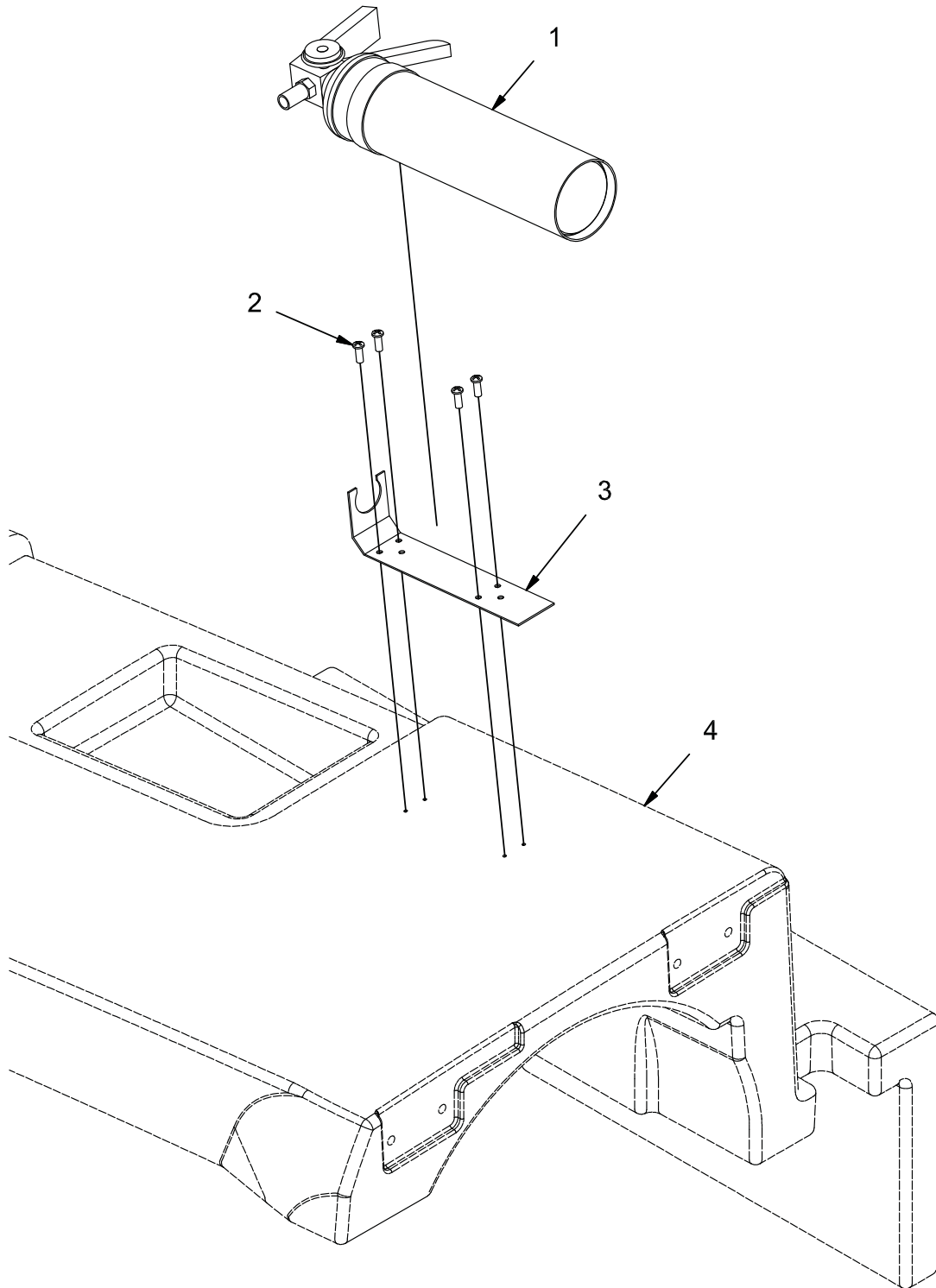


REV F

**OPTION - CHEMICAL METERING GROUP (730015)**

Parts List 730015			
ITEM	PART NUMBER	QTY	DESCRIPTION
1	172400	1	FITTING, TEE, .38 X .50 X .50 POLY
2	3300526	1	BUMPER, .25 ID .125 T
3	3302338	3	CLAMP, HOSE, .50
4	3303072	1	SWITCH, ROTARY, 4-WAY
5	3323992	1	RESISTOR
6	3344038	1	SWITCH COVER, BLACK
7	3400082	2	NUT, FIBER INSERT #8-32
8	3400096	4	FLATWASHER, #8
9	3400455	2	SCREW, 3/8-16 X 1.50 HH SS
10	600151	1	GROMMET, .63 ID .88 OD .25 T
11	600482	1	STRAIN RELIEF
12	620137	1	SWITCH BODY, DPST W/GREEN LAMP
13	710230	2	SCREW, #8-32 X .62 PAN HD
14	730962	2	CLAMP, WIRE HOSE
15	730991	3	NUT, RUBBER EXPANSION
16	731105	1	STAINER, SUCTION, 40 MESH
17	731106	1	TUBING, .375 ID X .06 WALL VINYL
18	731107	1	FITTING, .38 HOSE BARB COUPLING, NYLON
19	731111	1	WELDMENT, CHEMICAL PUMP MNT
20	731114-1	1	ASSEMBLY, PUMP COVER
21	731116	1	SCREW, M6-1.00 X 16 BUTTON HD CAP ZP
22	731117	1	TUBING, .375 ID X .06 WALL VINYL
23	PART OF 731120	1	CAP, CHEMICAL CONTAINER
24	731187	1	KNOB
25	731213	1	BOLT, 3/8-16 X 2.00 HH SS
26	731350	1	ASSEMBLY, METERING PUMP
27	731385	1	SPACER, .406 B 1.125 OD .188 T
28	731386	1	SPACER, .406 B 1.125 OD .750 T
29	748461	1	HARNESS ASSY, SPRAY PUMP
30	748462	1	HARNESS ASSY, SPRAY PUMP
31	748463	1	HARNESS ASSY, SPRAY PUMP
32	748464	1	WIRE ASSY
33	PART OF 3303072	2	NUT
34	PART OF 3323983	2	FLAT WASHER, .31
35	PART OF 3323983	2	WASHER, RIDGE
36	PART OF 3323983	1	SCREW, #10-32 X 2.63
37	PART OF 600482	1	NUT, PLASTIC
38	PART OF 3323983	2	NUT, #19-32
39	REF.	-	SOLUTION TANK
40	731120	-	CHEMICAL CONTAINER
41	REF.	-	CONSOLE

OPTION - FIRE EXTINGUISHER GROUP (730016)

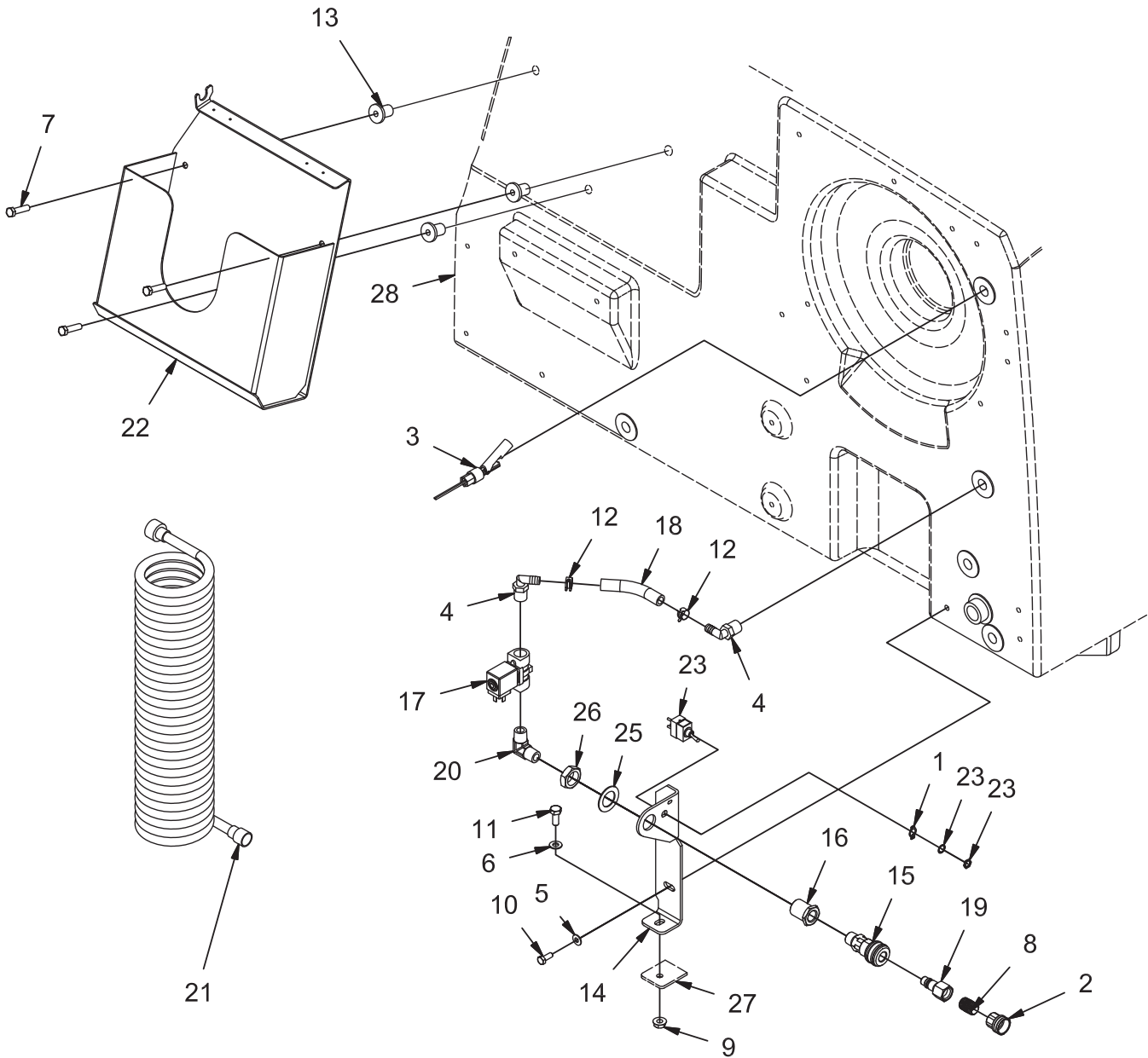


REV \*

**OPTION - FIRE EXTINGUISHER GROUP (730016)**

Parts List 730016			
ITEM	PART NUMBER	QTY	DESCRIPTION
1	3302769	1	FIRE EXTINGUISHER
2	731099	4	SCREW, M6 X 16 PAN HD ZP FOR PLASTIC
3	PART OF 3302769	1	MOUNT, EXTINGUISHER
4	REF.	-	TOP COVER

OPTION - AUTO FILL GROUP (730017)

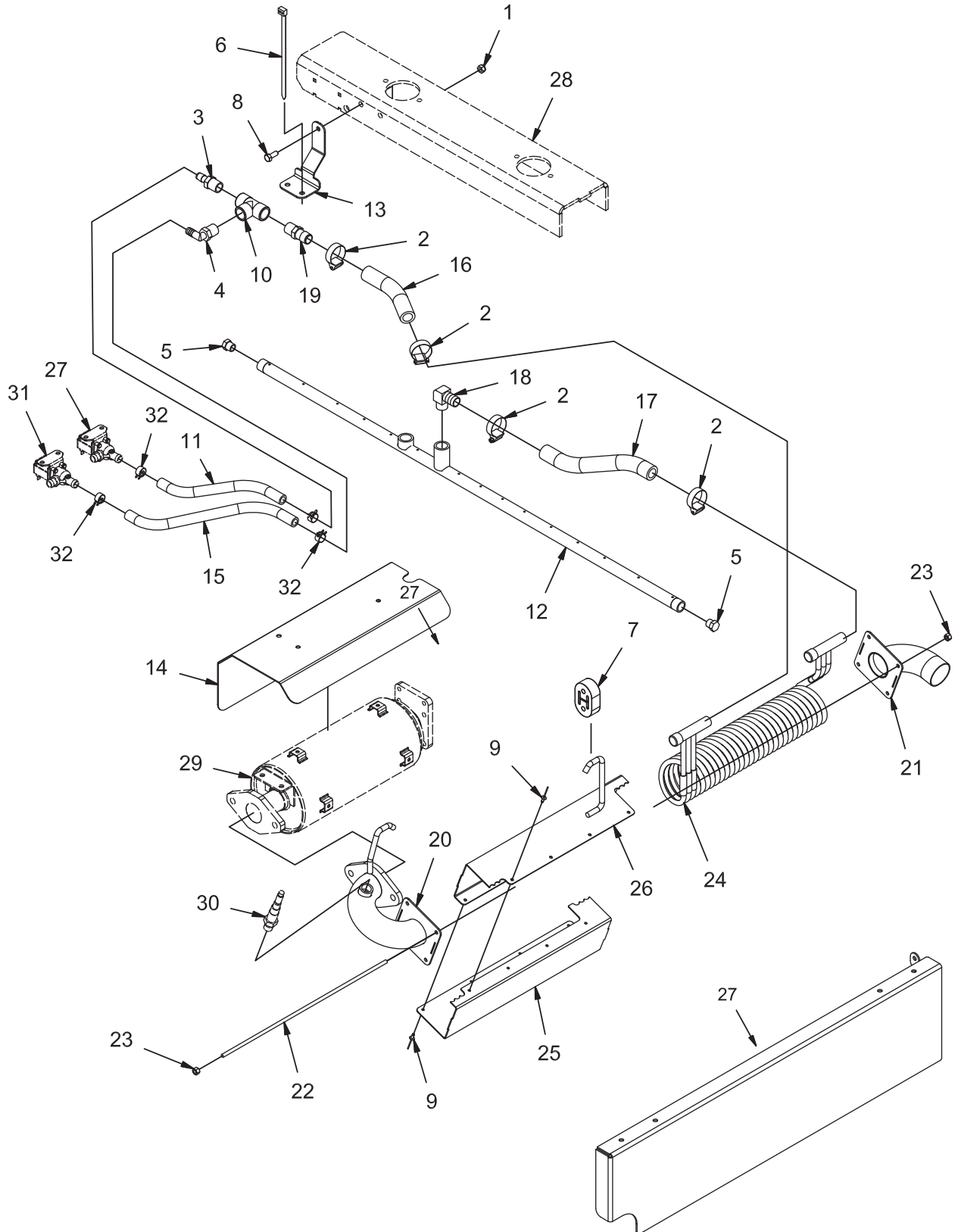


REV D

**OPTION - AUTO FILL GROUP (730017)**

Parts List 730017			
ITEM	PART NUMBER	QTY	DESCRIPTION
1	101020	1	INDICATOR PLATE
2	121109	1	SWIVEL-3/4" FGH X 1/2" BRASS
3	3302737-1	1	WIRE ASSY, SWITCH, FLOAT
4	3315535	2	FITTING, PLASTIC, 90, .50 NPT .50 BARB
5	3400384	1	WASHER, 5/16 BELLEVILLE
6	3400385	1	WASHER, 3/8, BELLEVILLE
7	3400455	3	SCREW, 3/8-16 X 1.50 HH SS
8	383465	1	FTG-NIPPLE 1/2 MPT X 1-1/8 LG BRASS
9	600936	1	NUT, M10-1.50 FLNG
10	717030	1	BOLT, M8-1.25 X 20 HH SS
11	730958	1	BOLT, M10-1.50 X 25 HH SS
12	730962	2	CLAMP, WIRE HOSE
13	730991	3	NUT, RUBBER EXPANSION
14	731042	1	BRACKET, AUTO FILL
15	731043	1	COUPLER, QUICK DISCONNECT
16	731044	1	FITTING, BULKHEAD COUPLING
17	731045	1	VALVE, SOLENOID WATER
18	731046	1	TUBING, .50 ID, VINYL
19	731048	1	FITTING, QUICK DISCONNECT NIPPLE
20	731049	1	FITTING, ELBOW
21	731383	1	HOSE, COIL, .38 ID X 50 FT
22	731437	1	WELDMENT, HOSE BOX
23	747693-1	1	SWITCH ASM, TOGGLE, SPDT
24	748989	1	HARNESS, AUTO FILL
25	PART OF 731044	1	WASHER
26	PART OF 731044	1	NUT
27	REF.	-	FRAME
28	REF.	-	SOLUTION TANK

OPTION - HEATED SOLUTION GROUP, LP (730057)



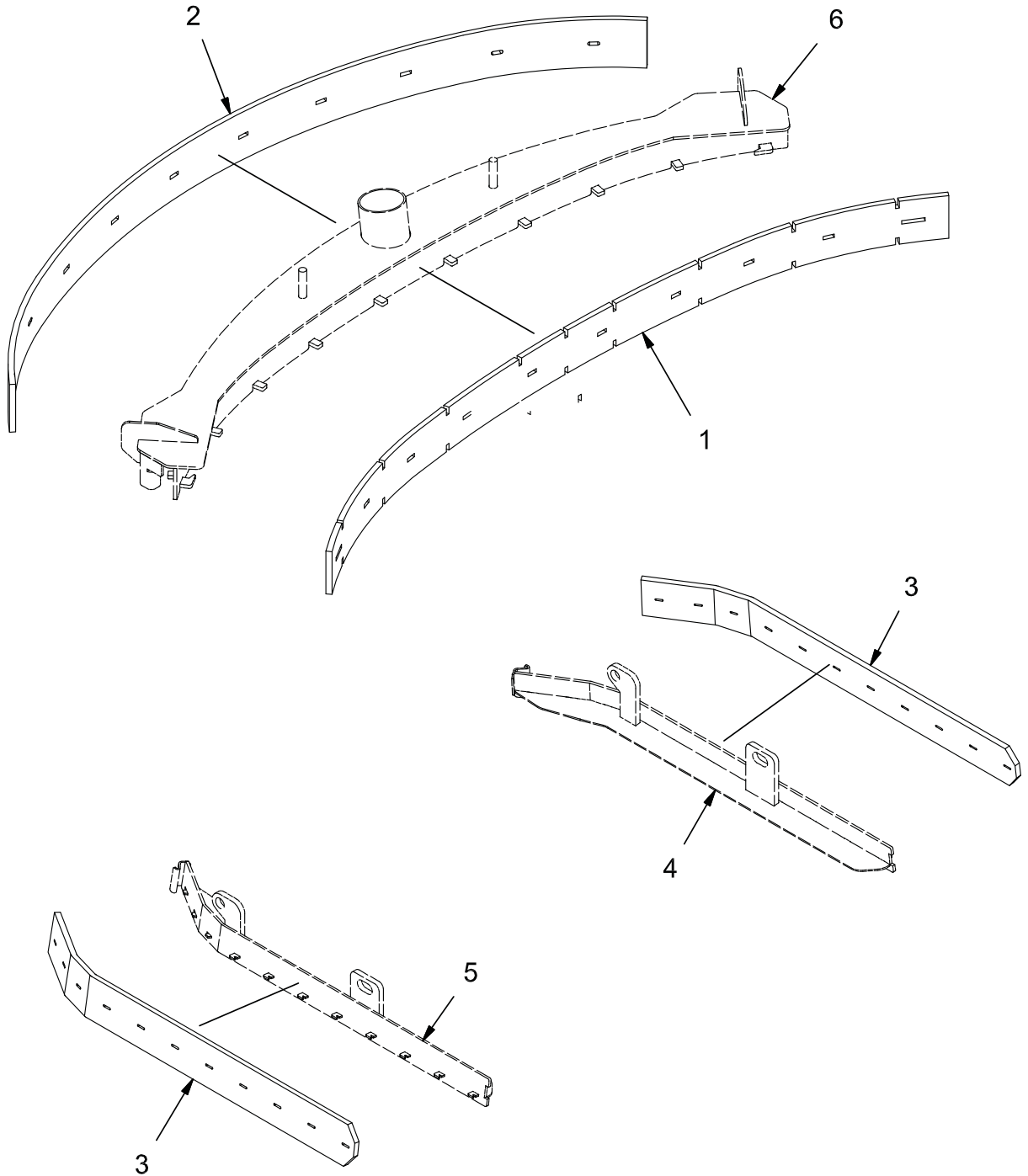
REV B



**OPTION - HEATED SOLUTION GROUP, LP (730057)**

Parts List			
ITEM	PART NUMBER	QTY	DESCRIPTION
1	12040259	1	NUT, M8-1.25 ESN SS
2	3300535	4	CLAMP - SCREW .5" to 1.25" DIA 201SS
3	3315534	1	FITTING, PLASTIC, STR, .50 NPT .50 BARB
4	3315535	1	FITTING, PLASTIC, 90, .50 NPT .50 BARB
5	3400194	2	PIPE PLUG, BRASS, 3/8
6	620037	3	NYLON CABLE TIE
7	620205	1	EXHAUST ISOLATOR
8	717030	1	BOLT, M8-1.25 X 20 HH SS
9	730654	8	RIVET,BLIND, .156 D X .062 - .125 GRIP SS
10	730966	1	FITTING, PVC TEE, FEMALE 1/2 NPT
11	730971	1	TUBING, .50 ID X 18.50 VINYL
12	731523	1	WELDMENT, SOLUTION DELIVERY TUBE, SS
13	731546	1	BRACKET, TEE MNT
14	731547	1	HEAT SHIELD, HEATED SOLUTION
15	731548	1	TUBING, .50 ID X 24.00 VINYL
16	731549	1	TUBING, 3/4 ID X 31.00 REINFORCED SILICON
17	731550	1	TUBING, 3/4 ID X 33.00 REINFORCED SILICON
18	731551	1	FTG, ELBOW, 1/2 NPT TO 3/4 BARB, BRASS
19	731554	1	FTG, STR, 1/2 NPT TO 3/4 BARB, PLASTIC
20	731657	1	WELDMENT, EXHAUST STUB
21	731658	1	WELDMENT, TAILPIPE
22	731664	4	ROD, TIE
23	731666	8	NUT, 1/4-20 HEX SS TOP LOCK
24	731669	1	WELDMENT, HEAT EXCHANGER
25	731670	1	CHANNEL, LH COVER
26	731672	1	WELDMENT, HE COVER
27	731640	1	WELDMENT, LH BRUSH DOOR HS
28	REF.	-	FRAME
29	REF.	-	CATALYTIC CONVERTER
30	REF.	-	O2 SENSOR
31	REF.	-	SOLUTION SOLENOID VALVES
32	REF.	-	WIRE HOSE CLAMPS

OPTION - URETHANE SQUEEGEE BLADE GROUP (730024)

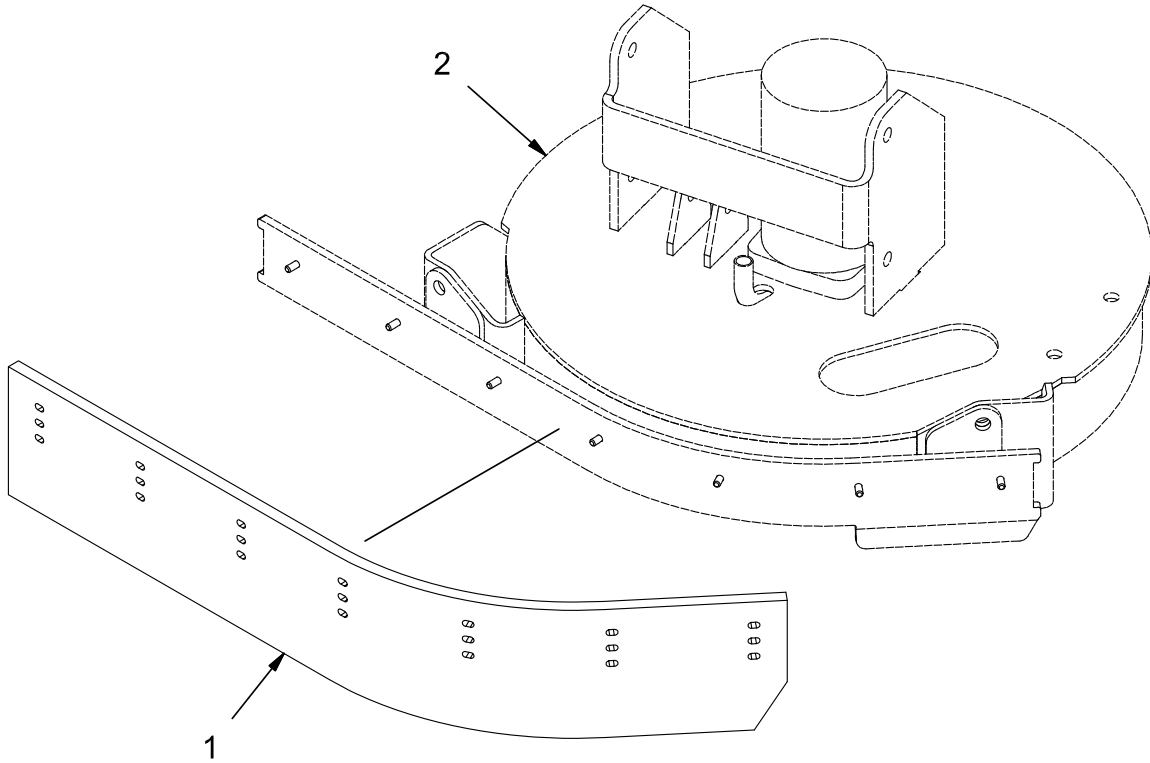


REV \*

**OPTION - URETHANE SQUEEGEE BLADE GROUP (730024)**

Parts List 730024			
ITEM	PART NUMBER	QTY	DESCRIPTION
1	731101	1	SQUEEGEE BLADE, FRONT, URETHANE
2	731102	1	SQUEEGEE BLADE, REAR, URETHANE
3	731103	2	SQUEEGEE, SIDE, URETHANE
4	REF.	-	LH SQUEEGEE MOUNT
5	REF.	-	RH SQUEEGEE MOUNT
6	REF.	-	SQUEEGEE WELDMENT

OPTION - URETHANE SIDE BRUSH SQUEEGEE GROUP (730025)

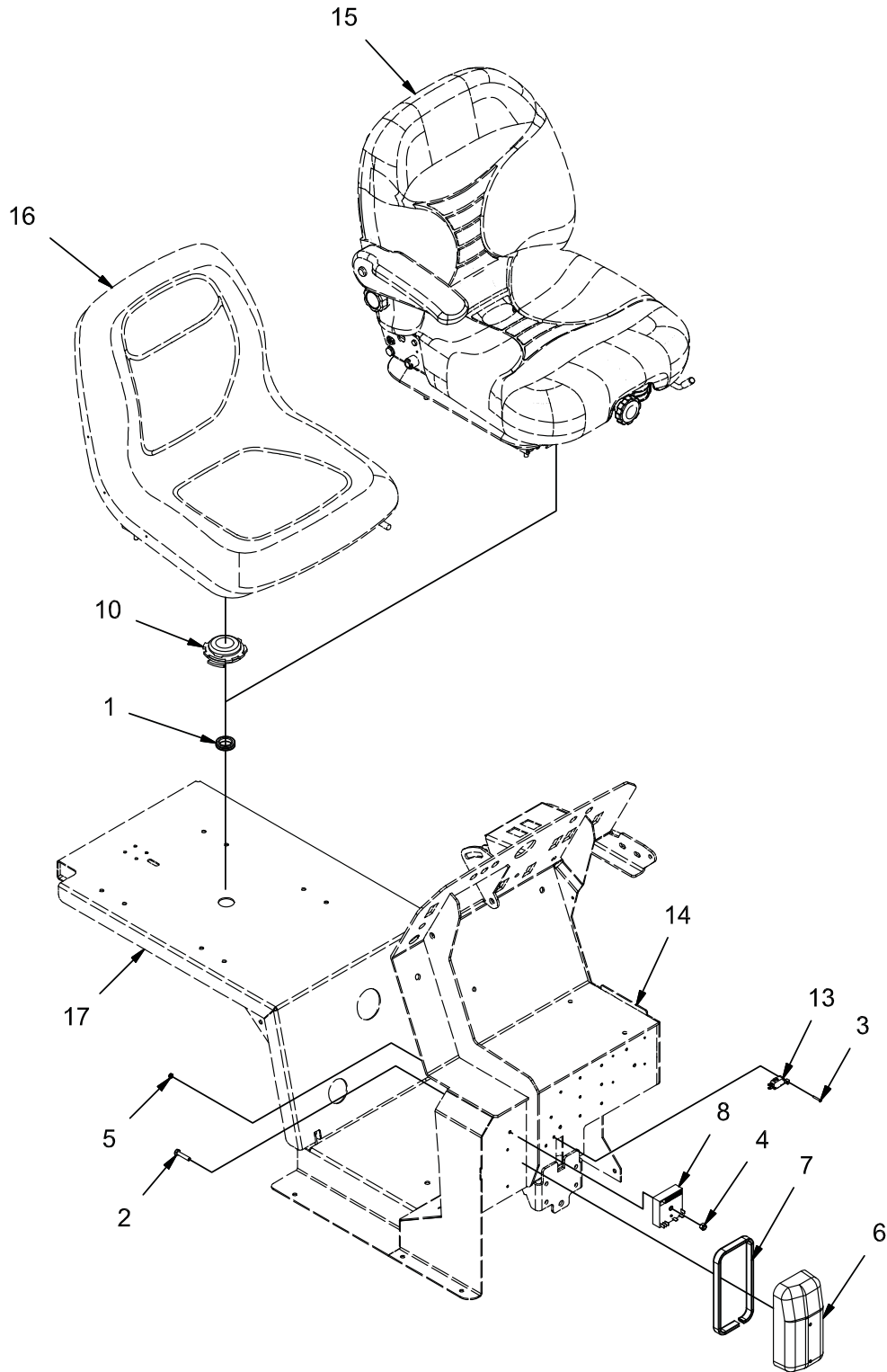


REV \*

**OPTION - URETHANE SIDE BRUSH SQUEEGEE GROUP (730025)**

Parts List 730025			
ITEM	PART NUMBER	QTY	DESCRIPTION
1	731104	1	SSB SQUEEGEE BLADE, URETHANE
2	REF.	-	SSB MOUNT

OPTION - SEAT SWITCH (730031)

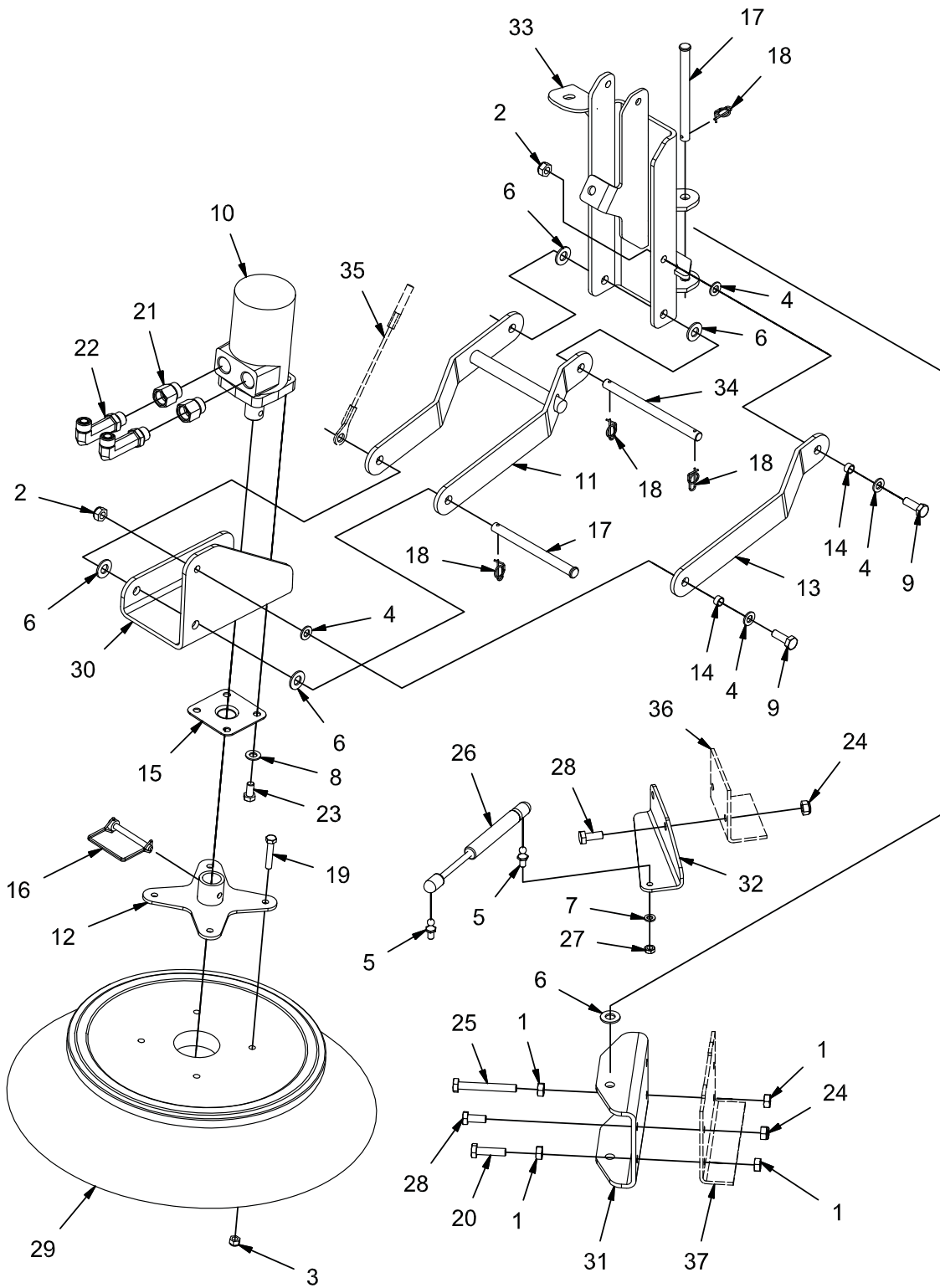


REV A

**OPTION - SEAT SWITCH (730031)**

Parts List 730031			
ITEM	PART NUMBER	QTY	DESCRIPTION
-	748456	1	HARNESS, SWITCH BYPASS
-	748444	1	STD SEAT SWITCH HARNESS
1	220327	1	GROMMET. 1.25 X 1.00 X .125
2	3400227	1	SCREW, 1/4-20 X 1.25 HH ZP
3	710493	2	SCR-MC RND HD 4-40 X .75 ZP
4	711373	1	NUT, FIBER INSERT 1/4-20
5	712348	2	NUT, HEX 4-40 NYLON LOCK, ZP
6	731275	1	COVER, TIMER/CONTROLLER
7	731276	1	SEAL, CONTROLLER
8	748430	1	TIMER
10	748445	1	SWITCH - N/O TWIST LOCK (USED WITH STANDARD SEAT ONLY)
12	748999	1	SEAT SWITCH HARNESS
13	90636234	1	MICRO-SWITCH
14	REF.	-	CONSOLE
15	REF.	-	OPTIONAL SUSPENSION SEAT
16	REF.	-	STANDARD SEAT
17	REF.	-	SEAT MNT

OPTION - SIDE BROOM GROUP (730032)



REV \*

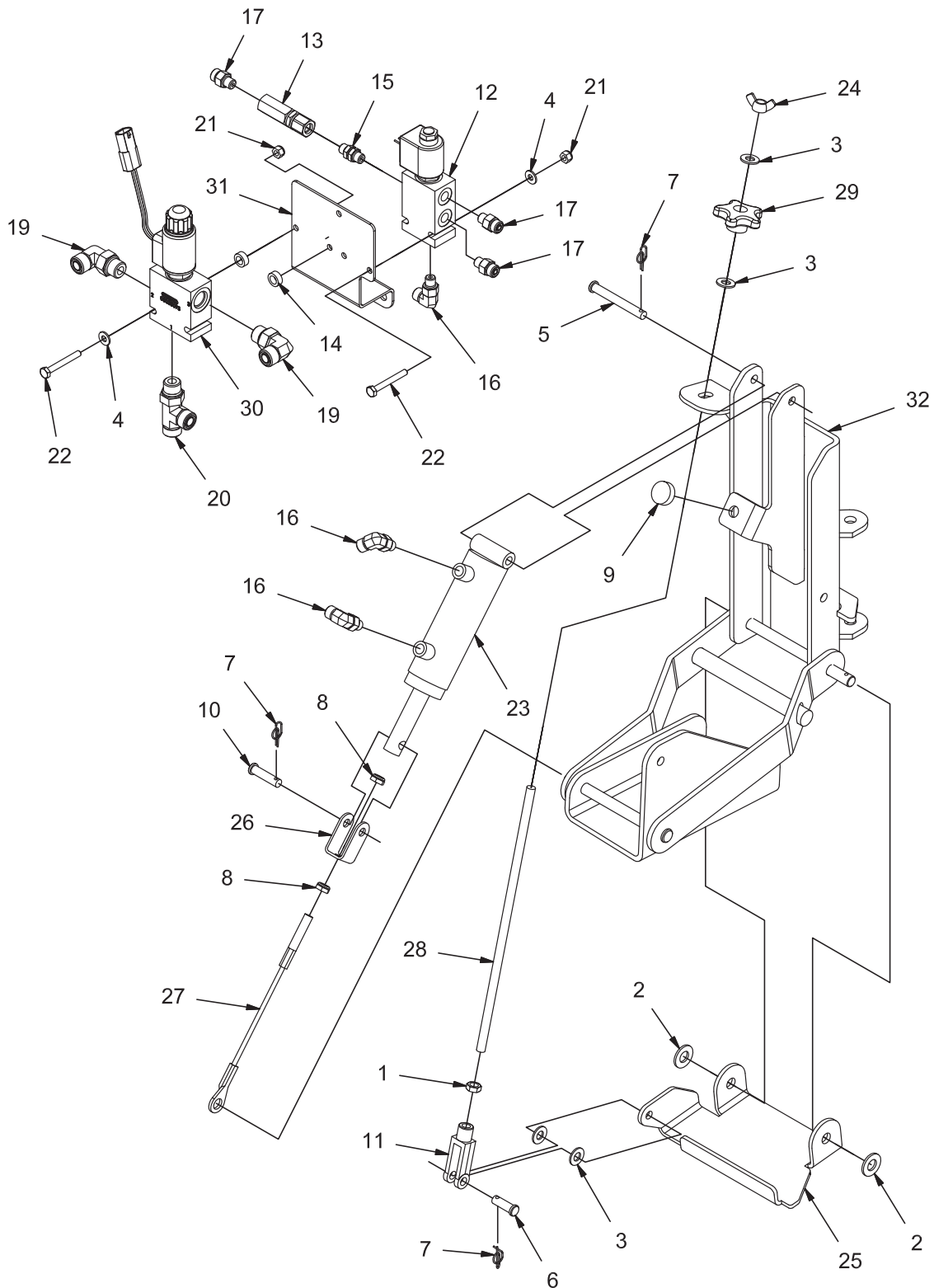


**OPTION - SIDE BROOM GROUP (730032)**

Parts List 730032			
ITEM	PART NUMBER	QTY	DESCRIPTION
1	12022067	4	NUT, M10-1.50 HEX
2	12040069	2	NUT, M10-1.50 ESN
3	12040259	4	NUT, M8-1.25 ESN SS
4	12310058	4	WASHER, M10
5	3300376	2	STUD, 10MM BALL
6	3400086	5	WASHER, 1/2, 1.063 X .531 X .094
7	3400102	2	LOCK WASHER, 5/16 HS MED
8	3400385	4	WASHER, 3/8, BELLEVILLE
9	3401051	2	BOLT, M10-1.50 X 30 HH
10	600217	1	MOTOR, 17.9 DISP
11	600303	1	WELDMENT, SB TRAILING ARM
12	600322	1	WELDMENT, SB FLANGE
13	600325	1	SB LINK
14	600327	2	SPACER, .406 B .50 OD .280 T
15	600330	1	STRING GUARD
16	600566	1	PIN, WIRE LOCK, .313
17	600571	2	PIN, CLEVIS 1/2 X 6.00
18	600578	4	RUE-RING, .50
19	600820	4	BOLT, M8-1.25 X 45 HH
20	600962	1	BOLT, M10-1.50 X 40 HH FULL THRD
21	3400166	2	FITTING, REDUCER -10 SAE -8 SAE
22	675606	2	FITTING, LONG ELBOW -8 ORFS -8 SAE
23	713041	4	SCREW, 3/8-16 X .750 HHC
24	730339	4	NUT, M10-1.50 ESN SS
25	730424	1	BOLT, M10-1.50 X 80 HH ALL-THRD
26	730902	1	GAS STRUT, 8.77 EXT, 3.00 STK, 200N
27	730904	2	NUT, 5/16-18 HEX JAM SS
28	730958	4	BOLT, M10-1.50 X 25 HH SS
29	731274	1	BROOM, SIDE, 20"
30	731278	1	MOUNT, SB MOTOR
31	731279	1	MOUNT, SB PIVOT
32	731280	1	MOUNT, SB GAS STRUT
33	731285	1	WELDMENT, SB PIVOT
34	731290	1	PIN, RETAINING
35	REF.	-	SB CABLE
36	REF.	-	FRAME
37	REF.	-	FRAME

**GROUP (730037) - OPTION SIDE BROOM, INCLUDES SUB-GROUPS:  
730032, 730033, 730034, 730028, 730029.**

OPTION - SIDE BROOM LIFT AND ADJUSTMENT GROUP (730033)



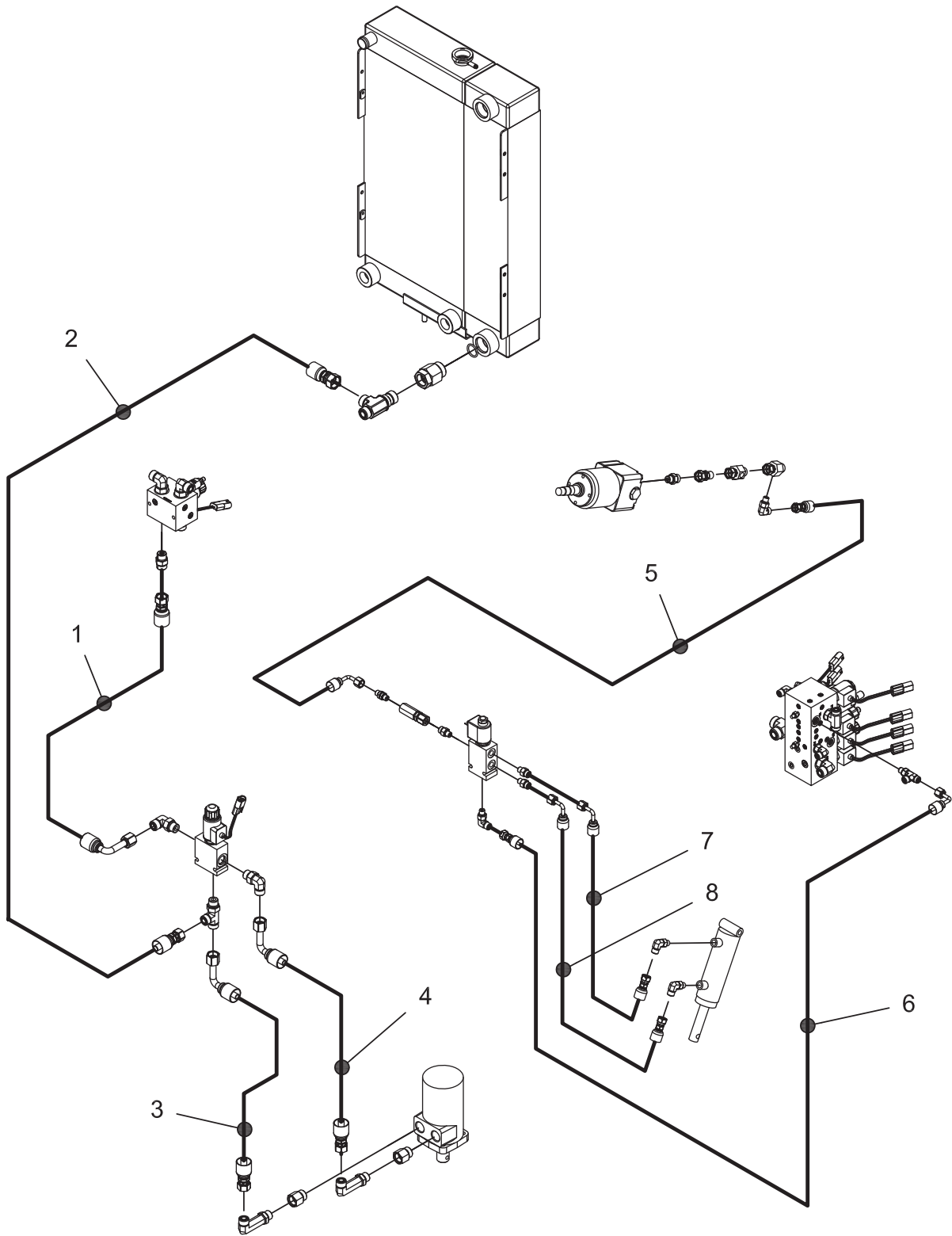
REV C

**OPTION - SIDE BROOM LIFT AND ADJUSTMENT GROUP (730033)**

Parts List 730033			
ITEM	PART NUMBER	QTY	DESCRIPTION
1	3400075	1	NUT, HEX JAM 3/8-24
2	3400086	6	WASHER, 1/2, 1.063 X .531 X .094
3	3400087	4	WASHER, 3/8
4	3400089	4	WASHER, 1/4 .625 X .281 X .063
5	3400115	1	PIN, CLEVIS, .375 X 3.00
6	3400117	1	PIN, CLEVIS 3/8 X 1.125
7	3400125	3	RUE-RING, .375
8	3401028	2	NUT, FIBER INSERT 3/8-16 JAM
9	600117	1	BUMPER, 1.00 X .339 T
10	600573	1	PIN, CLEVIS, 3/8 X 1.50
11	600813	1	CLEVIS, 3/8-24
12	620005	1	SOLENOID, 2-POS, 4-WAY, CROSSOVER
13	620008	1	CHECK VALVE
14	620009	2	SPACER, .391 B .750 OD .250 T
15	620110	1	ADAPTER, #4 O-RING - #4 O-RING
16	675507	3	FITTING, 90, -4 ORFS - 4 SAE
17	675508	3	FITTING, STR, 4 ORFS - 4-SAE
19	675523	2	FITTING, 90, -8 ORFS - 8 SAE
20	675525	1	FITTING, RUN TEE, 8 ORFS - 8 ORFS - 8 SAE
21	711373	4	NUT, FIBER INSERT 1/4-20
22	712567	4	SCREW, 1/4-20 X 2.00 HH SS
23	730548	1	CYLINDER, HYD, 1.50 B X 2.88 STK
24	731277	1	WING NUT, 3/8-24, NYLON
25	731281	1	CHANNEL, SB ADJUSTMENT
26	731282	1	CLEVIS, CABLE
27	731283	1	SB CABLE
28	731284	1	ROD, SB ADJUSTMENT
29	731291	1	KNOB, 3/8-24
30	731292	1	ASSEMBLY, SOLENOID VALVE 2-POS 3-WAY
31	770486	1	MOUNT, SOLENOID
32	REF.	-	PIVOT ASSEMBLY

**GROUP (730037) - OPTION SIDE BROOM, INCLUDES SUB-GROUPS:  
730032, 730033, 730034, 730028, 730029.**

OPTION - SIDE BROOM HYDRAULIC HOSE GROUP (730034)

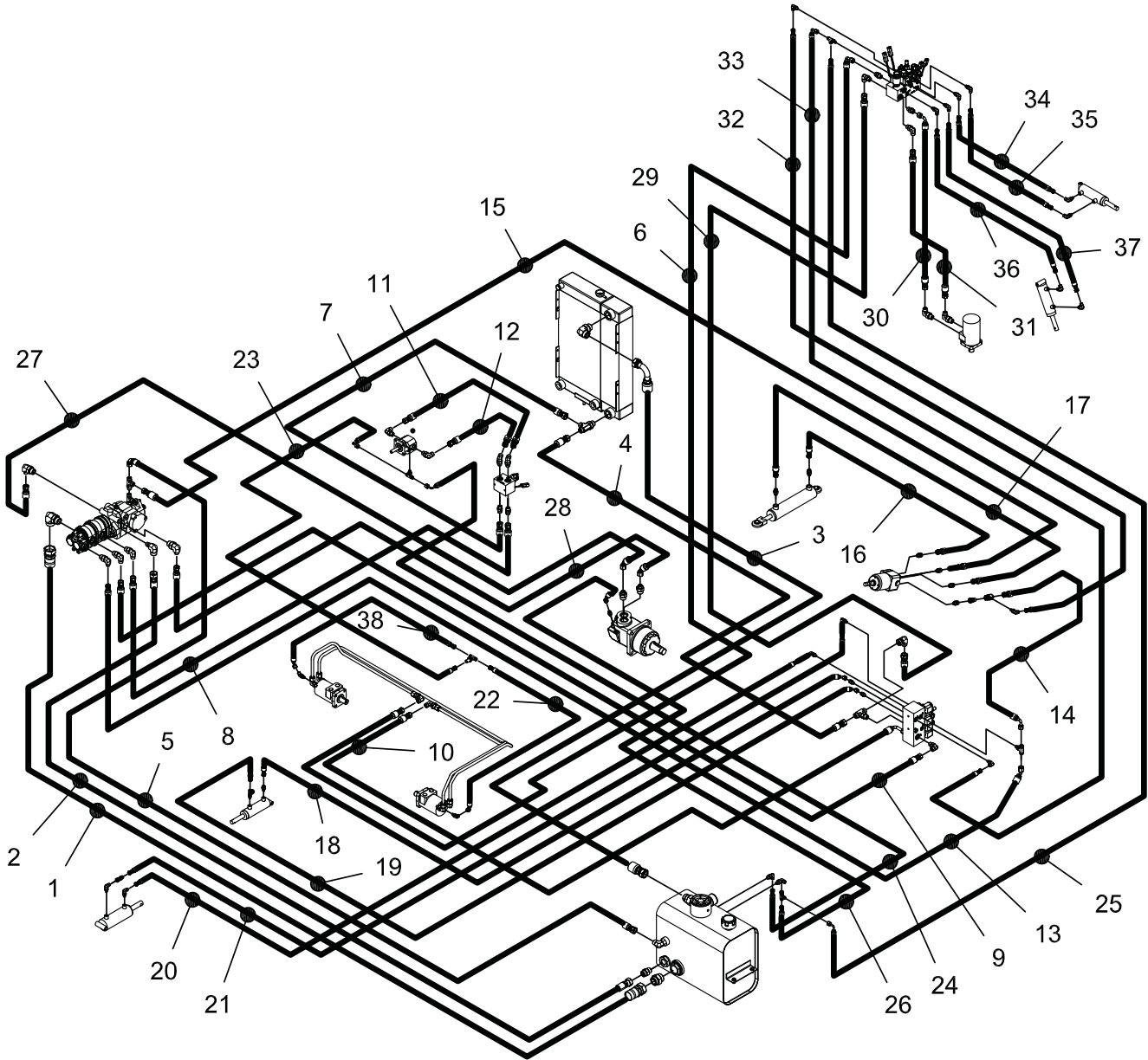


REV B

**OPTION - SIDE BROOM HYDRAULIC HOSE GROUP (730034)**

Parts List			
ITEM	PART NUMBER	QTY	DESCRIPTION
1	731500	1	HOSE, 8 STR - 8 90 MED (IMP SOL T TO SB MOTOR SOL 2)
2	REF.	-	EXISTING HOSE - 731057
3	675470	1	HOSE, 8 STR - 8 90 MED (SB MOTOR SOL 1 TO SB LEFT)
4	675470	1	HOSE, 8 STR - 8 90 MED (SB MOTOR SOL 3 TO SB RIGHT)
5	731084	1	HOSE, 4 STR - 4 90 MED (STEERING UNIT PRESS TO CYL SOL 3)
6	731075	1	HOSE, 4 STR - 4 90 MED (CYL SOL 1 TO MAIN MANIFOLD T1)
7	731085	1	HOSE, 4 STR - 4 90 MED (CYL SOL 4 TO CYL PISTON END)
8	731085	1	HOSE, 4 STR - 4 90 MED (CYL SOL 2 TO CYL BASE END)

OPTION - SIDE BRUSH HYDRAULIC HOSE ROUTING (730038)

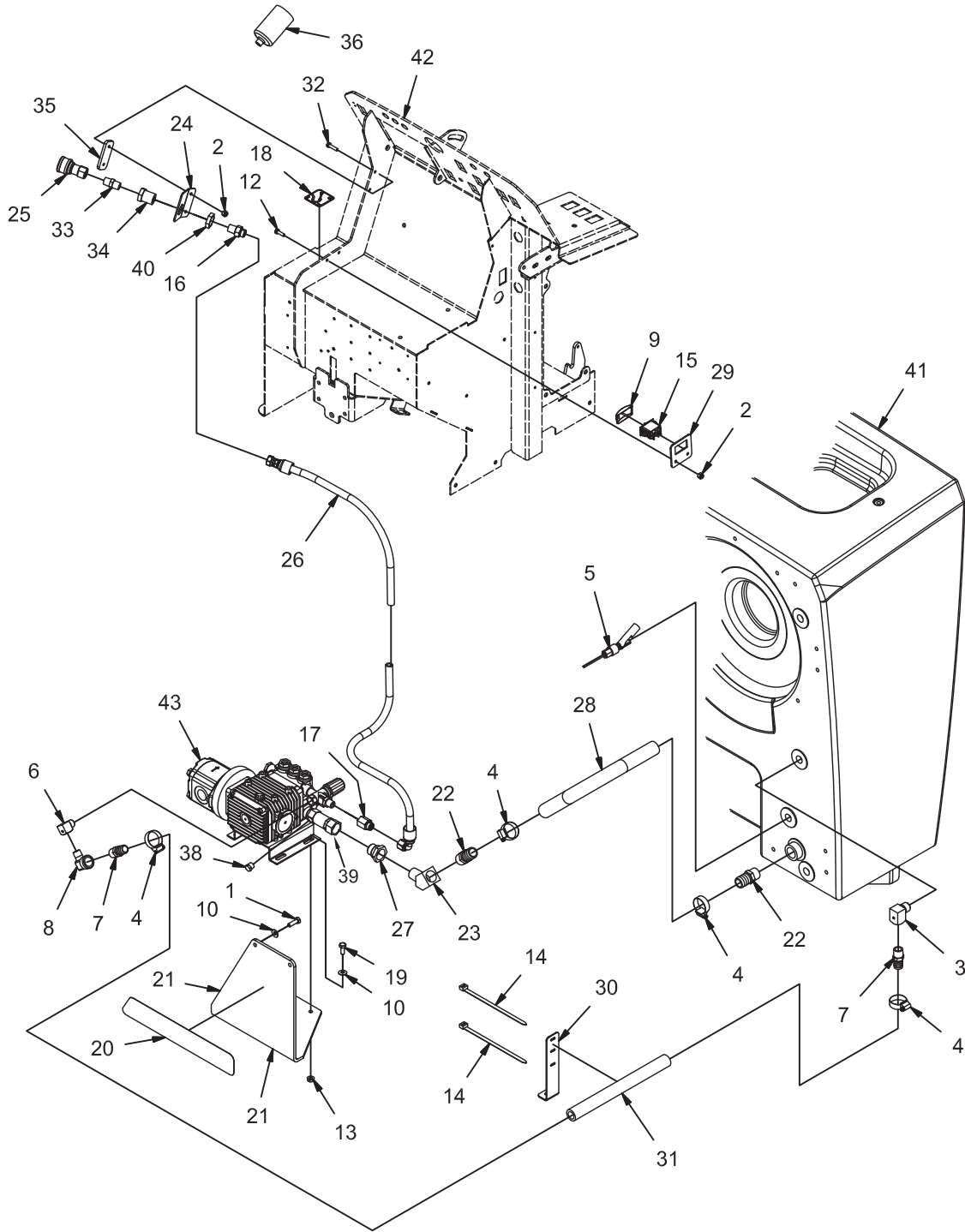


REV B

**OPTION - SIDE BRUSH HYDRAULIC HOSE ROUTING (730038)**

Parts List 730038			
ITEM	PART NUMBER	QTY	DESCRIPTION
1	731051	1	HOSE, 20 STR - 20 STR SUC (RES TO AUX PUMP IN)
2	731052	1	HOSE, 12 STR - 12 STR SUC (RES TO VDP CASE)
3	731053	1	HOSE, 16 STR - 16 90 RET (COOLER UPPER TO RES)
4	731054	1	HOSE, 10 STR - 10 STR RET (VALVE T2 TO COOLER)
5	731055	1	HOSE, 10 STR - 8 90 RET (VDP CASE TO RES)
6	731079	1	HOSE, 8 STR - 8 90 MED (LH MB TO SSB VALVE P2)
7	731057	1	HOSE, 8 STR - 10 STR MED (IMP SOL T TO COOLER)
8	731058	1	HOSE, 8 STR - 8 STR MED (AUX PUMP 1 TO IMP SOL P)
9	731059	1	HOSE, 8 STR - 8 STR MED (AUX PUMP 2 TO VALVE P2)
10	731060	1	HOSE, 8 STR - 8 90 MED (VALVE MB OUT TO MB RIGHT)
11	731061	1	HOSE, 8 STR - 8 90 MED (IMP SOL VF OUT TO IMP LEFT)
12	731062	1	HOSE, 8 STR - 8 90 MED (IMP RIGHT TO IMP SOL VF IN)
13	731063	1	HOSE, 6 STR - 6 90 MED (AUX PUMP 3 TO VALVE P1)
14	731064	1	HOSE, 6 STR - 6 90 MED (VALVE P1 TO STR PRESS)
15	731065	1	HOSE, 6 STR - 8 STR RET ( STR TANK TO VDP CASE)
16	731066	1	HOSE, 6 STR - 6 STR MED (STR LEFT TO CYL F)
17	731067	1	HOSE, 6 STR - 6 STR MED ( STR RIGHT TO CYL R)
18	731068	1	HOSE, 4 STR - 4 45 MED (VALVE BL A TO SH CYL F)
19	731069	1	HOSE, 4 STR - 4 45 MED (VALVE BL A TO SH CYL R)
20	731070	1	HOSE, 4 STR - 4 STR MED (VALVE SG B TO SQU CYL F)
21	731071	1	HOSE, 4 STR - 4 STR MED (VALVE SG A TO SQU CYL R)
22	731072	1	HOSE, 4 STR - 4 45 MED (RH MB CASE TO SCRUB HEAD TEE)
23	731073	1	HOSE, 4 STR - 4 90 MED (SCRUB HD TO IMP CASE)
24	731074	1	HOSE, 4 STR - 4 90 MED (IMP CASE TO RES)
25	731075	1	HOSE, 4 STR - 4 90 MED (SSB VALVE T1 TO RES)
26	731076	1	HOSE, 4 STR - 4 45 MED (WHEEL DRIVE CASE TO RES)
27	731077	1	HOSE, 8 STR - 8 45 SPCL (VDP L TO WHEEL DRIVE R)
28	731078	1	HOSE, 8 STR - 8 45 SPCL (VDP R TO WHEEL DRIVE F)
29	731081	1	HOSE, 10 STR - 8 45 MED (VALVE T2 TO SSB VALVE T2)
30	731082	1	HOSE, 8 STR - 8 90 MED (SSB VALVE SB OUT TO SB R)
31	731083	1	HOSE, 8-STR - 8 STR MED (SSB VALVE SB IN TO SB F)
32	731084	1	HOSE, 4-STR - 4 STR MED (STR TEE TO SSB VALVE P1)
33	731085	1	HOSE, 4 STR - 4 90 MED (VALVE T1 TO SSB VALVE T1)
34	731089	1	HOSE, 4 STR - 4 STR MED (SSB VALVE SBE A TO EXT CYL L)
35	731087	1	HOSE, 4 STR - 4 STR MED (SSB VALVE SBE B TO EXT CYL R)
36	731088	1	HOSE, 4 STR - 4 STR MED (SSB VALVE SBL A TO LIFT CYL U)
37	731089	1	HOSE, 4 STR - 4 STR MED (SSB VALVE SBL B TO LIFT CYL L)
38	731168	1	HOSE, 4 STR - 4 45 MED (LH MB CASE TO SCRUB HEAD TEE)

OPTION - PRESSURE WASHER PUMP GROUP (730041-1)



REV G

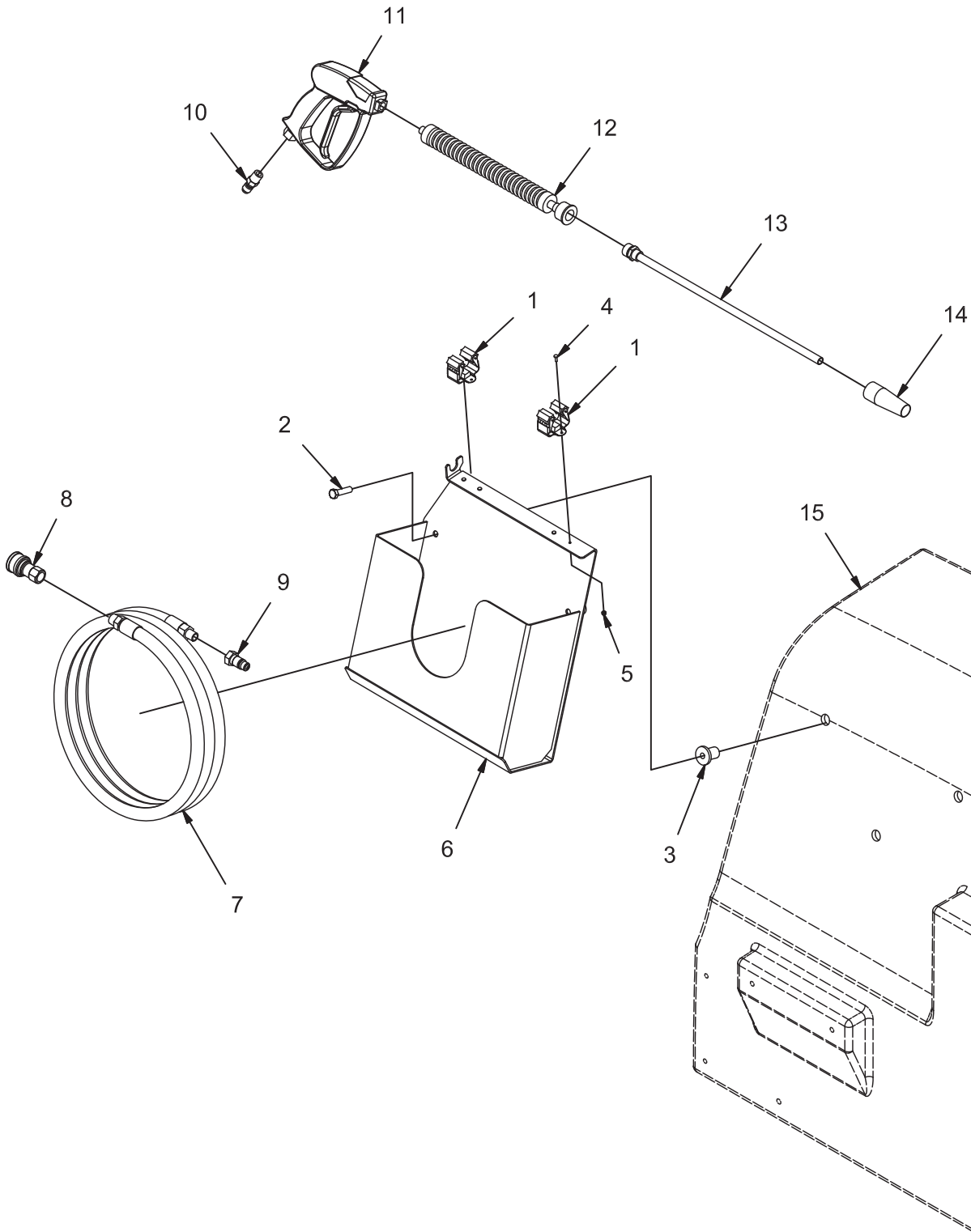


**OPTION - PRESSURE WASHER PUMP GROUP (730041-1)**

Parts List 730041-1			
ITEM	PART NUMBER	QTY	DESCRIPTION
1	11039567	2	BOLT, M8-125 X 25 HH SS
2	12040044	4	NUT, M6-1.00 ESN
3	281093	1	FTG, BRASS ELBOW, 1/2 MPT - 1/2 FPT
4	3302193	4	CLAMP, HOSE, .75 - 1.25
5	3302737-1	1	SWITCH, FLOAT
6	3320551	1	FTG, BRASS ELBOW, 3/8 MPT - 3/8 FPT
7	3320728	2	FTG, STR, 1/2 MPT 3/4 HOSE BARB
8	3339916	1	FTG, BRASS ELBOW, .38 FPT TO .50 MPT
9	3342273	1	SWITCH COVER - BLACK, CLEAR LENS
10	3400384	6	WASHER, 5/16 BELLEVILLE
11	3500118	1	EDGING, VINYL TRIM .125 X 12.00
12	600913	2	BOLT, M6-100 X 20 HH SS
13	600934	4	NUT, M8-1.25 FLNG
14	620037	2	NYLON CABLE TIE
15	620137	1	SWITCH BODY, DPST W/GREEN LAMP
16	675634	1	FITTING, STR, -6 MPT - 6 OFS SS
17	675635	1	FITTING, STR, -6 FPT - 6 OFS SS
18	715970	1	DECAL, WASH SWITCH
19	717030	4	BOLT, M8-1.25 X 20 HH SS
20	730967	1	PAD, STEP
21	731422	1	MOUNT, PRESSURE WASHER
22	731423	2	FTG, STR, 3/4 MPT 1 HOSE BARB
23	731424	1	FTG, BRASS, 45 STREET ELBOW, 3/4 NPT
24	731436	1	MOUNT, QUICK DISCONNECT
25	731441	1	QUICK DISCONNECT COUPLER W/ VALVING
26	731454	1	HOSE, -6 STR -6 90, SS END FITTINGS
27	731455	1	ADAPTER, BRASS MALE HOSE TO 3/4 FPT
28	731456	1	TUBING, 1.00 ID RENFORCED VINYL
29	731459	1	BRACKET, SWITCH
30	731460	1	BRACKET, CLAMP
31	731461	1	TUBING, .75 ID VINYL
32	731555	2	SCR-HH M6-1.00 X 25 HH SS
33	731618	1	FTG, HEX NIPPLE, 3/8 NPT SS
34	731619	1	ANCHOR COUPLING 3/8 NPT SS
35	731651	1	PLT, SPACER
36	747041	1	BOOT, IGNITION SWITCH
37	748735	1	HARNESS ASSY, PRESSURE WASHER
38	829619	1	PLUG, 1/4 MPT, BRASS
39	731035	1	FILTER, PRESSURE WASHER, NAUTILUS
40	PART OF 731619	1	NUT
41	REF	-	TANK, SOLUTION
42	REF.	-	CONSOLE
43	REF.	-	PRESSURE WASHER

\*\*ORDER 731486 CHECK VALVE REPLACEMENT KIT FOR 731421 PRESSURE WASHER ASSEMBLY

OPTION - PRESSURE WASHER HOSE AND WAND GROUP (730041-2)

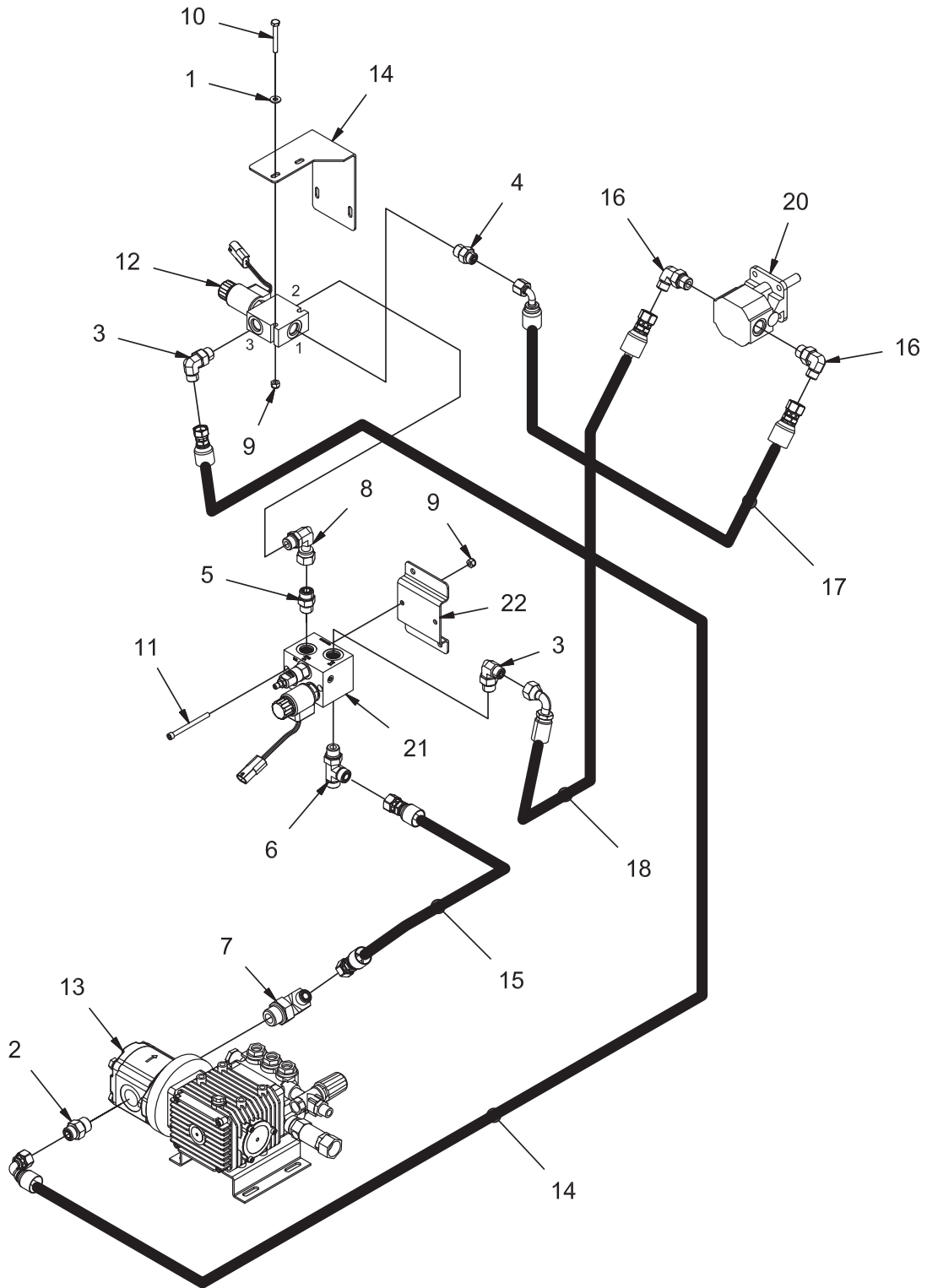


REV A

**OPTION - PRESSURE WASHER HOSE AND WAND GROUP (730041-2)**

Parts List 730041-2			
ITEM	PART NUMBER	QTY	DESCRIPTION
1	00560010	2	CLAMP
2	3400455	3	SCREW, 3/8-16 X 1.50 HH SS
3	730991	3	NUT, RUBBER EXPANSION
4	710204	4	SCR-PHMS 6-32 X .50 ZP
5	711371	4	NUT-NYLOC 6-32 ZP
6	731437	1	WELDMENT, HOSE BOX
7	731440	1	HOSE, PRESSURE WASHER 50 FT (PART OF KIT 731457)
8	731441	1	QUICK DISCONNECT, COUPLER (PART OF KIT 731457)
9	731442	1	QUICK DISCONNECT, HP, NIPPLE, SS
10	731443	1	QUICK DISCONNECT PLUG, 6MPT (PART OF KIT 731457)
11	731444	1	TRIGGER GUN (PART OF KIT 731457)
12	731445	1	INSULATED LANCE (PART OF KIT 731457)
13	731446	1	LANCE (PART OF KIT 731457)
14	731447	1	ADJUSTABLE TIP (PART OF KIT 731457)
15	REF.	-	SOLUTION TANK

OPTION - PRESSURE WASHER HYDRAULIC HOSE GROUP (730041-3)

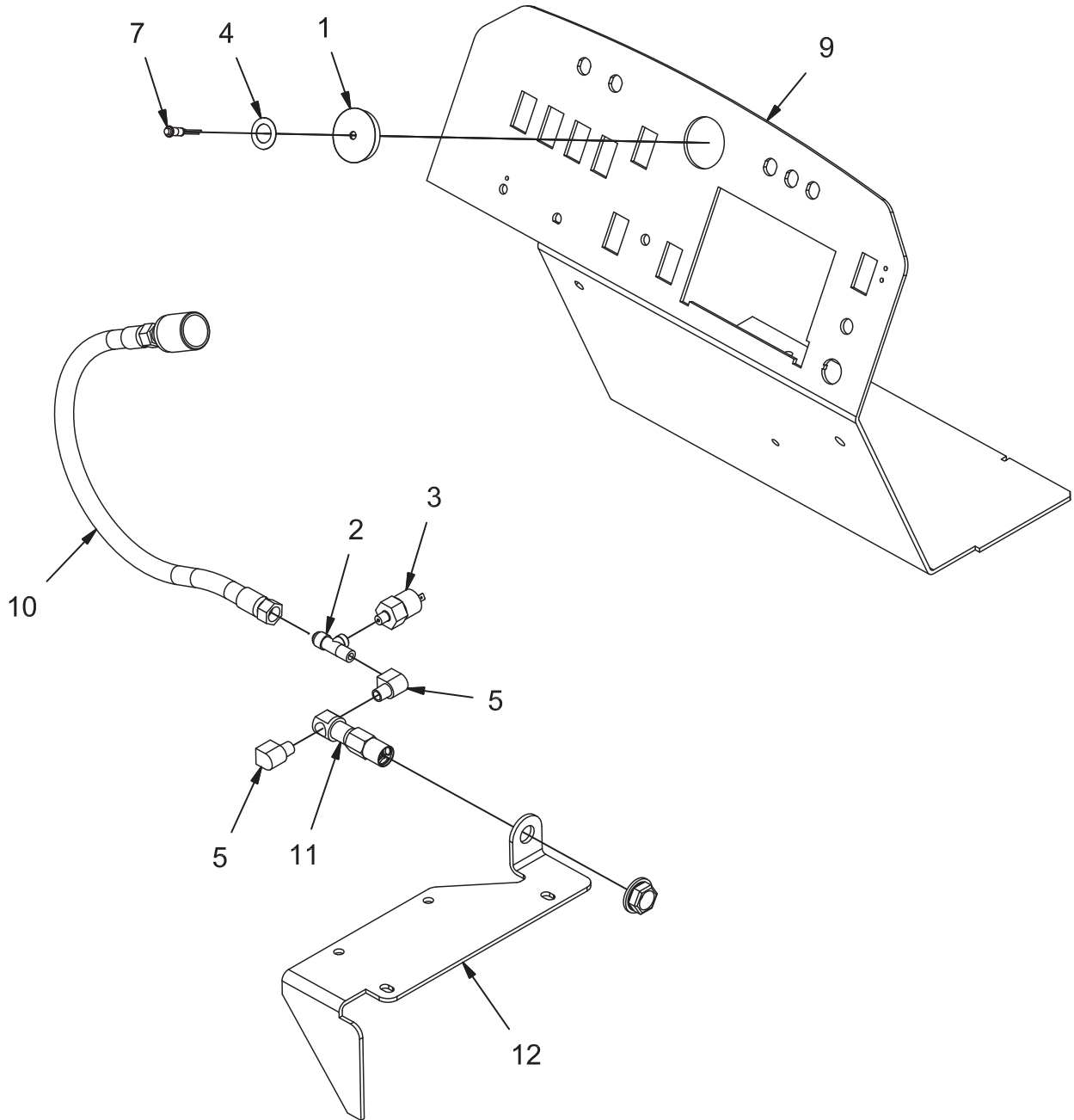


REV C

**OPTION - PRESSURE WASHER HYDRAULIC HOSE GROUP (740031-3)**

Parts List 730041-3			
ITEM	PART NUMBER	QTY	DESCRIPTION
1	3400089	2	WASHER, 1/4 .625 X .281 X .063
2	3400689	1	FTG, STR THD CONNECTOR -8 ORFS TO -10 SAE
3	675520	1	FITTING, ELBOW, 6 ORFS - 8 O-RING
4	675521	1	FITTING, STR, -6 ORFS - 8 SAE
5	675524	1	FITTING, STR, -8 ORFS - 8 SAE
6	675525	1	FITTING, RUN TEE, -8 ORFS - 8 ORFS - 8 SAE
7	675537	1	FITTING, 90, -8 ORFS - 12 SAE
8	675628	1	FTG - STR THD SWIVEL ELBOW, -8 ORFS TO -8 SAE
9	711373	4	NUT, FIBER INSERT 1/4-20
10	712567	2	SCREW, 1/4-20 X 2.00 HH SS
11	730965	2	BOLT, 1/4-20 X 3.00 SOC HD CAP
12	731292	1	ASSEMBLY, SOLENOID VALVE 2-POS 3-WAY
12A	731298	1	CARTRIDGE VALVE - SERVICE PART
12B	731299	1	VALVE BLOCK - SERVICE PART
12C	731300	1	COIL - SERVICE PART
13	731421	1	ASSEMBLY, PRESSURE WASHER (PART OF KIT 731457)
13A	731414	-	MOTOR, PRESSURE WASHER
13B	731421	-	PUMP, PRESSURE WASHER
13C	731413	-	MOTOR/PUMP, PRESSURE WASHER SUB ASSEMBLY
14	731431	1	BRACKET, SOLENOID MNT
15	731452	1	HOSE, 6 STR - 8 90 (SOL 3 TO PW PUMP IN)
16	731453	1	HOSE, 8 STR - 8 STR (PW PUMP OUT TO IMP SOL T)
17	REF.	-	FITTING, -6ORFS TO -8 SAE
18	REF.	-	HOSE 731061-1 (IMP LEFT TO SOL 1)
19	REF.	-	HOSE 731062-1 (IMP RIGHT TO IMP SOL VF IN)
20	REF.	-	IMPELLER MOTOR
21	REF.	-	IMPELLER MANIFOLD
22	REF.	-	MANIFOLD BRACKET

OPTION - LOW LP INDICATOR GROUP (730042)

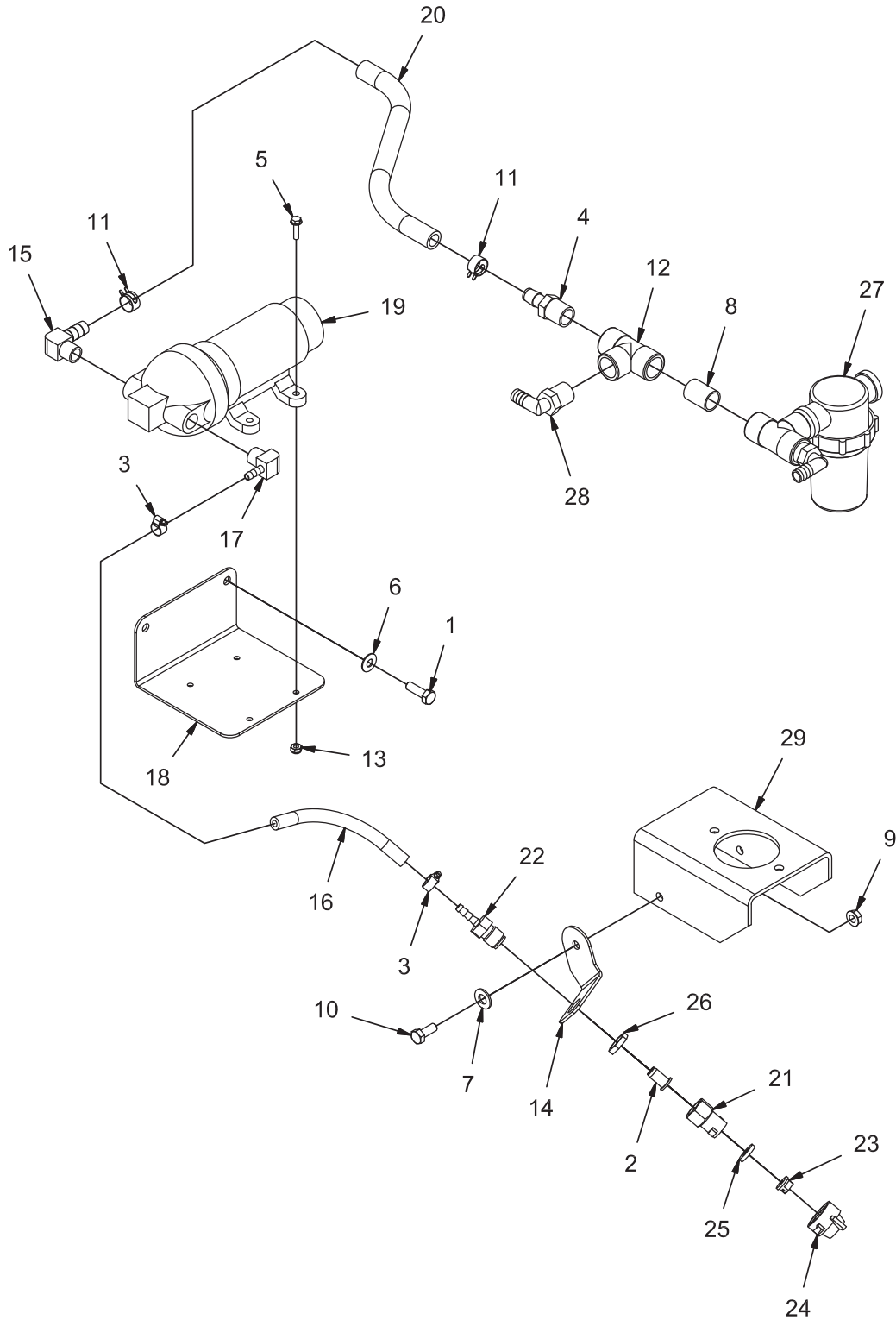


REV C

**OPTION - LOW LP INDICATOR GROUP (730042)**

Parts List 730042			
ITEM	PART NUMBER	QTY	DESCRIPTION
1	3301822-1	1	PLUG, PLASTIC, W/ MOUTING HOLE
2	3305535-2	1	TEE, BRASS
3	3305535-3	1	LP INDICATOR SENSOR
4	3305535-4	1	LPG LABEL
5	620238	2	FITTING, 1/4 NPT STREET ELBOW, BRASS
6	748770	1	WIRE ASSY, LOW LP INDICATOR
7	748960	1	ASSY, INDICATOR LAMP, LO LP
8	746050	2	INSULATOR CAP, TERMINAL (NOT SHOWN)
9	REF.	-	INSTRUMENT PANEL
10	REF.	-	LP TANK HOSE
11	REF.	-	RELIEF VALVE MOUNT
12	REF.	-	FRAME WITH PRESSURE RELIEF VALVE

OPTION - SIDE BROOM WATER MIST GROUP (730043)



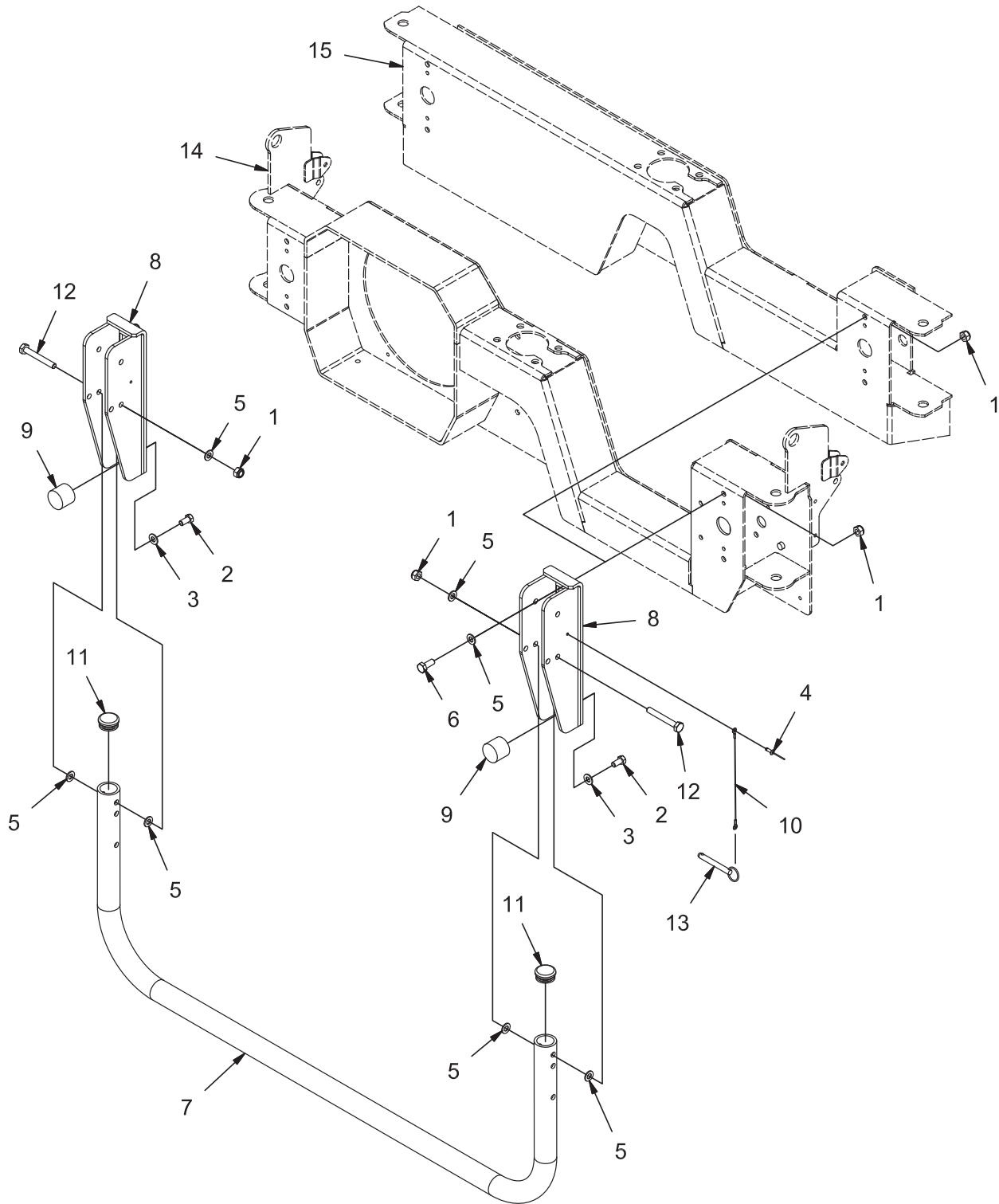
REV B



**OPTION - SIDE BROOM WATER MIST GROUP (730043)**

Parts List 730043			
ITEM	PART NUMBER	QTY	DESCRIPTION
1	11039567	2	BOLT, M8-1.25 X 25 HH SS
2	281041	1	VALVE - CHECK
3	3302338	2	CLAMP, HOSE, .50
4	3315534	1	FITTING, PLASTIC, STR, .50 NPT .50 BARB
5	3400044	4	SCR-HEX, #10-32 X .75 ZP
6	3400384	2	WASHER, 5/16 BELLEVILLE
7	3400385	1	WASHER, 3/8, BELLEVILLE
8	383465	1	1/2 NPT CLOSE PIPE NIPPLE, BRASS
9	600934	1	NUT, M8-1.25 FLNG
10	717030	1	BOLT, M8-1.25 X 20 HH SS
11	730962	2	CLAMP, WIRE HOSE
12	730966	1	FITTING, PVC TEE, FEMALE 1/2 NPT
13	731242	4	NUT, 10-32 ESN SS
14	731538	1	MOUNT, NOZZLE
15	731558	1	FTG, ELBOW, 3/8 NPT TO 1/2 BARB, BRASS
16	770669	1	TUBING, .25 ID
17	731603	1	FTG, ELBOW, 3/8 NPT TO 1/4 BARB, BRASS
18	770648	1	BRACKET, PUMP MNT
19	770653-1	1	PUMP, SOLUTION, 2 GPM, 12 VDC
20	770662	1	TUBING, 1/2 ID REINFORCED VINYL
21	770666	1	ADAPTER, SPRAY
22	770667	1	FITTING, SPECIAL
23	770668	1	SPRAY TIP - 11001
24	833141	1	CAP
25	833142	1	GASKET - CAP
26	PART OF 770667	1	NUT
27	REF.	-	EXISTING COMPONENTS
28	REF.	-	EXISTING COMPONENT
29	REF.	-	FRAME

OPTION - REAR SQUEEGEE GUARD (730048)

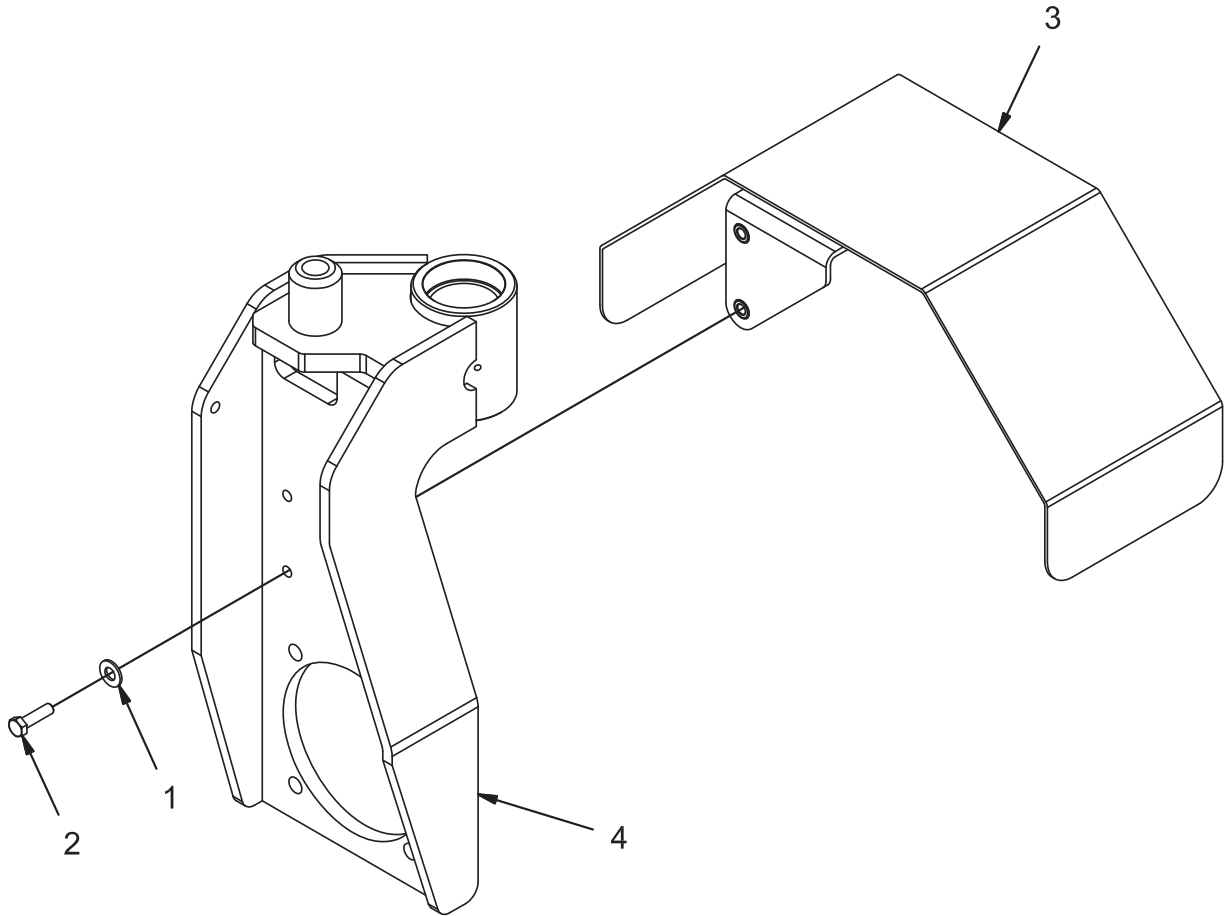


REV A

**OPTION - REAR SQUEEGEE GUARD (730048)**

Parts List 730048			
ITEM	PART NUMBER	QTY	DESCRIPTION
1	12040069	6	NUT, M10-1.50 ESN
2	3400335	2	SCREW, 3/8-16 X .750 HH SS
3	3400385	2	WASHER, 3/8, BELLEVILLE
4	3400484	1	RIVET, MULTI-GRIP
5	730344	10	WASHER, M10 SS
6	730958	4	BOLT, M10-1.50 X 25 HH SS
7	731488	1	TUBE, GUARD
8	731491	2	WELDMENT, GUARD MOUNT
9	731492	2	BUMPER, URETHANE
10	731501	1	LANYARD
11	731502	2	PLUG, HOLE, 1.25
12	731462	2	SCR-HH, M10-1.50 X 75 HH P CLASS 8.8
13	731493	1	PIN, CLEVIS, .375, BALL DETENT
14	REF.	-	REAR BUMPER - HAND DUMP
15	REF.	-	REAR BUMPER - HIGH DUMP

OPTION - FRONT WHEEL FENDER (730052)

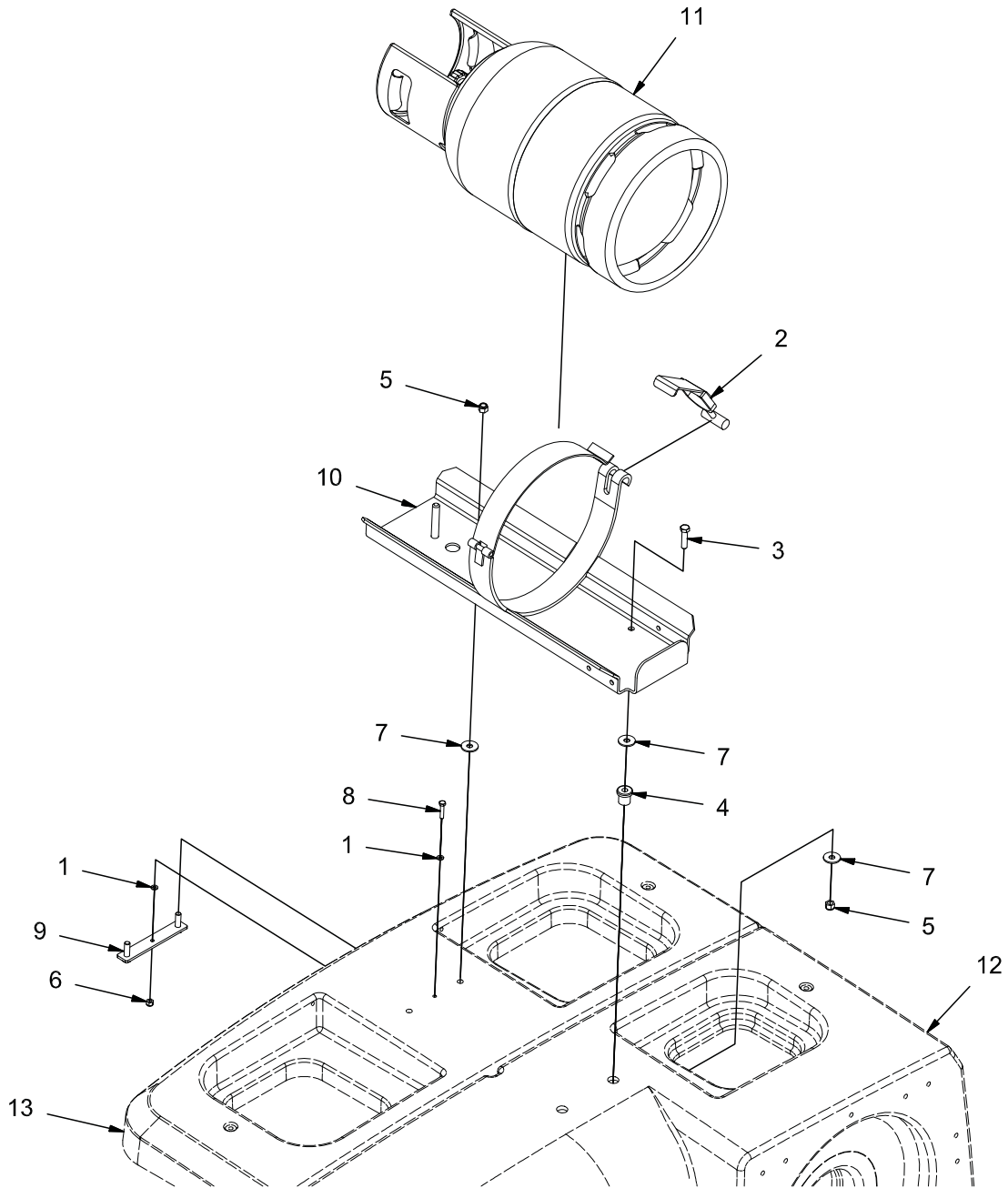


REV A

**OPTION - FRONT WHEEL FENDER (730052)**

Parts List 730052			
ITEM	PART NUMBER	QTY	DESCRIPTION
1	3400385	2	WASHER, 3/8, BELLEVILLE
2	730506	2	BOLT, M8-125 X 30 HH SS
3	731301-1	1	ASSEMBLY, FENDER
4	REF.	-	STEERING FORK

OPTION - RESERVE LPG TANK GROUP (730160)

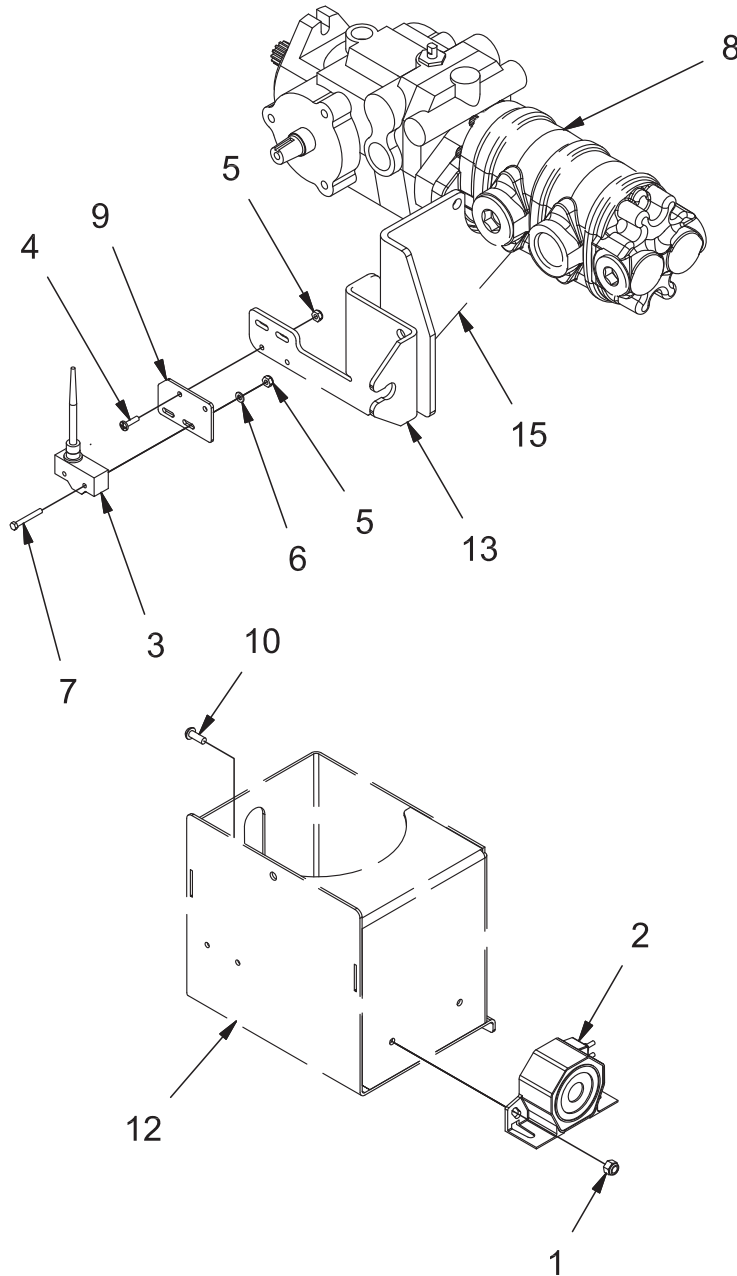


REV \*

**OPTION - RESERVE LPG TANK GROUP (730160)**

Parts List 730160			
ITEM	PART NUMBER	QTY	DESCRIPTION
1	12310256	2	WASHER, M6, SS
2	220131	1	BUCKLE
3	3400455	2	SCREW, 3/8-16 X 1.50 HH SS
4	3300465	2	ISOLATOR, VIB
5	3400340	4	NUT, 3/8-16 ESN SS
6	600933	1	NUT, M6-1.00 ESN SS
7	717040	6	WASHER, FENDER, .413 B 1.18 OD .098 T SS
8	731050	1	BOLT, M6-100 X 30 HH SS
9	730993	1	WELDMENT, BOLT PLT
10	731010	1	WELDMENT, LPG RACK
11	REF.	-	LPG TANK
12	REF.	-	SOLUTION TANK
13	REF.	-	DEMISTER

OPTION - BACKUP ALARM GROUP - CM, RESERVE LPG IN (730169)



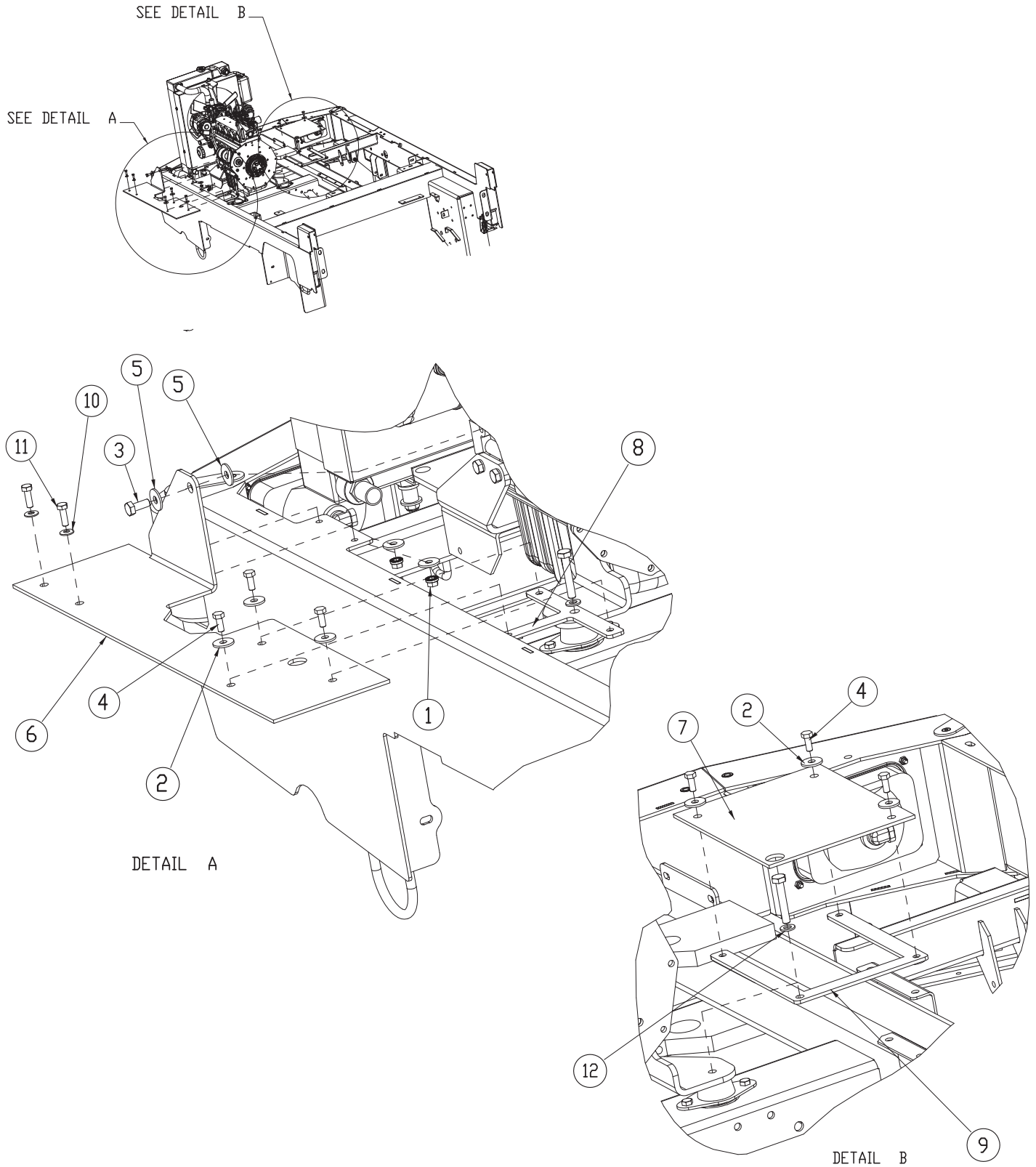
REV A



**OPTION - BACKUP ALARM GROUP - CM, RESERVE LPG IN (730169)**

Parts List 730169			
ITEM	PART NUMBER	QTY	DESCRIPTION
1	12040044	2	NUT, M6-1.00 ESN
2	3303002	1	ALARM, BACKUP
3	3342546-1	1	HARNESS, SWITCH, WHISKER
4	3400045	2	SCREW, #8-32 X .625 PAN HD ZP
5	3400082	4	NUT, FIBER INSERT #8-32
6	3400096	2	FLATWASHER, #8
7	620136	2	BOLT, #8-32 X 1.25 HH ZP
8	730310	1	PUMP, AUX
9	731002	1	MOUNT, REVERSE SWITCH
10	731116	2	SCREW, M6-1.00 X 16 BUTTON HD CAP ZP
11	748980	1	HARNESS, SAFETY LT & BACKUP ALARM
12	REF.	-	CHEMICAL PUMP MNT
13	REF.	-	ADJUSTER, HYDROBACK W/SW MNT
14	REF.	-	PUMP ASSEMBLY
15	REF.	-	HYDROBACK MOUNT

## OPTION - DUST SUPPRESSION (731482)

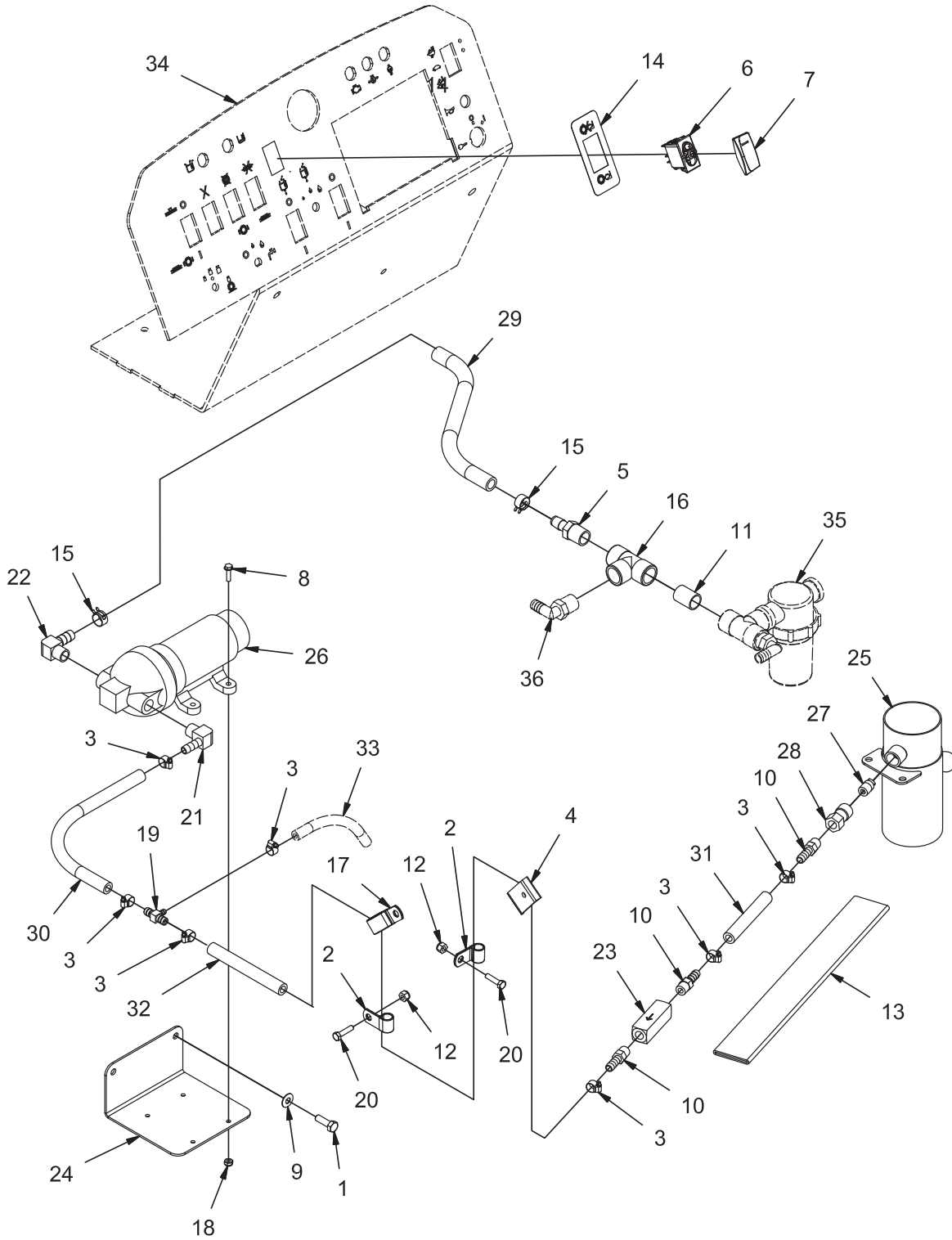


REV \*

**OPTION - DUST SUPRESSION (731482)**

<b>PARTS LIST - 731482</b>			
<b>ITEM</b>	<b>PART NO.</b>	<b>QTY</b>	<b>DESCRIPTION</b>
1	600934	2	NUT-FLANGE WIZZ M8-1.25 ZP
2	600940	8	WASHER-FENDER M8 X 24 ZP
3	620082	1	SCR-HH M10-1.25 X 25 ZP CLASS 8.8
4	717024	6	SCR-HH M8-1.25 X 20 ZP GRADE 8.8
5	717040	2	WASHER-FLAT M10.5 X 30 X 2.5 SS
6	731474	1	FLAP, DUST SUPRESSION, LH
7	731475	1	FLAP, DUST SUPRESSION , RH
8	731477	1	MOUNT, DUST SUPPRESSION, LH
9	731480	1	MOUNT, DUST SUPRESSION, RH
10	3400384	2	WASHER-CONICAL SPRING 5/16
11	11038247	2	SCR-HH M8-1.25 X 25 ZP CLASS 8.8
12	12310058	2	WASHER-FLAT M10.5 X 20 X 2 ZP

OPTION - DRY SWEEP (770002)  
PUMP SUB GROUP (770002-1)

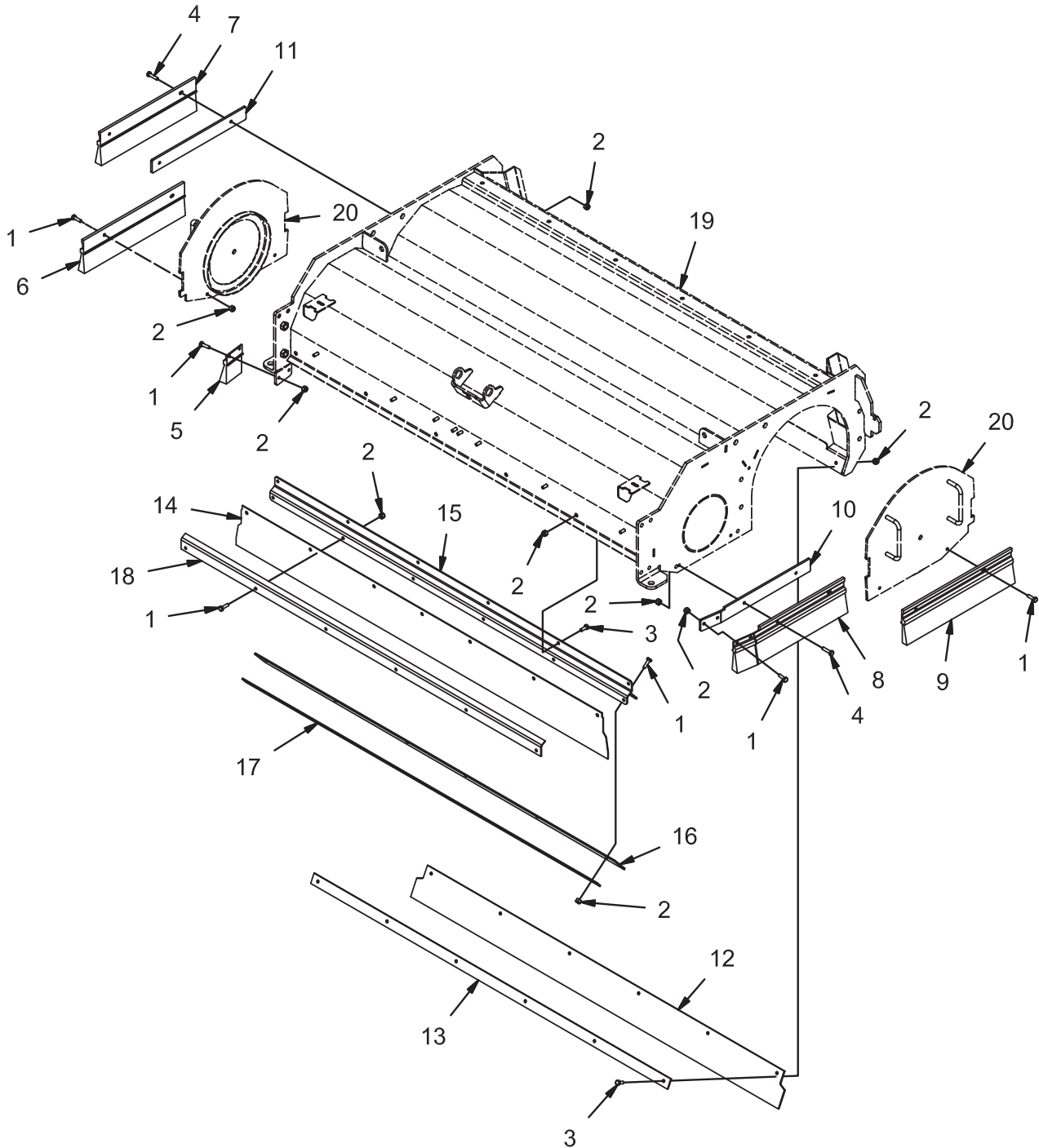


REV F

**PUMP SUB GROUP (770002-1)**

Parts List 770002-1			
ITEM	PART NUMBER	QTY	DESCRIPTION
1	11039567	2	BOLT, M8-125 X 25 HH SS
2	3301158	2	CLAMP - WIRE & TUBE .687 DIA STEEL
3	3302338	7	CLAMP, HOSE, .50
4	3302340	1	RETAINER, HOSE, OFFSET 4
5	3315534	1	FITTING, PLASTIC, STR, .50 NPT .50 BARB
6	3332713	1	SWITCH, DPST
7	3342273	1	SWITCH COVER - BLACK, CLEAR LENS
8	3400044	4	SCR-HEX, #10-32 X .75 ZP
9	3400384	2	WASHER, 5/16 BELLEVILLE
10	342435	3	FTG, STR, 1/4 NPT TO 3/8 HOSE BARB, BRASS
11	383465	1	1/2 NPT CLOSE PIPE NIPPLE, BRASS
12	600933	2	NUT, M6-1.00 ESN SS
13	690450	1	SLEEVE, AS-B-17 X 15.0"
14	715979	1	DECAL, DRY SWEEP
15	730962	2	CLAMP, WIRE HOSE
16	730966	1	FITTING, PVC TEE, FEMALE 1/2 NPT
17	731146	1	CLAMP, HOSE, .88
18	731242	4	NUT, 10-32 ESN SS
19	731381	1	UNION TEE, 3/8 TO 1/4, BRASS
20	731555	2	SCR-HH M6-1.00 X 25 HH SS
21	731556	1	FTG, ELBOW, 3/8 NPT TO 3/8 BARB, BRASS
22	731558	1	FTG, ELBOW, 3/8 NPT TO 1/2 BARB, BRASS
23	731584	1	CHECK VALVE, BRASS
24	770648	1	BRACKET, PUMP MNT
25	770649	1	WELDMENT, HD SQU TUBE - DC
26	770653-1	1	PUMP ASSEMBLY, SOLUTION, 2 GPM, 12 VDC
27	770654	1	NOZZLE, 120 DEGREE
28	770661	1	SOCKET, SPRAY NOZZLE
29	770662	1	TUBING, 1/2 ID REINFORCED VINYL
30	770663	1	TUBING, 3/8 ID REINFORCED VINYL
31	770665	1	TUBING, 3/8 ID REINFORCED VINYL
32	770670	1	TUBING, 3/8 ID REINFORCED VINYL
33	REF.	-	TUBING, .25 ID (TO SPRAY NOZZLE)
34	REF.	-	CONSOLE
35	REF.	-	EXISTING COMPONENTS
36	REF.	-	FITTING, PLASTIC, 90, .50 NPT .50 BARB

SKIRT SUB GROUP (770002-2)

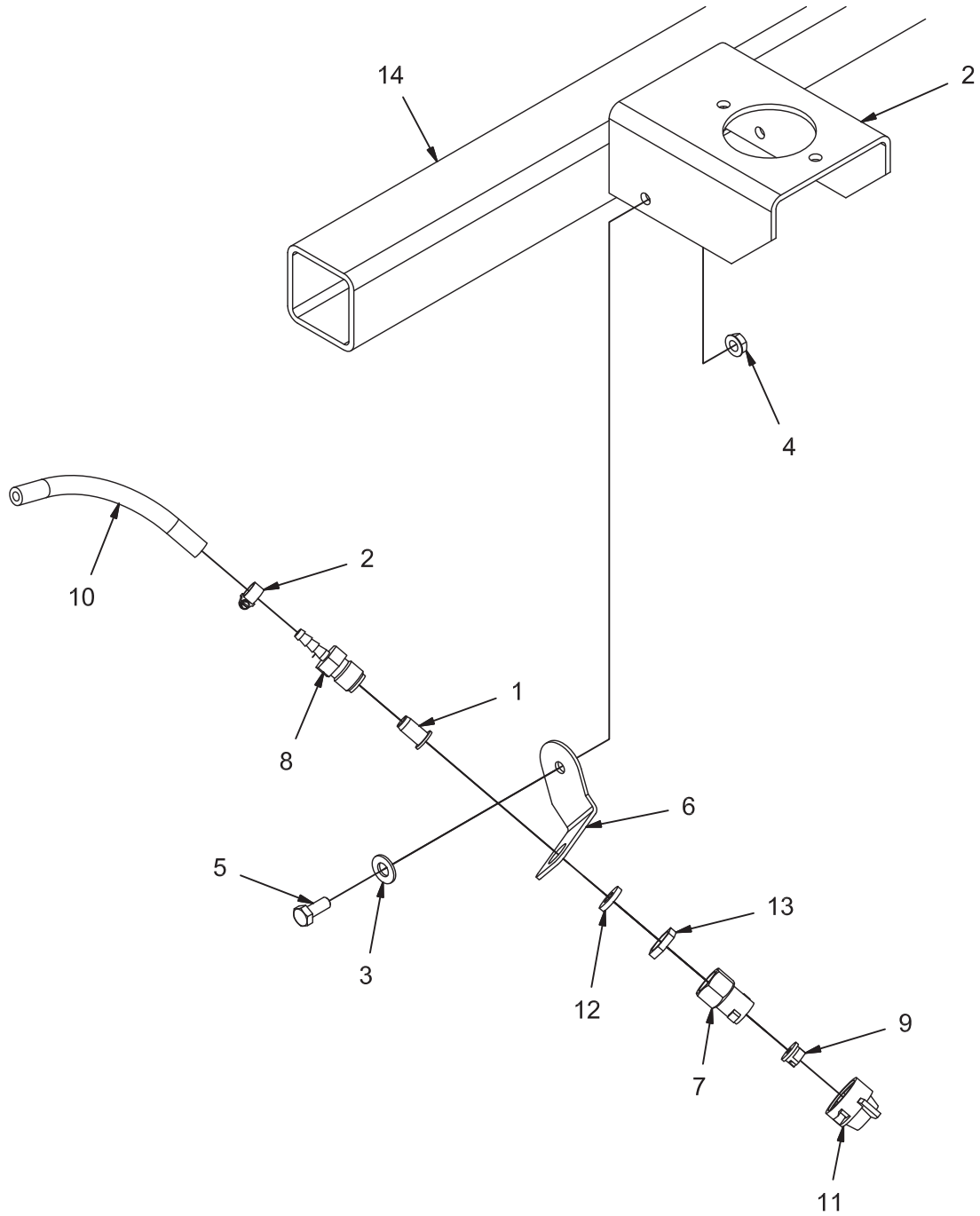


REV A

**SKIRT SUB GROUP (770002-2)**

Parts List 770002-2			
ITEM	PART NUMBER	QTY	DESCRIPTION
1	600913	20	BOLT, M6-1.00 X 20 HH SS
2	600933	36	NUT, M6-1.00 ESN SS
3	730934	12	BOLT, M6-1.00 X 16 HH SS
4	731555	4	SCR-HH M6-1.00 X 25 HH SS
5	770606	1	SKIRT, DC, RH TIP
6	770607	1	SKIRT, DC, RH FRONT
7	770608	1	SKIRT, DC, RH REAR
8	770609	1	SKIRT, 26 IN
9	770610	1	SKIRT, DC, LH REAR
10	770611	1	BAR, SPACER, LH FRONT
11	770612	1	BAR, SPACER, RH REAR
12	770614	1	SKIRT, DC, REAR
13	770615	1	STRAP, REAR SKIRT RETAINER
14	770656	1	SKIRT, DC, FRONT
15	770657	1	WELDMENT, FRONT SKIRT MNT
16	770659	1	SKIRT, FRONT RECERC
17	770660	1	STRAP, RETAINER
18	770664	1	ANGLE, RETAINER
19	REF.	-	SCRUB HEAD
20	REF.	-	BRUSH RETAINER

WATER MIST SUB GROUP (770002-4)



REV A



**WATER MIST SUB GROUP (770002-4)**

Parts List 770002-4			
ITEM	PART NUMBER	QTY	DESCRIPTION
1	281041	1	VALVE - CHECK
2	3302338	1	CLAMP, HOSE, .50
3	3400385	1	WASHER, 3/8, BELLEVILLE
4	600934	1	NUT, M8-1.25 FLNG
5	717030	1	BOLT, M8-1.25 X 20 HH SS
6	731538	1	MOUNT, NOZZLE
7	770666	1	ADAPTER, SPRAY
8	770667	1	FITTING, SPECIAL
9	770668	1	SPRAY TIP - 11001
10	770669	1	TUBING, .25 ID
11	833141	1	CAP
12	833142	1	GASKET - CAP
13	PART OF 770667	1	NUT, 11/16-16
14	REF.	-	FRAME

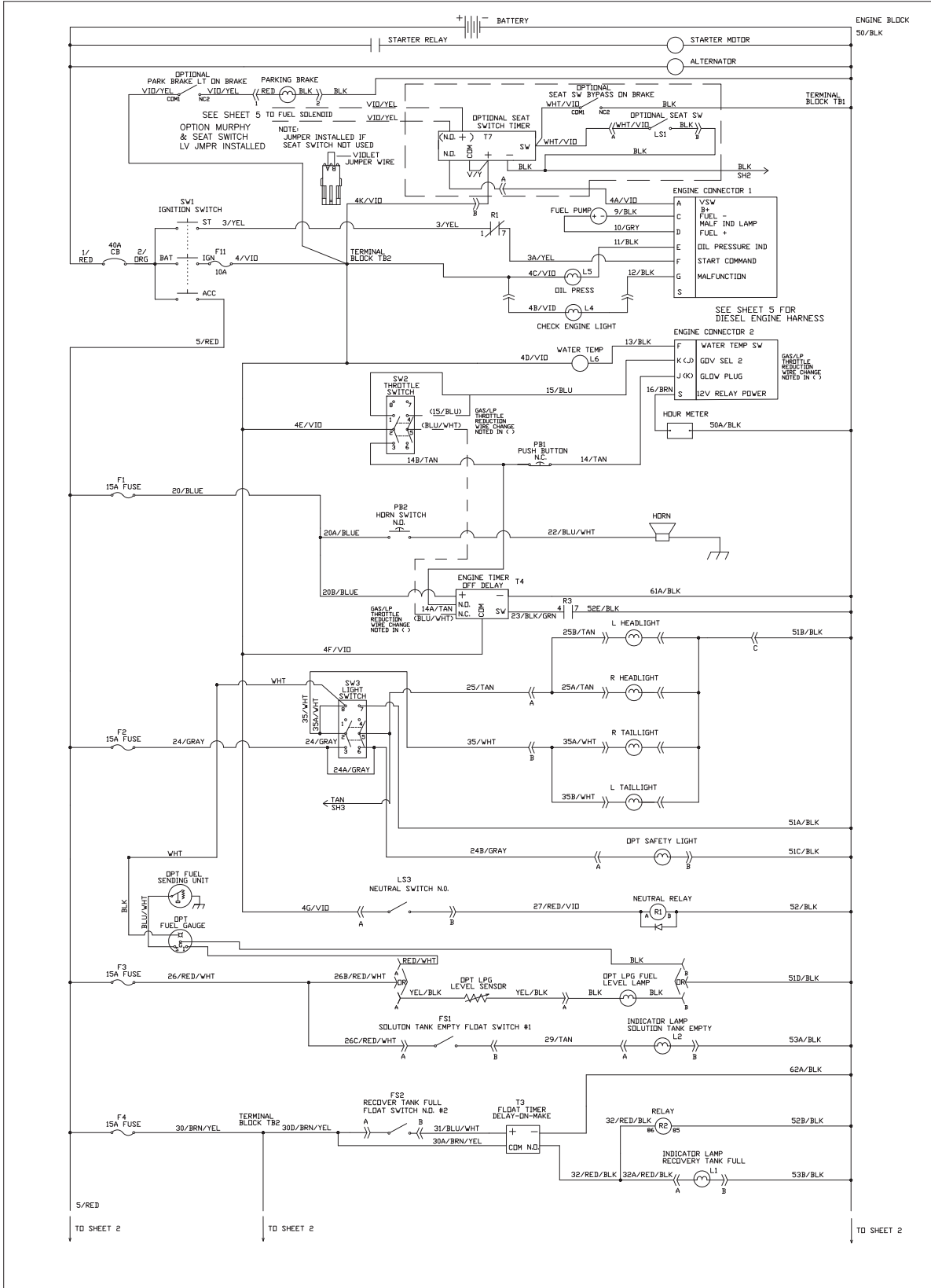
**MISCELLANEOUS ADDITIONAL OPTIONS**

730019	OPT - SOFTSIDE CAB <i>(REPLACEMENT SNAPS 3400412)</i>
730044	OPT - SIPED TIRES
730045	OPT - PARKING BRAKE
730046	OPT - LH SIDE MIRROR
731467	OPT - NOISE REDUCTION

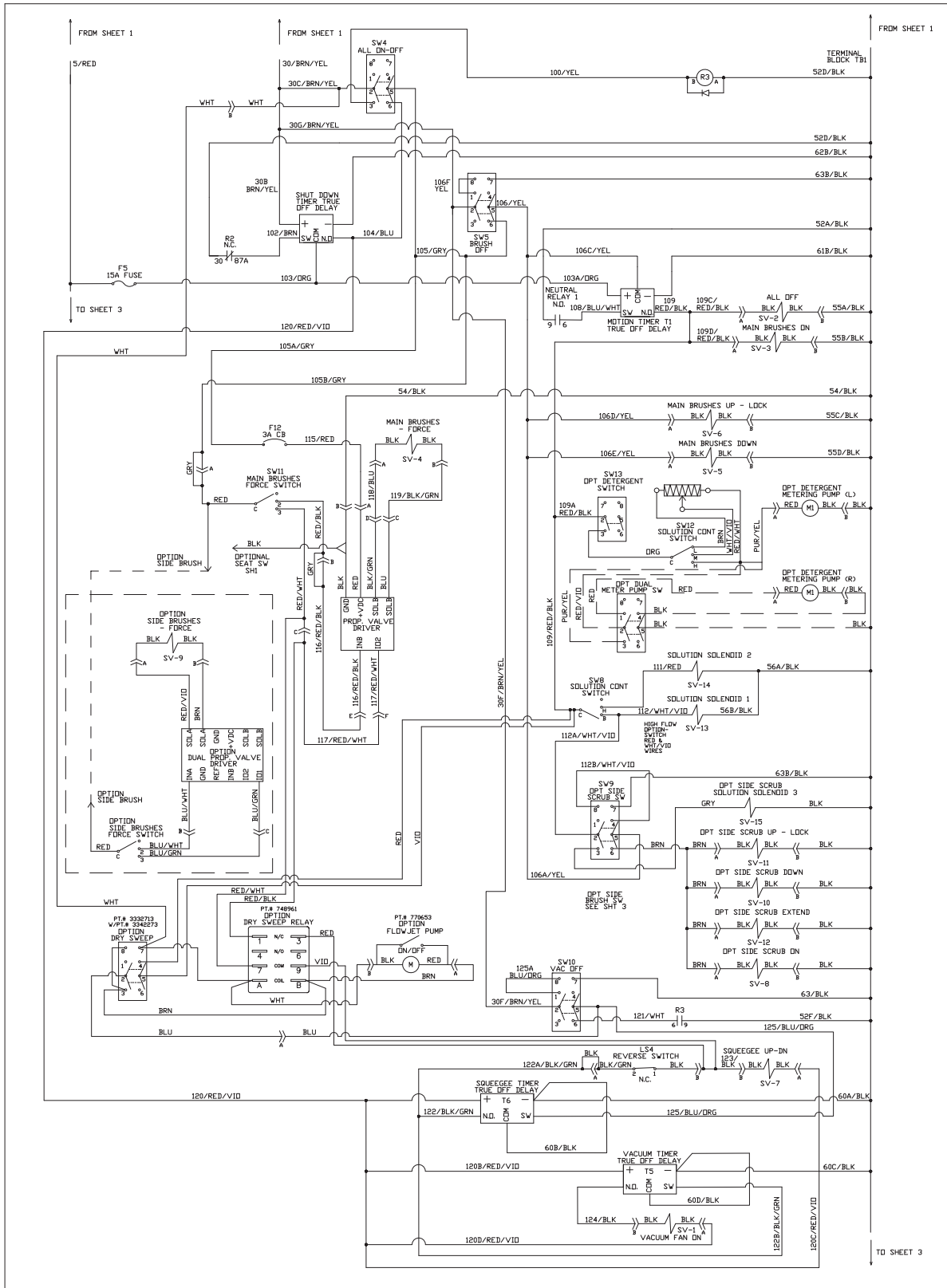
**THIS PAGE INTENTIONALLY LEFT BLANK**

## LAYOUTS - ELECTRICAL/HYDRAULIC

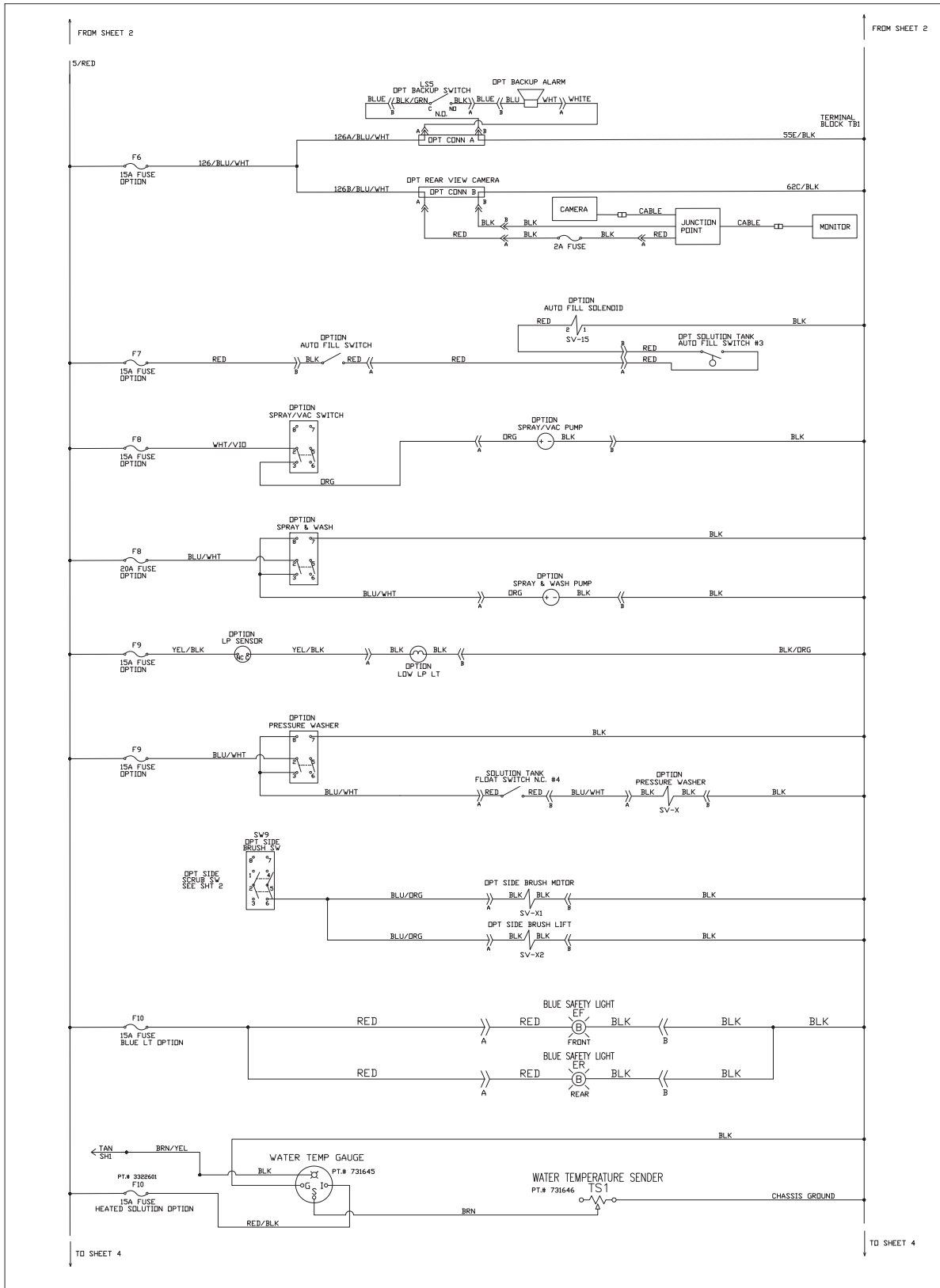
### ELECTRICAL SCHEMATIC LAYOUT



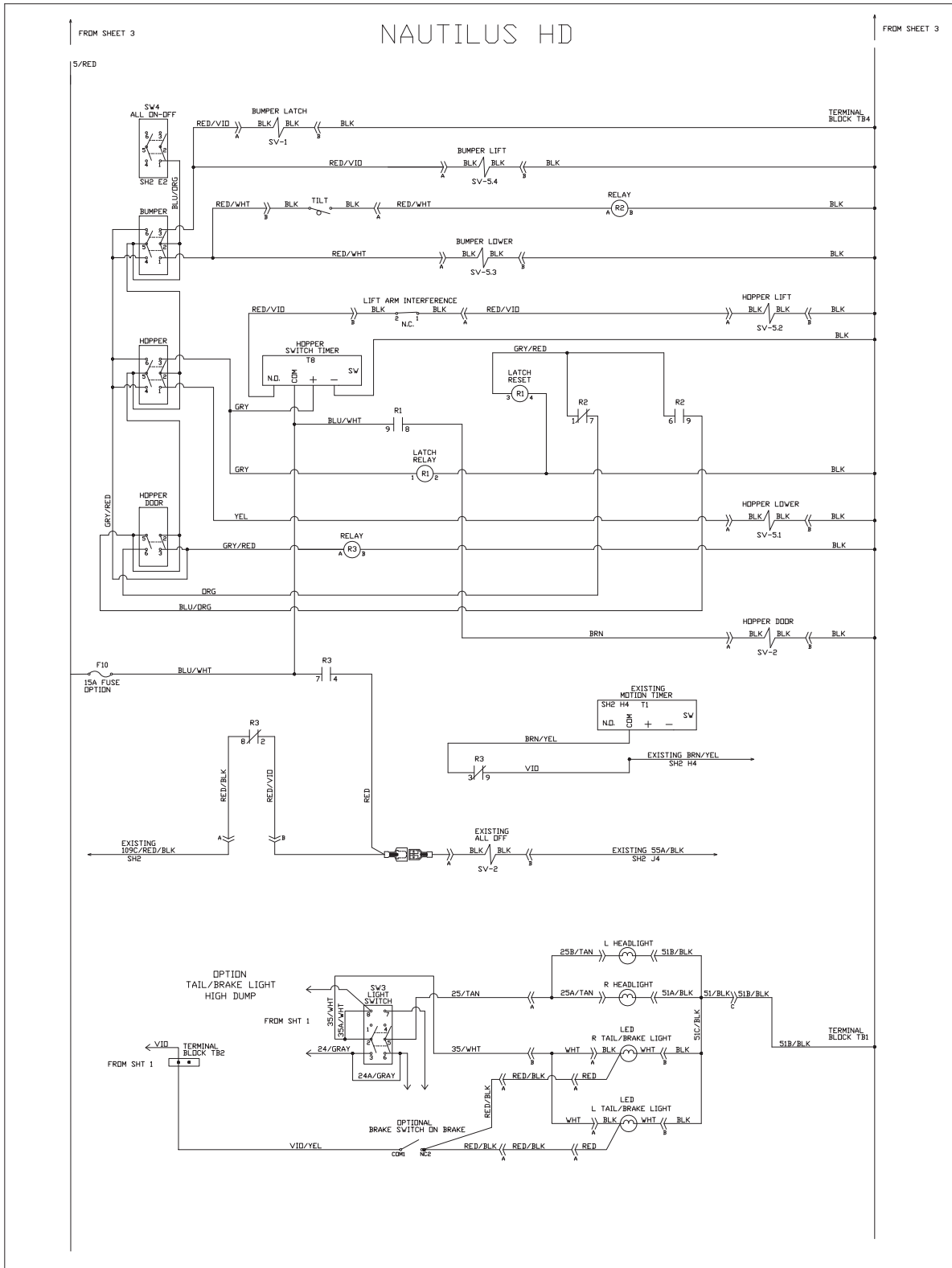
ELECTRICAL SCHEMATIC LAYOUT



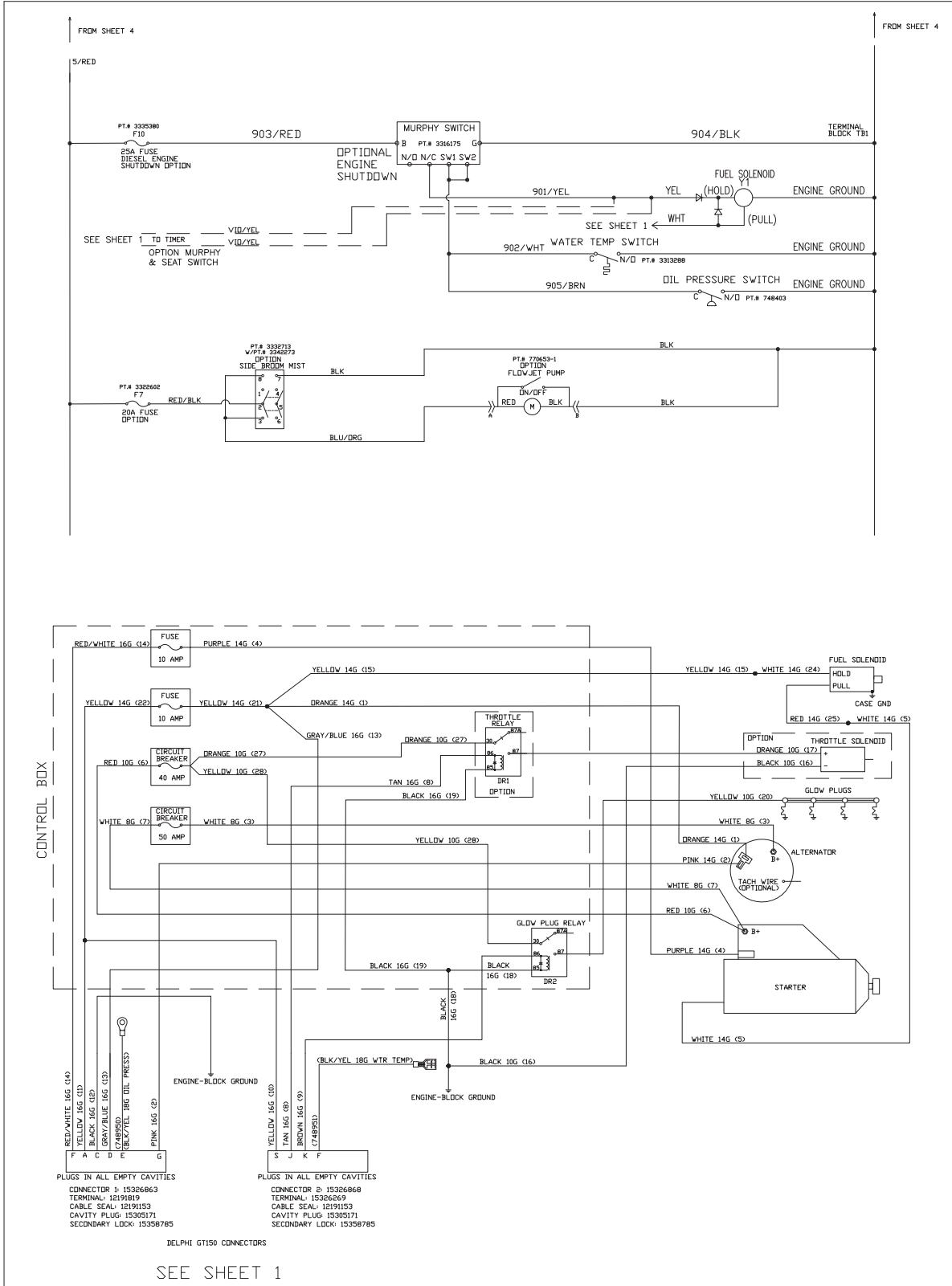
## ELECTRICAL SCHEMATIC LAYOUT



ELECTRICAL SCHEMATIC LAYOUT

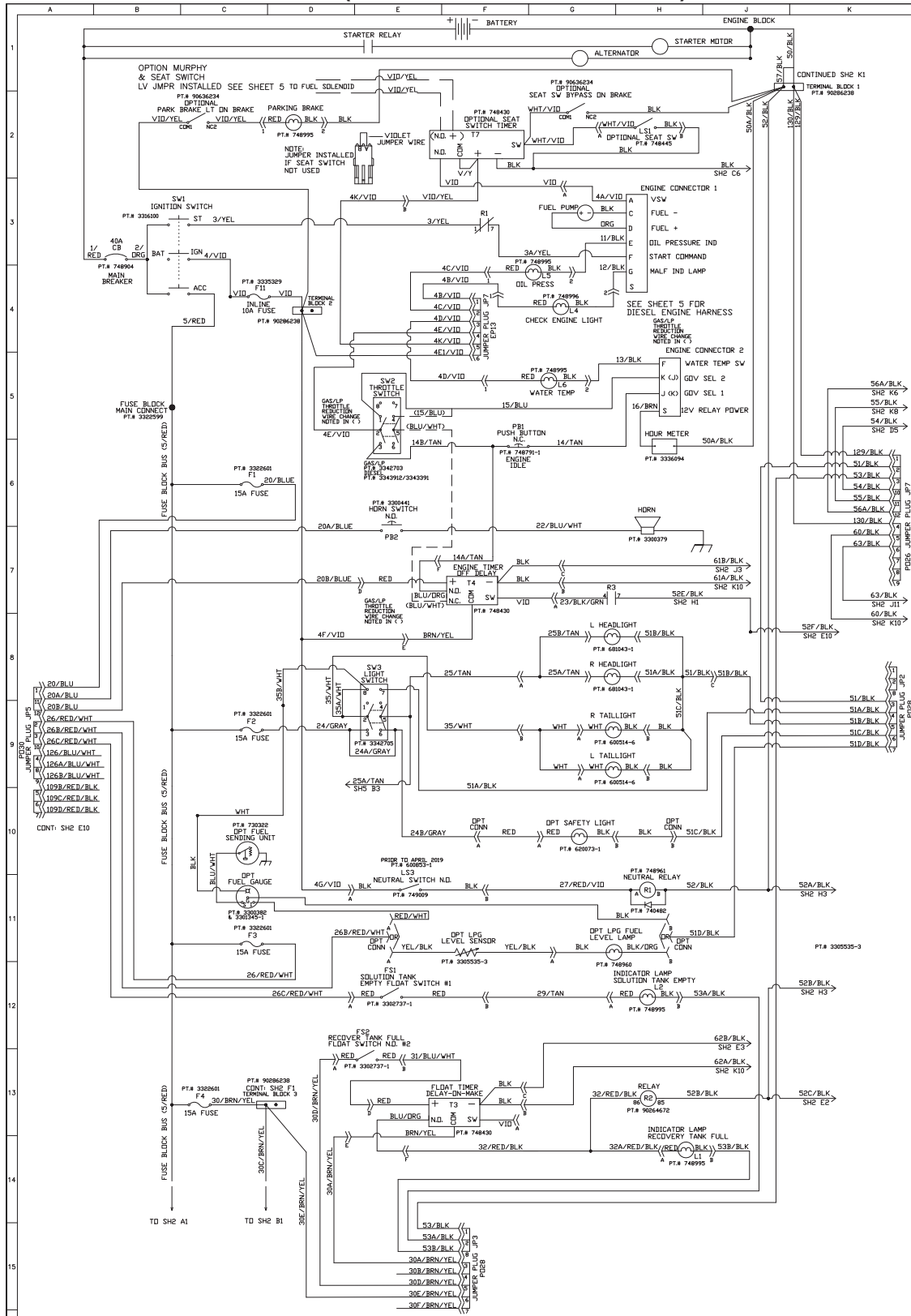


## ELECTRICAL SCHEMATIC LAYOUT





## ELECTRICAL SCHEMATIC LAYOUT (POINT TO POINT WIRING)

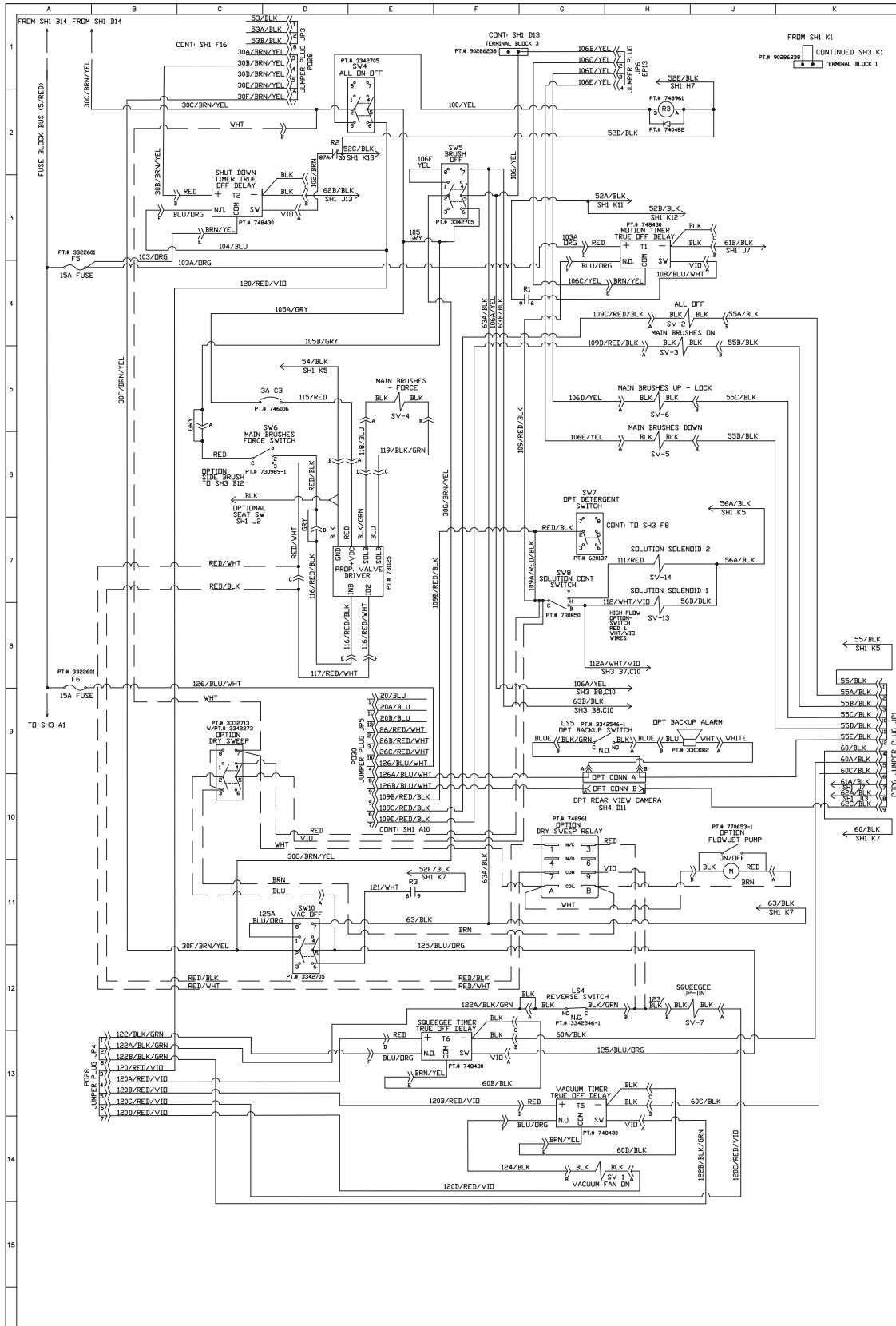


748992 REV K

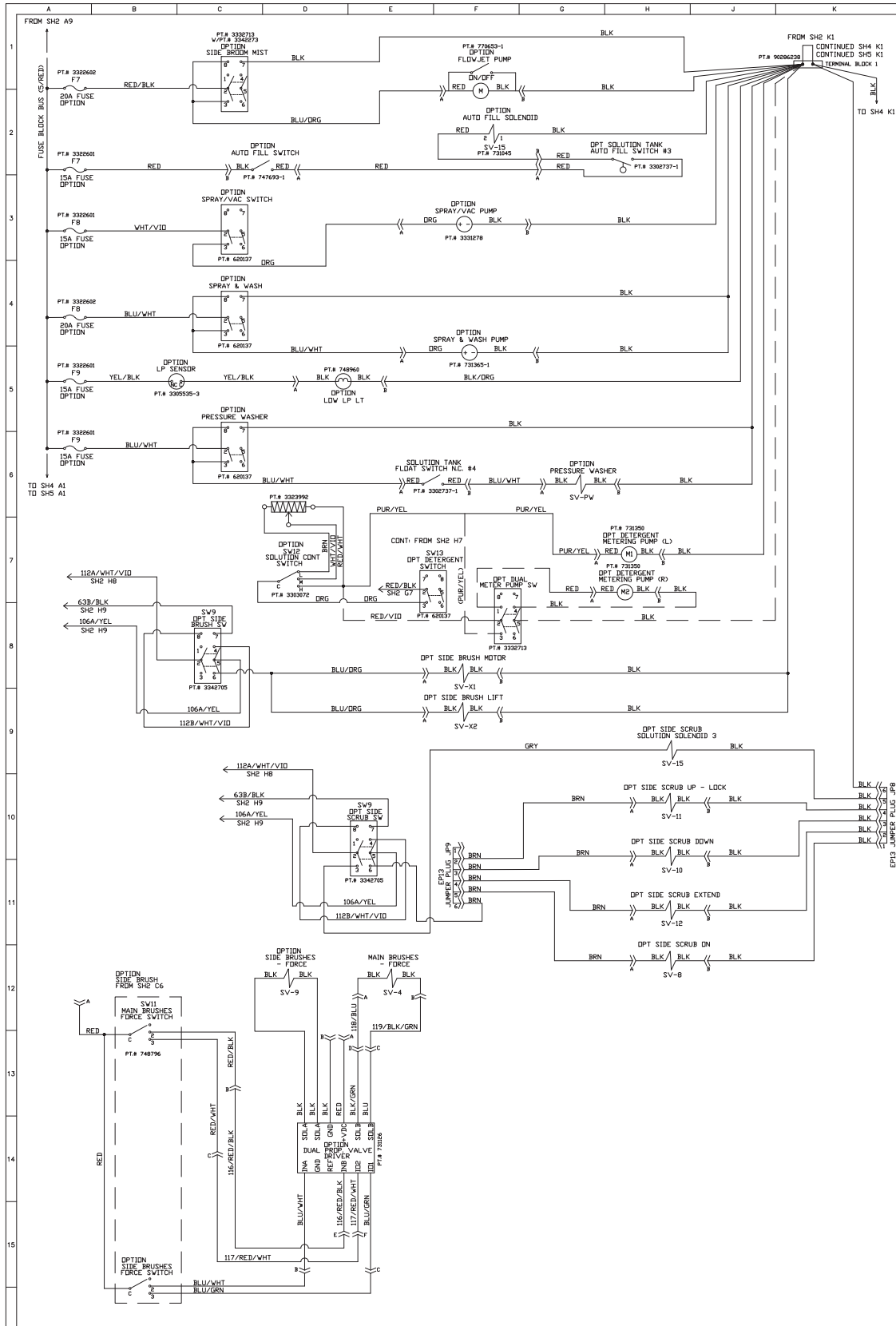
Nautilus Hi-Dump Rider Scrubber/Sweeper #988752 Rev. G 02/20

PowerBoss® Copyright 2014-2015

## ELECTRICAL SCHEMATIC LAYOUT (POINT TO POINT WIRING)

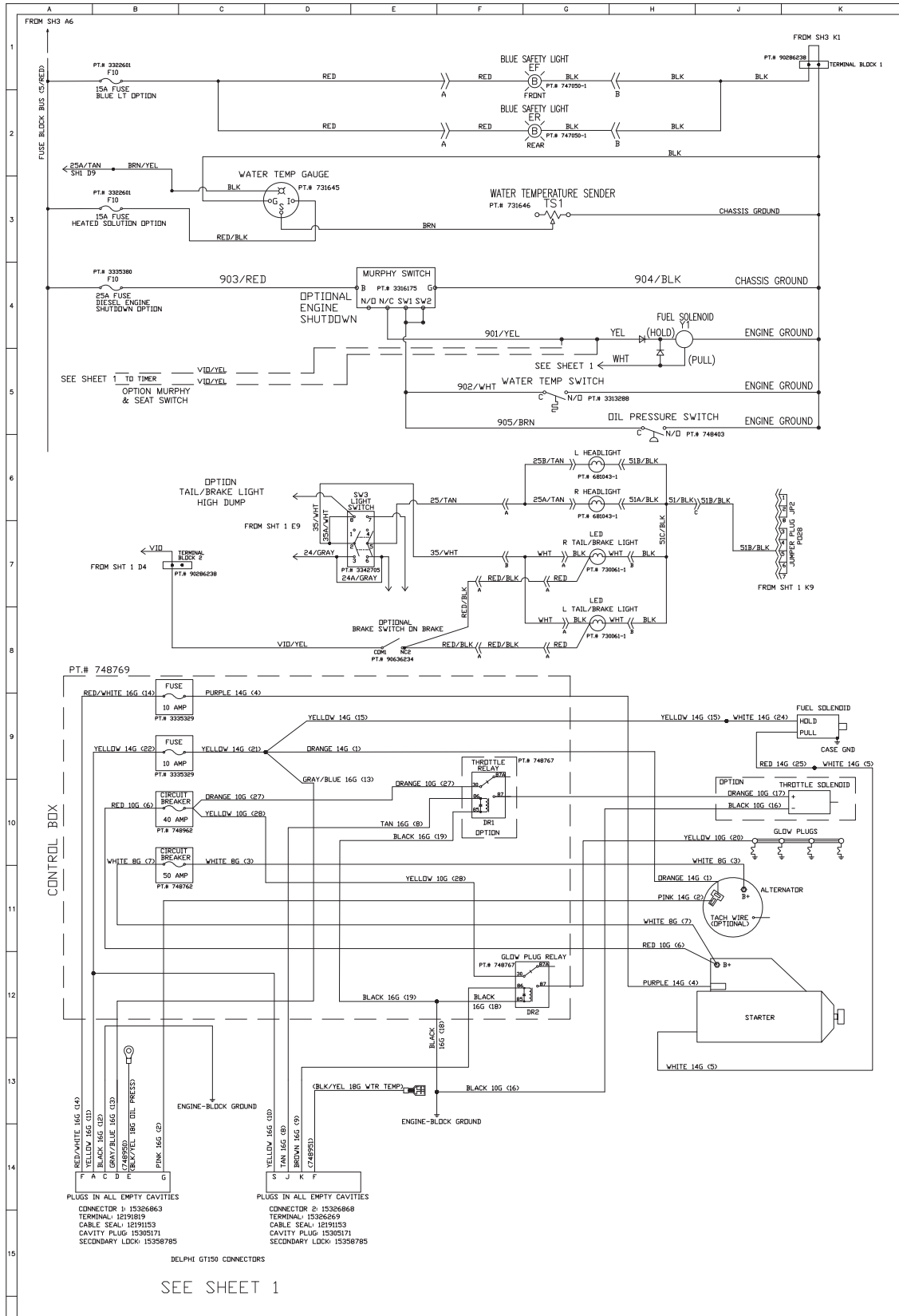


## ELECTRICAL SCHEMATIC LAYOUT (POINT TO POINT WIRING)

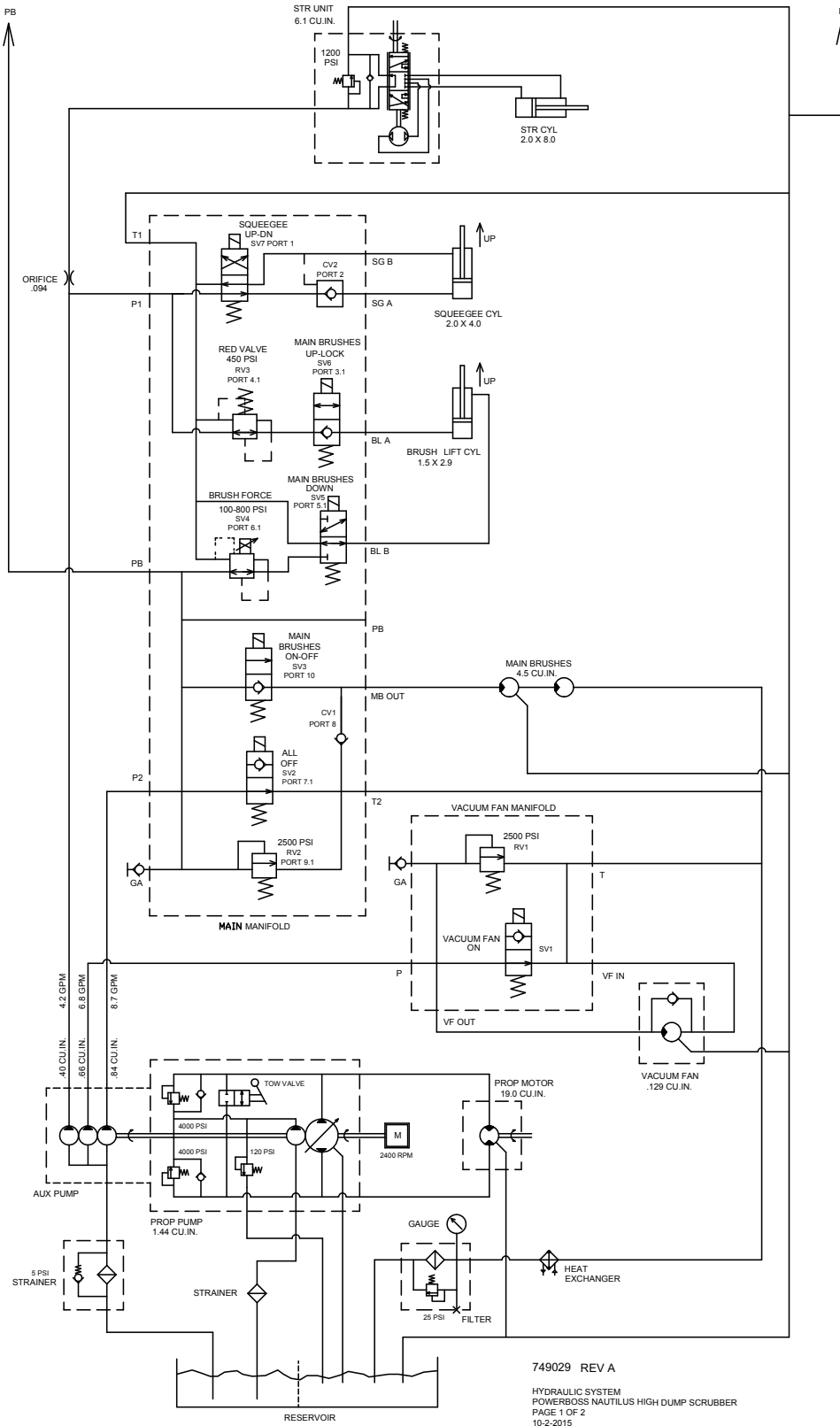




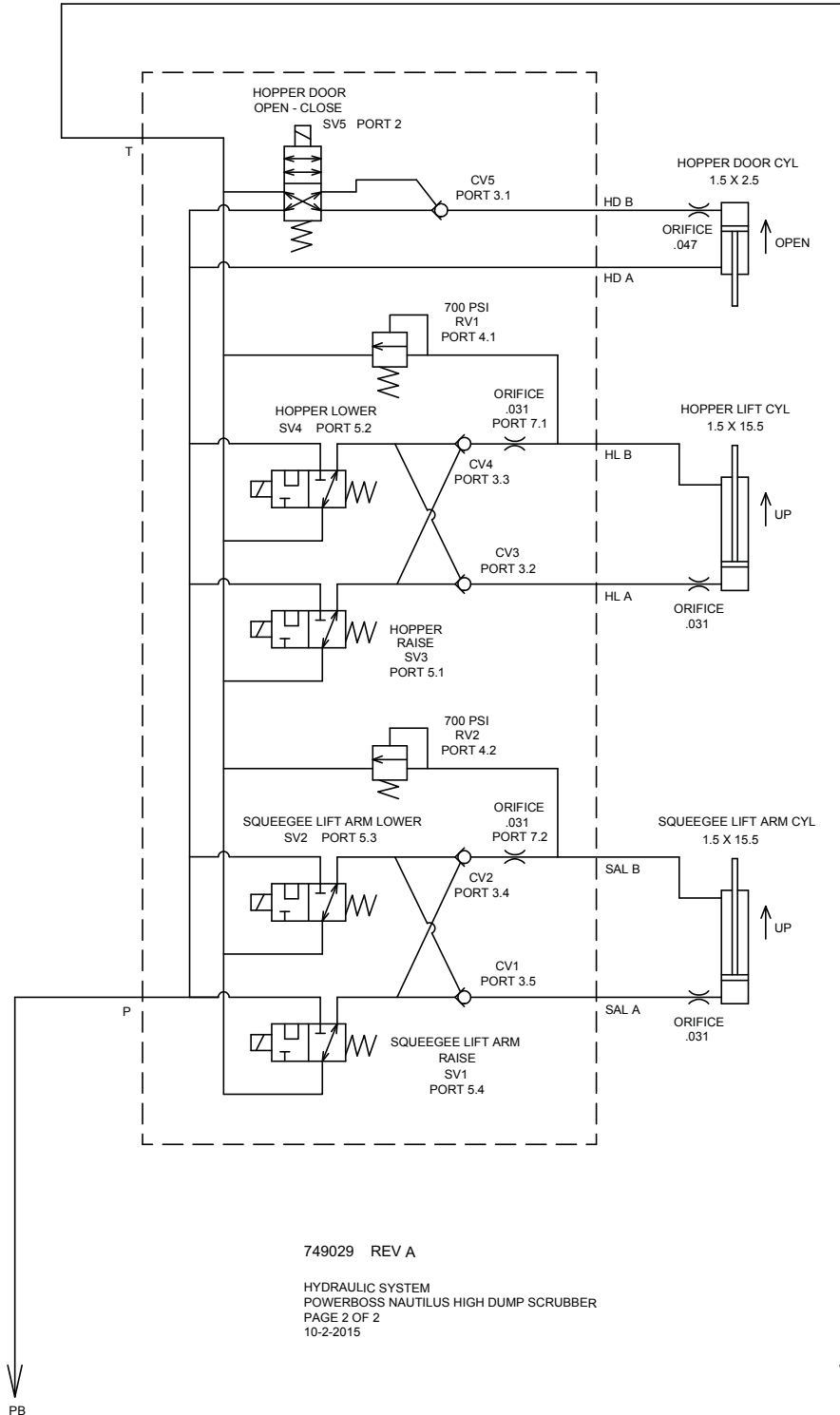
## ELECTRICAL SCHEMATIC LAYOUT (POINT TO POINT WIRING)



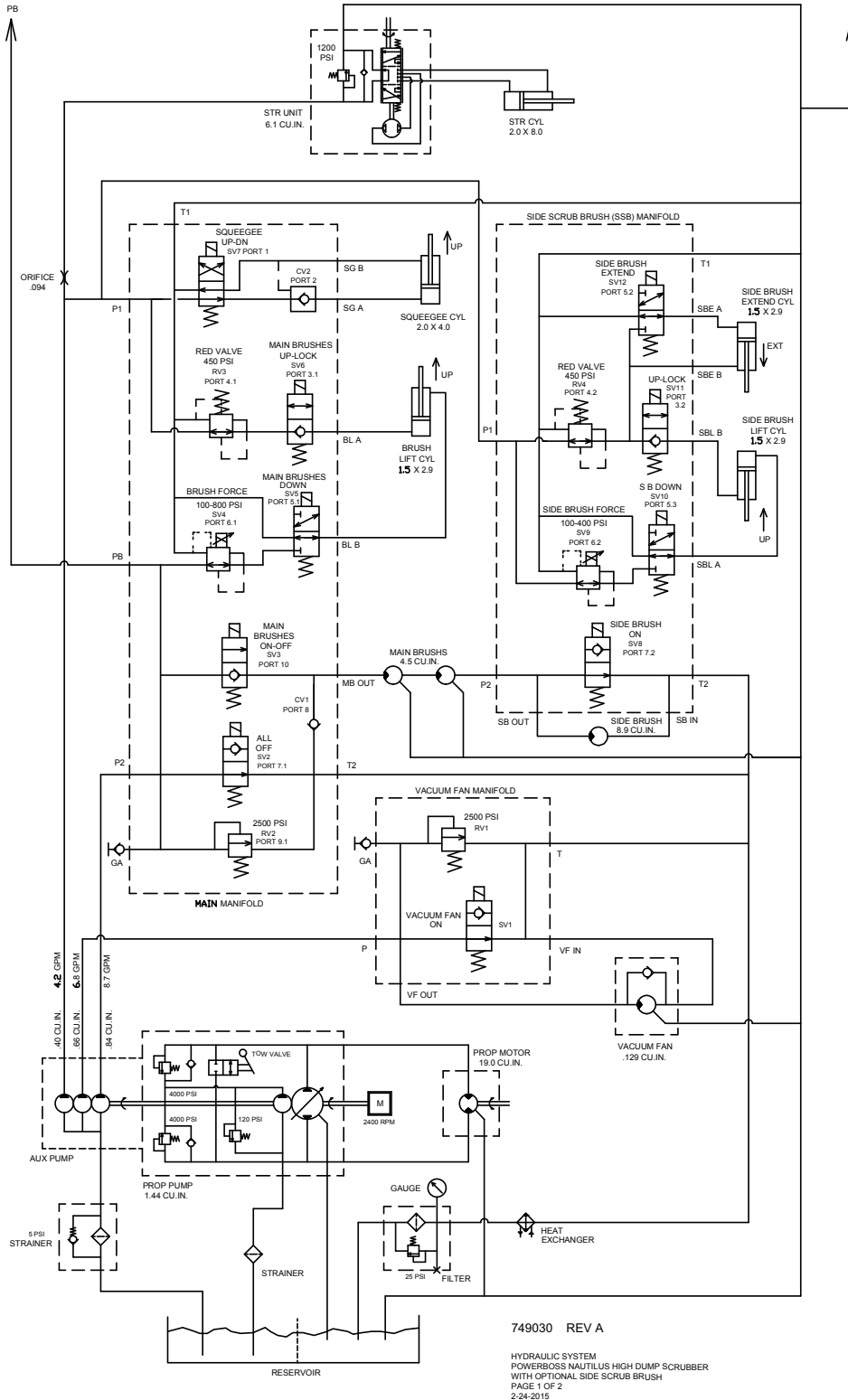
## HYDRAULIC SYSTEM LAYOUT



HYDRAULIC SYSTEM LAYOUT

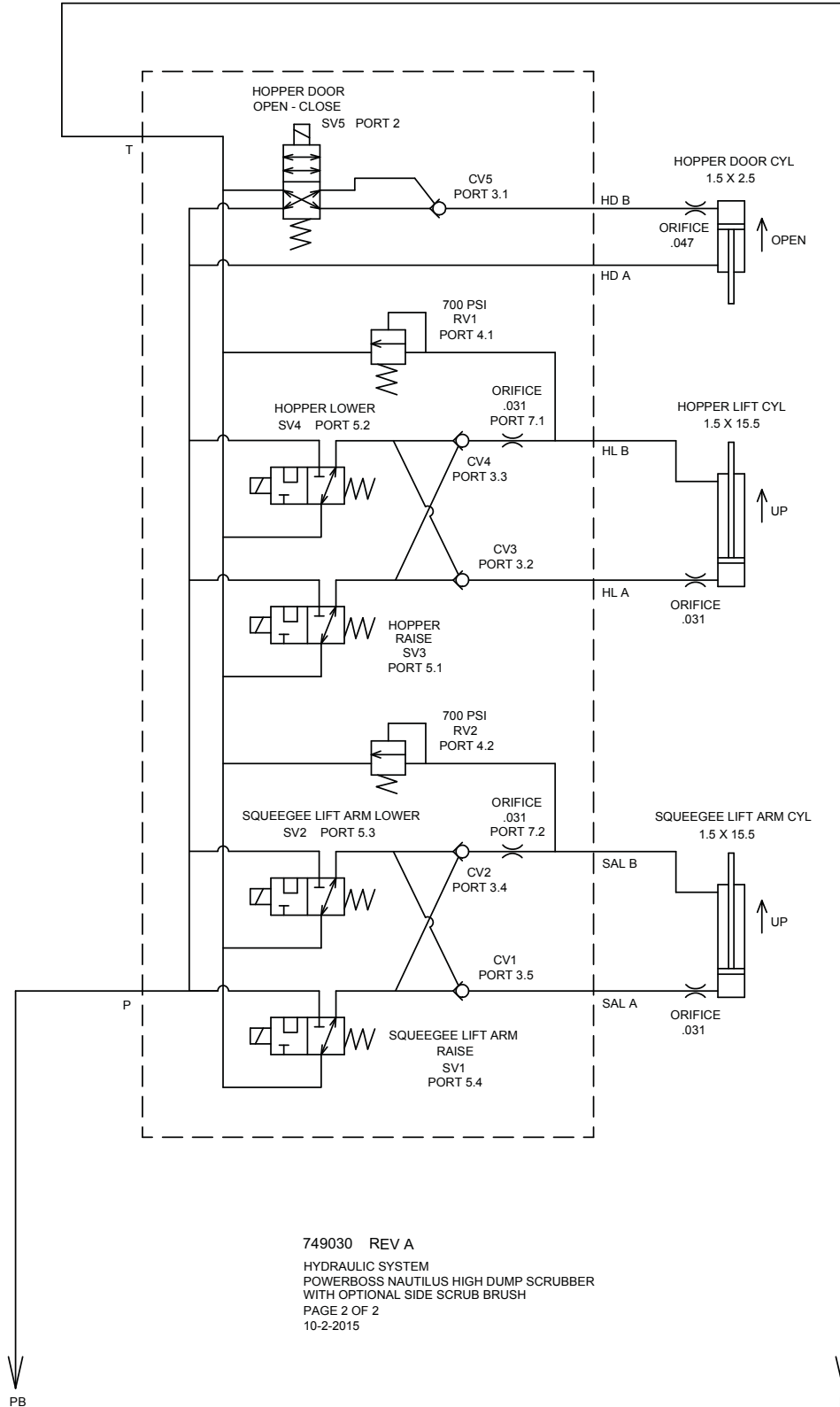


HYDRAULIC SYSTEM LAYOUT WITH OPTIONAL SIDE SCRUB BRUSH

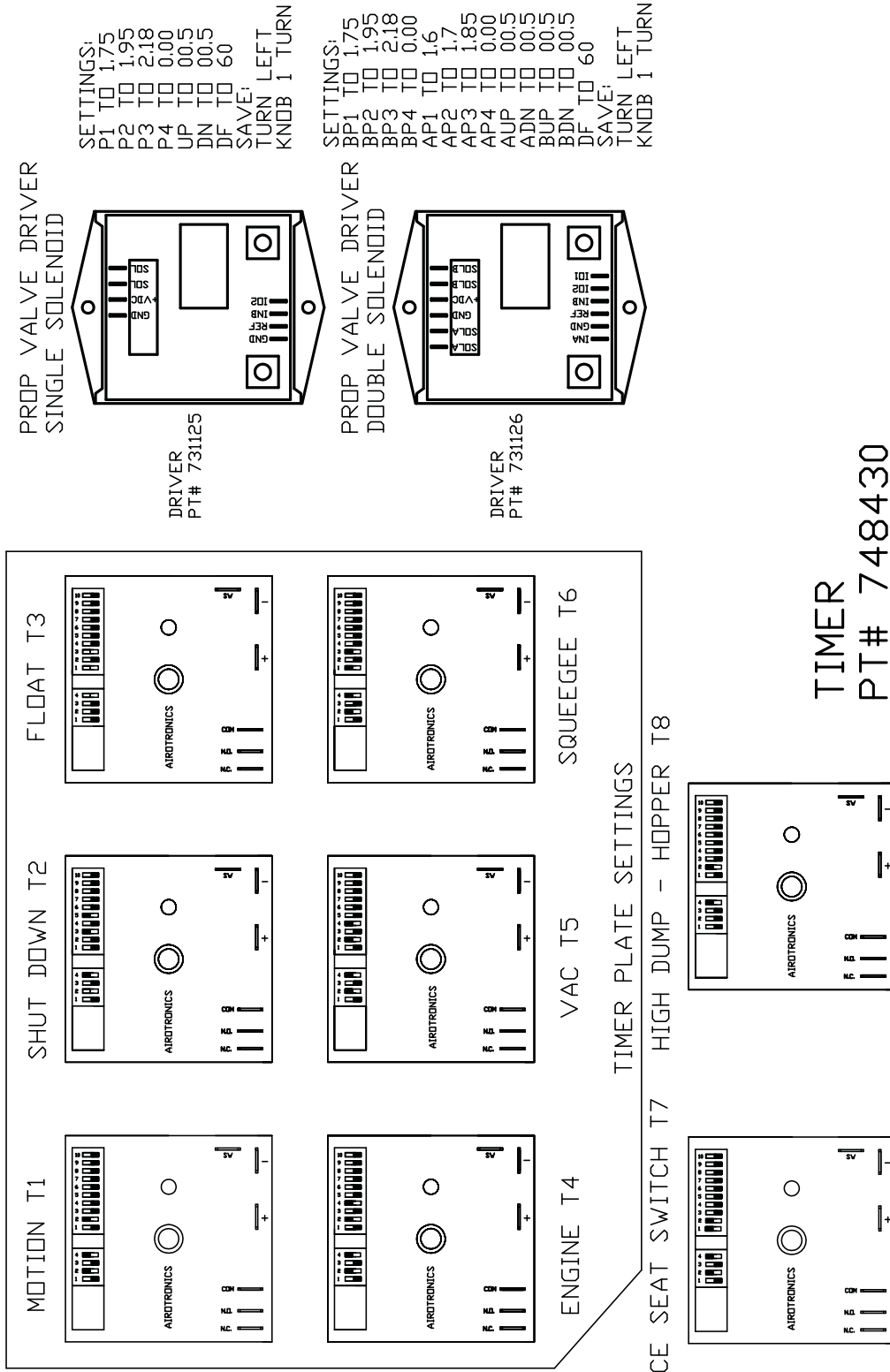




HYDRAULIC SYSTEM LAYOUT WITH OPTIONAL SIDE SCRUB BRUSH

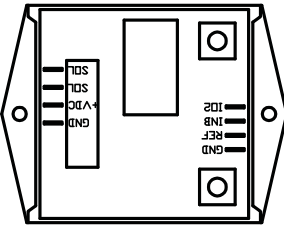


## TIMER DIP-SWITCH SETTINGS



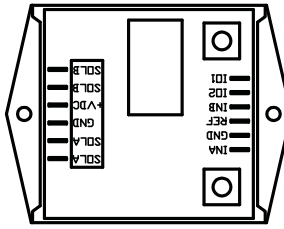
PROP VALVE DRIVER  
SINGLE SOLENOID

SETTINGS:  
P1 TO 1.75  
P2 TO 1.95  
P3 TO 2.18  
P4 TO 0.00  
UP TO 00.5  
DN TO 00.5  
DF TO 60  
SAVE:  
TURN LEFT  
KNOB 1 TURN



PROP VALVE DRIVER  
DOUBLE SOLENOID

SETTINGS:  
BP1 TO 1.75  
BP2 TO 1.95  
BP3 TO 2.18  
BP4 TO 0.00  
AP1 TO 1.6  
AP2 TO 1.7  
AP3 TO 1.85  
AP4 TO 0.00  
AUP TO 00.5  
ADN TO 00.5  
BUP TO 00.5  
BDN TO 00.5  
DF TO 60  
SAVE:  
TURN LEFT  
KNOB 1 TURN





*PowerBoss*<sup>®</sup>  
*The Power of Clean*

***“The Power of Clean”***

**PowerBoss® is a Full Line Manufacturer of Sweepers and Scrubbers,  
for Industrial Facilities.**

PowerBoss®, Minuteman International, Inc. 14N845 U.S. Route 20 Pingree Grove, Illinois 60140  
Phone: 800-323-9420 [www.PowerBoss.com](http://www.PowerBoss.com) Email: [tech@powerboss.com](mailto:tech@powerboss.com)

**A Member of the Hako Group**

Nautilus Hi-Dump Rider Scrubber/Sweeper #988752 Rev. G 02/20

PowerBoss® Copyright 2014-2015